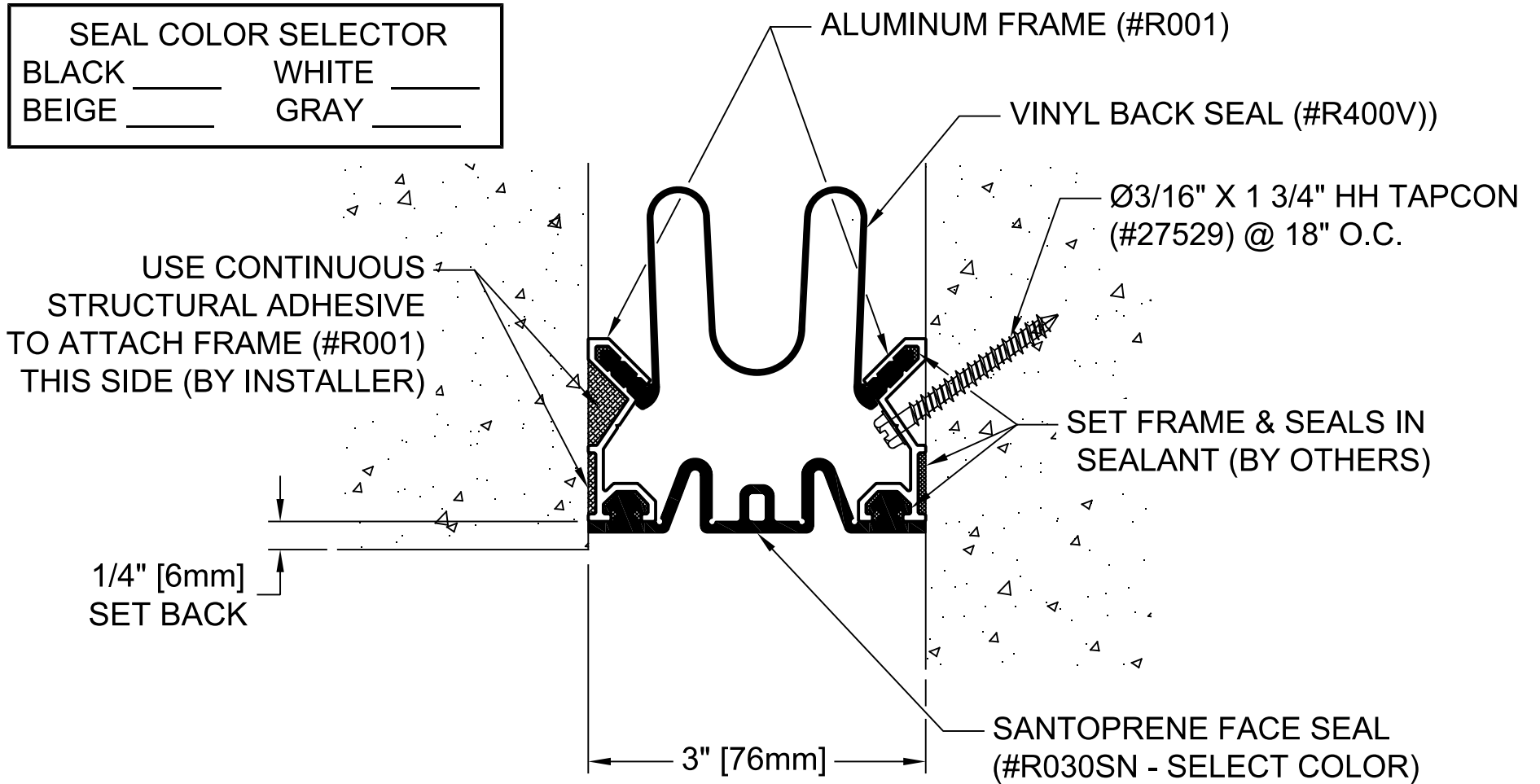



SEAL COLOR SELECTOR
 BLACK _____ WHITE _____
 BEIGE _____ GRAY _____



EXTERIOR WALL RECESSED APPLICATION

MOVEMENT: +/- 50% NOMINAL JOINT WIDTH
 STOCK LENGTHS: ALUMINUM FRAMES: 10'
 SEAL: CONTINUOUS

| | | | |
|---|-----------|--|---------------------|
| PROJECT: | | | |
| ARCHITECT: | | | |
| CONTRACTOR: | | | |
| QTY: | | | |
| PART#: | | EJN-EWN-300W | |
|  9300 73 rd Ave N., Minneapolis, MN 554428 800-547-2635 info@nystrom.com | | TITLE: SEISMIC ELASTOMERIC WALL SYSTEM EXTERIOR RECESSED APPLICATION | |
| NAME | DATE | SIZE | DWG. NO. |
| DRAWN JPK | 1/03/2023 | A | EJN-EWN-300W |
| RELEASED | | WEIGHT: | SHEET 1 OF 1 |