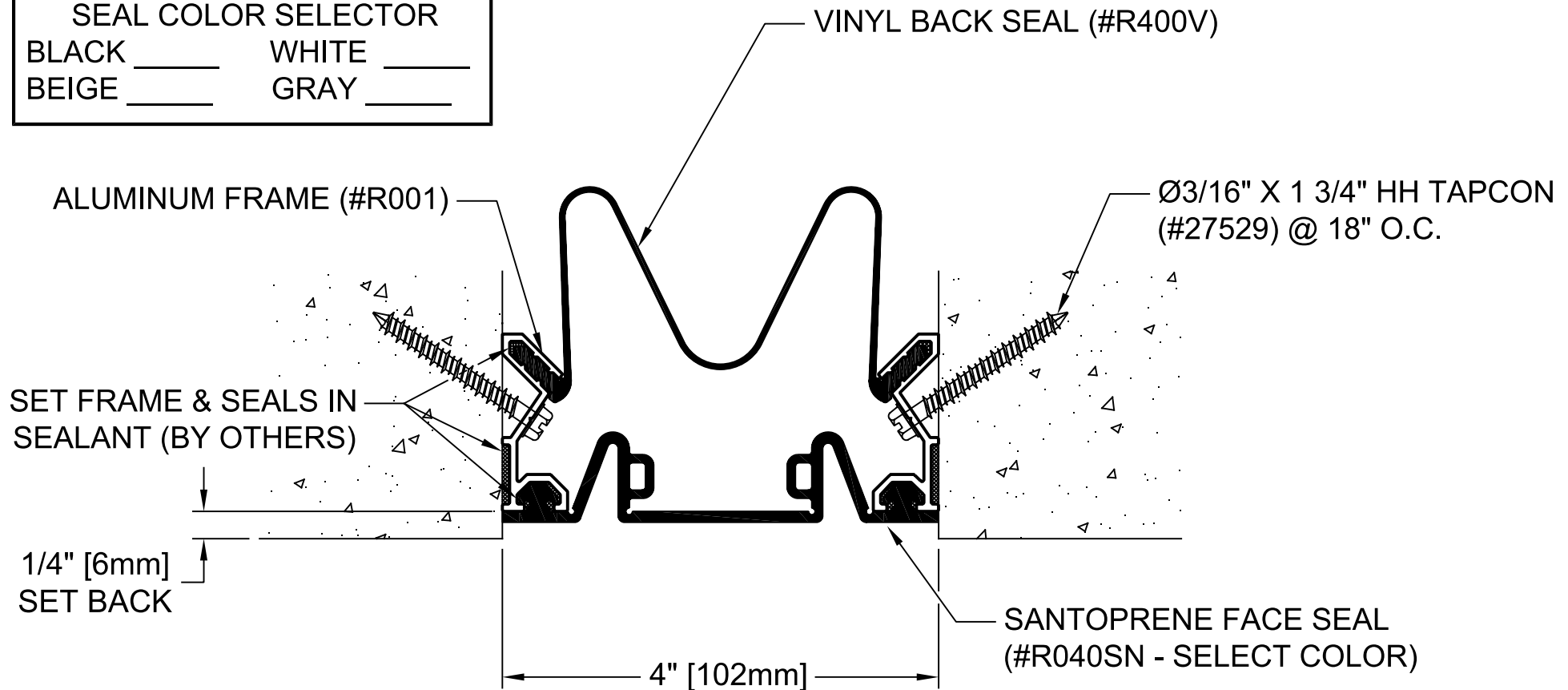


**SEAL COLOR SELECTOR**  
 BLACK \_\_\_\_\_ WHITE \_\_\_\_\_  
 BEIGE \_\_\_\_\_ GRAY \_\_\_\_\_




**EXTERIOR WALL RECESSED APPLICATION**

MOVEMENT: +/- 50% NOMINAL JOINT WIDTH

STOCK LENGTHS: ALUMINUM FRAMES: 10'

SEAL: CONTINUOUS

PROJECT:			
ARCHITECT:			
CONTRACTOR:			
QTY:			
PART#:		EJN-EWN-400	
 9300 73 <sup>rd</sup> Ave N., Minneapolis, MN 554428 800-547-2635 info@nystrom.com		TITLE: SEISMIC ELASTOMERIC WALL SYSTEM EXTERIOR RECESSED APPLICATION	
NAME	DATE	SIZE	DWG. NO.
DRAWN JPK	1/03/2023	A	<b>EJN-EWN-400</b>
RELEASED		WEIGHT:	SHEET 1 OF 1