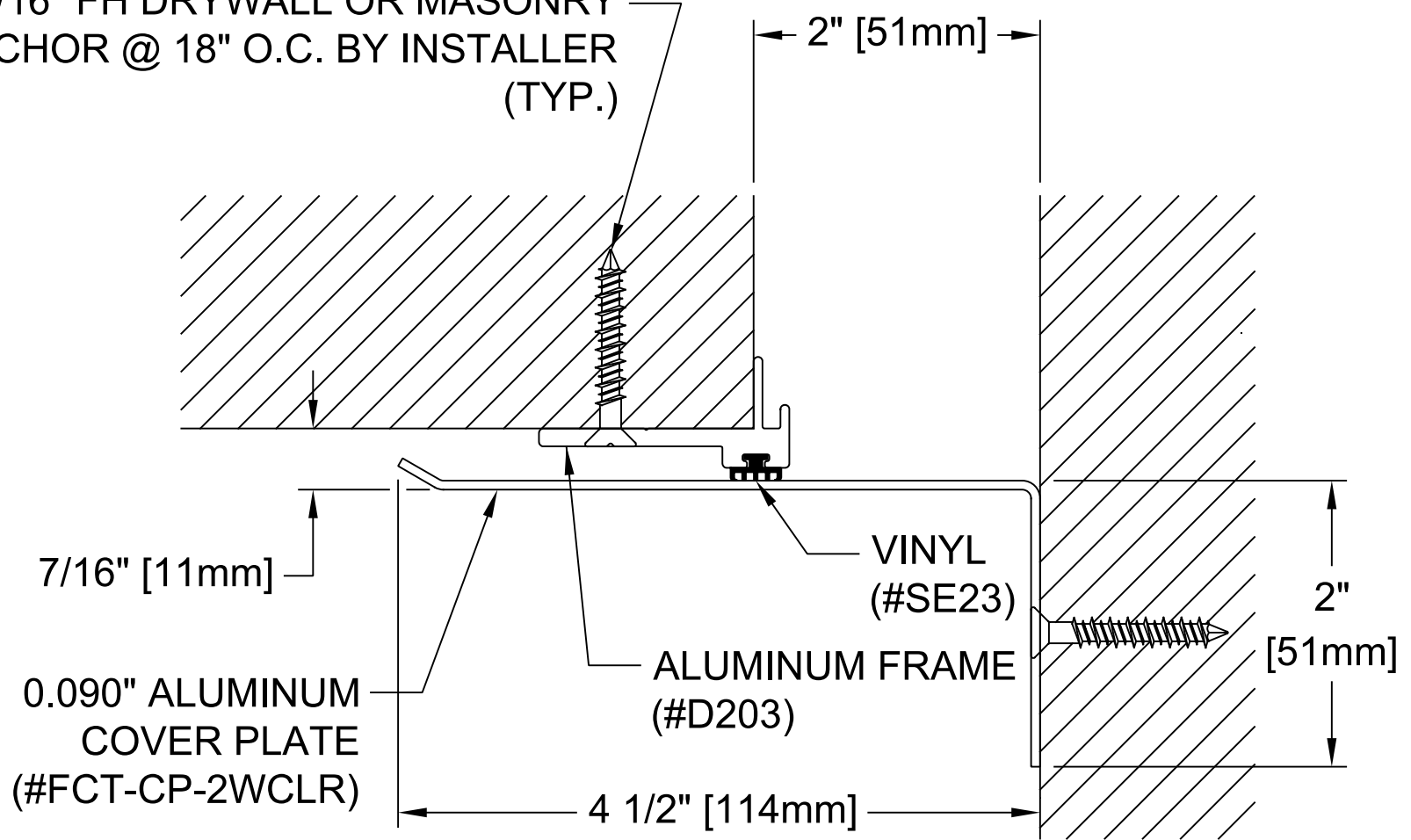



Ø3/16" FH DRYWALL OR MASONRY ANCHOR @ 18" O.C. BY INSTALLER (TYP.)



**INTERIOR WALL & CEILING SURFACE APPLICATION**

EXPOSED FINISH: CLEAR ANODIZED  
MOVEMENT: +/- 25% JOINT WIDTH  
STOCK LENGTHS: 10'-0"

PROJECT:				
ARCHITECT:				
CONTRACTOR:				
QTY:				
PART#:		EJN-FCT-200W		
 9300 73rd Ave N., Minneapolis, MN 55428 800-547-2635 info@nystrom.com		TITLE: SEISMIC ALUMINUM WALL & CEILING SYSTEM SURFACE APPLICATION		
NAME	DATE	SIZE	DWG. NO.	REV
DRAWN	JPK	01/31/24	<b>EJN-FCT-200W</b>	<b>A</b>
RELEASED			WEIGHT:	SHEET 1 OF 1

PROPRIETARY AND CONFIDENTIAL: THE INFORMATION CONTAINED IN THIS DRAWING, IS SOLE PROPERTY OF NYSTROM. ANY REPRODUCTION IN PART OR AS A WHOLE, WITHOUT THE WRITTEN PERMISSION OF NYSTROM, IS PROHIBITED. © 2020 NYSTROM, INC.