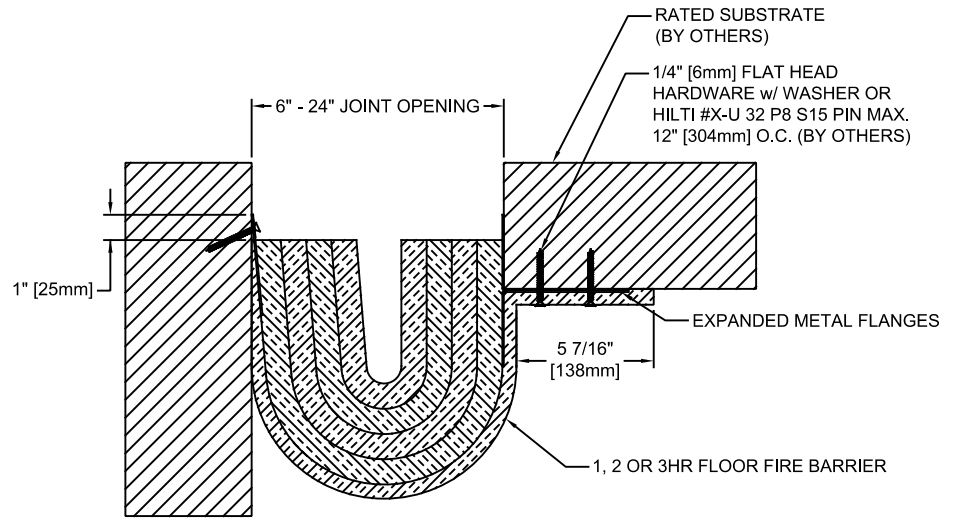


**EJN-FLF-BM SERIES**



**EJN-FLF/w-BM SERIES**

**EXAMPLE P/N'S**

- 2HR RATING — { (6" JOINT OPENING : P/N = EJN-FLF-600-BM)  
(10" JOINT OPENING : P/N = EJN-FLF-1000-BM)  
(24" JOINT OPENING : P/N = EJN-FLF-2400-BM)
- 3HR RATING — { (6" JOINT OPENING : P/N = EJN-FLF-600-BM-3HR)  
(10" JOINT OPENING : P/N = EJN-FLF-1000-BM-3HR)  
(24" JOINT OPENING : P/N = EJN-FLF-2400-BM-3HR)

**EXAMPLE P/N'S**

- 2HR RATING — { (6" JOINT OPENING : P/N = EJN-FLF-600W-BM)  
(10" JOINT OPENING : P/N = EJN-FLF-1000W-BM)  
(24" JOINT OPENING : P/N = EJN-FLF-2400W-BM)
- 3HR RATING — { (6" JOINT OPENING : P/N = EJN-FLF-600W-BM-3HR)  
(10" JOINT OPENING : P/N = EJN-FLF-1000W-BM-3HR)  
(24" JOINT OPENING : P/N = EJN-FLF-2400W-BM-3HR)


**SEISMIC FIRE BARRIER FLOOR SYSTEM - BOTTOM MOUNT APPLICATION**

- MOVEMENT: +/- 50% (TOTAL = 100%)
- STOCK LENGTHS:  
: 6" - 24" JOINT OPENINGS = 4 FT (1.2M) INCREMENTS
- RATED SUBSTRATE MUST BE IN COMPLIANCE WITH UL REQUIREMENTS (BY OTHERS)
- LISTED BY INTERTEK USA/CANADA 2HR RATING
- MEETS UL 2079, ULC S-115, ASTM E-1399 AND ASTM E-1966-01
- ALL SIZES ARE AVAILABLE WITH A 2HR AND 3HR RATING.

**THIS FIRE BARRIER IS TESTED WITH A METAL COVER. IN AREAS WHERE ONLY ELASTOMERIC OR NO COVERS ARE USED, WE CAN PROVIDE A STAINLESS-STEEL FOIL TO MAINTAIN THE RATING**



PROPRIETARY AND CONFIDENTIAL: THE INFORMATION CONTAINED IN THIS DRAWING, IS SOLE PROPERTY OF NYSTROM. ANY REPRODUCTION IN PART OR AS A WHOLE, WITHOUT THE WRITTEN PERMISSION OF NYSTROM, IS PROHIBITED. © 2020 NYSTROM, INC.

PROJECT:			
ARCHITECT:			
CONTRACTOR:			
QTY:			
PART#:		EJN-FLF-BM SERIES	
 9300 73 <sup>rd</sup> Ave N., Minneapolis, MN 55428 800-547-2635 info@nystrom.com		TITLE: SEISMIC FIRE BARRIER FLOOR SYSTEM 1, 2 & 3 HOUR RATED BOTTOM MOUNT APPLICATION	
NAME	DATE	SIZE	DWG. NO.
DRAWN JPK	03/13/24	A	<b>EJN-FLF-BM SERIES</b>
RELEASED		WEIGHT:	SHEET 1 OF 1