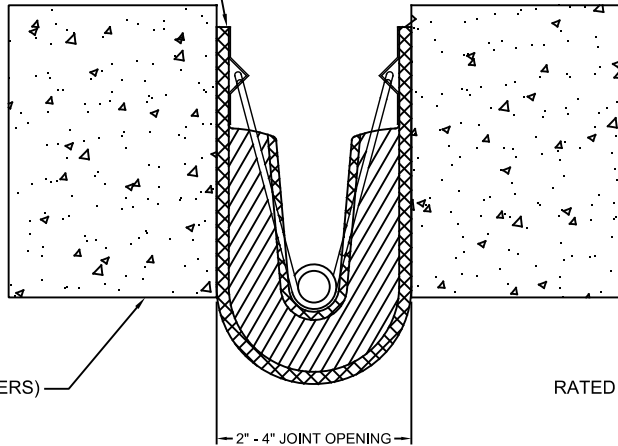


2HR FLOOR FIRE BARRIER



RATED SUBSTRATE (BY OTHERS)

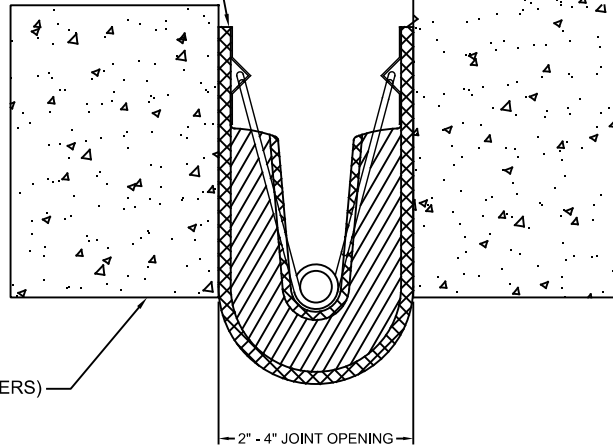
2" - 4" JOINT OPENING

EJN-FLF140 SERIES

- (2" JOINT OPENING : P/N = EJN-FLF140-200)
- (3" JOINT OPENING : P/N = EJN-FLF140-300)
- (4" JOINT OPENING : P/N = EJN-FLF140-400)

CORNER CONDITION

2HR FLOOR FIRE BARRIER



RATED SUBSTRATE (BY OTHERS)

2" - 4" JOINT OPENING

EJN-FLF140 SERIES

- (2" JOINT OPENING : P/N = EJN-FLF140-200)
- (3" JOINT OPENING : P/N = EJN-FLF140-300)
- (4" JOINT OPENING : P/N = EJN-FLF140-400)




SEISMIC FIRE BARRIER FLOOR SYSTEM

- HORIZONTAL MOVEMENT: +/- 50% (TOTAL = 100%)
- STOCK LENGTHS: 6.5 FT (2.0M) LENGTHS
- RATED SUBSTRATE MUST BE IN COMPLIANCE WITH UL REQUIREMENTS (BY OTHERS)
- LISTED BY INTERTEK USA/CANADA 2HR RATING
- MEETS UL 2079, ULC S-115, ASTM E-1399 AND ASTM E-1966-01

THIS FIRE BARRIER IS TESTED WITH A METAL COVER. IN AREAS WHERE ONLY ELASTOMERIC OR NO COVERS ARE USED, WE CAN PROVIDE A STAINLESS-STEEL FOIL TO MAINTAIN THE RATING

PROPRIETARY AND CONFIDENTIAL: THE INFORMATION CONTAINED IN THIS DRAWING, IS SOLE PROPERTY OF NYSTROM. ANY REPRODUCTION IN PART OR AS A WHOLE, WITHOUT THE WRITTEN PERMISSION OF NYSTROM, IS PROHIBITED. © 2020 NYSTROM, INC.

PROJECT:			
ARCHITECT:			
CONTRACTOR:			
QTY:			
PART#:		EJN-FLF140 SERIES	
 9300 73rd Ave N., Minneapolis, MN 55428 800-547-2635 info@nystrom.com		TITLE: SEISMIC FIRE BARRIER FLOOR SYSTEM INSIDE APPLICATION 2 HOUR RATED	
NAME	DATE	SIZE	DWG. NO.
DRAWN JPK	02/07/24	A	EJN-FLF140 SERIES
RELEASED		WEIGHT:	SHEET 1 OF 1