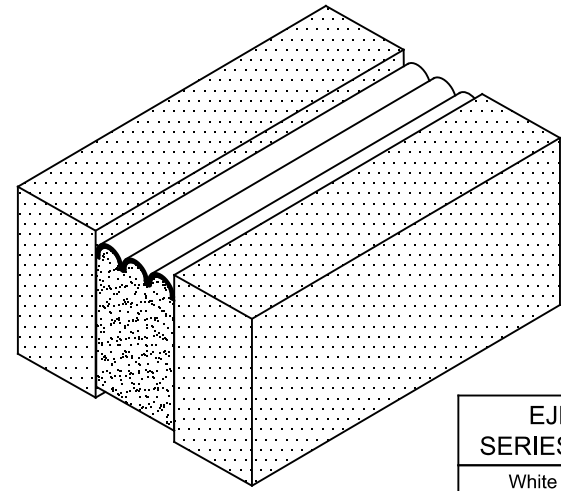
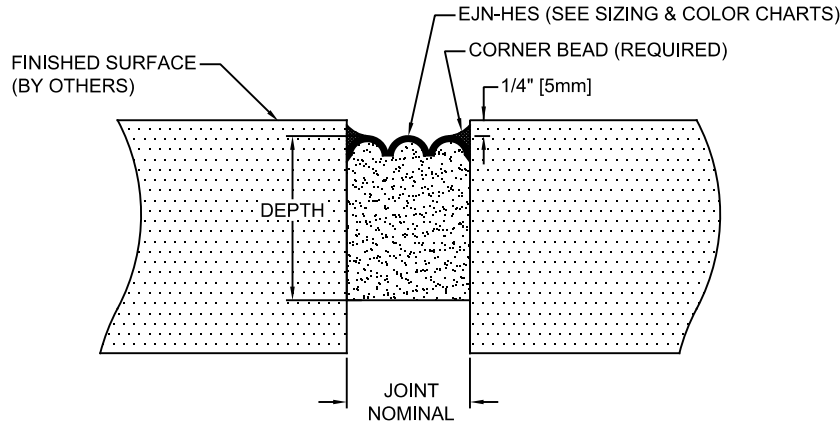


EJN-HES SERIES		
MODEL	JOINT NOMINAL	DEPTH
EJN-HES-050	1/2"	2"
EJN-HES-063	5/8"	2"
EJN-HES-075	3/4"	2"
EJN-HES-100	1"	2"
EJN-HES-200	2"	3"
EJN-HES-300	3"	3"
EJN-HES-400	4"	4"
EJN-HES-500	5"	4"
EJN-HES-600	6"	6"
EJN-HES-700	7"	6"
EJN-HES-800	8"	6"
EJN-HES-900	9"	8"
EJN-HES-1000	10"	8"

NOTE:  
1/4" SIZE INCREMENTS AVAILABLE,  
CONTACT YOUR NYSTROM REP.



EJN-HES SERIES COLORS
White
Precast White
Ivory
Sandstone
Buff
Off White
Limestone
Anodized Aluminum
Gray
Aluminum Stone
Light Bronze
Champagne
Dusty Rose
Adobe Tan
Rustic Brick
Charcoal
Bronze
Dark Bronze
Black



**VIEW DIFFERS DEPENDING ON PRODUCT SIZE**

**PRE-COMPRESSED FOAM HORIZONTAL APPLICATION**

- EXPOSED FINISH: (SEE COLOR CHART)
- MOVEMENT: +/- 50% NOMINAL JOINT WIDTH
- STOCK LENGTHS: 6.5 FT (2.0M) STICKS
- THIS PRODUCT IS SUPPLIED WITH EPOXY, FLEXIBLE SEAL, AND SILICONE.

PROPRIETARY AND CONFIDENTIAL: THE INFORMATION CONTAINED IN THIS DRAWING, IS SOLE PROPERTY OF NYSTROM. ANY REPRODUCTION IN PART OR AS A WHOLE, WITHOUT THE WRITTEN PERMISSION OF NYSTROM, IS PROHIBITED. © 2020 NYSTROM, INC.

PROJECT:			
ARCHITECT:			
CONTRACTOR:			
QTY:			
PART#:		EJN-HES	
 9300 73 <sup>rd</sup> Ave N., Minneapolis, MN 55428 800-547-2635 info@nystrom.com		TITLE: SEISMIC PRE-COMPRESSED HORIZONTAL FOAM SYSTEM RECESSED APPLICATION	
NAME	DATE	SIZE	DWG. NO.
DRAWN JPK	12/04/23	A	<b>EJN-HES</b>
RELEASED		WEIGHT:	SHEET 1 OF 1