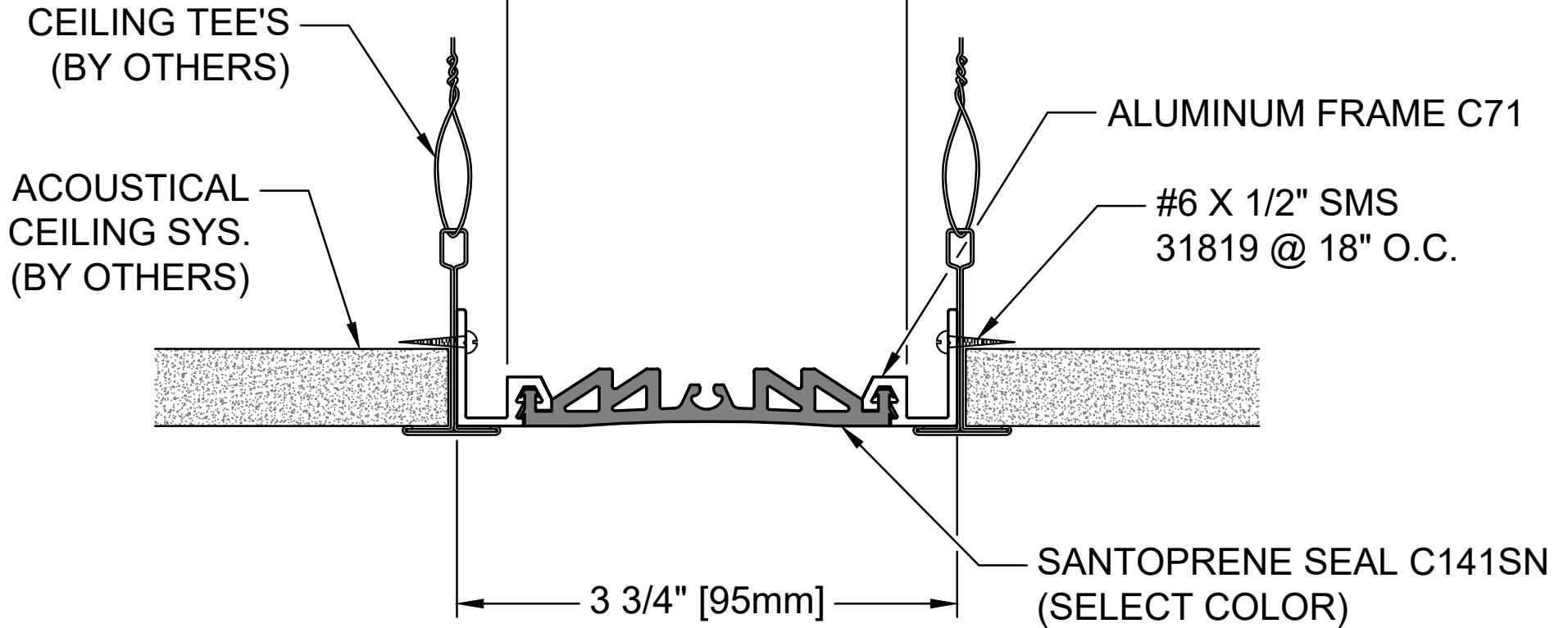


SEAL COLOR SELECTOR			
BLACK	_____	WHITE	_____
BEIGE	_____	GRAY	_____




ACOUSTICAL CEILING-CEILING FLAT SYSTEM

EXPOSED FINISH: MILL

MOVEMENT: +/-25% NOMINAL JOINT WIDTH

STOCK LENGTHS: 10'-0"

PROJECT:			
ARCHITECT:			
CONTRACTOR:			
QTY:			
PART#:		EJN-LCA-300	
 9300 73rd Ave. N, Minneapolis, MN 55428 (800)547-2635 info@nystrom.com		TITLE:	
		ARCHITECTURAL ELASTOMERIC ACOUSTICAL CEILING COVER SYSTEM	
NAME	DATE	SIZE	DWG. NO.
DRAWN LAP	05/09/22	A	EJN-LCA-300
RELEASED		WEIGHT:	SHEET 1 OF 1

PROPRIETARY AND CONFIDENTIAL: THE INFORMATION CONTAINED IN THIS DRAWING, IS SOLE PROPERTY OF NYSTROM. ANY REPRODUCTION IN PART OR AS A WHOLE, WITHOUT THE WRITTEN PERMISSION OF NYSTROM, IS PROHIBITED. © 2020 NYSTROM, INC.