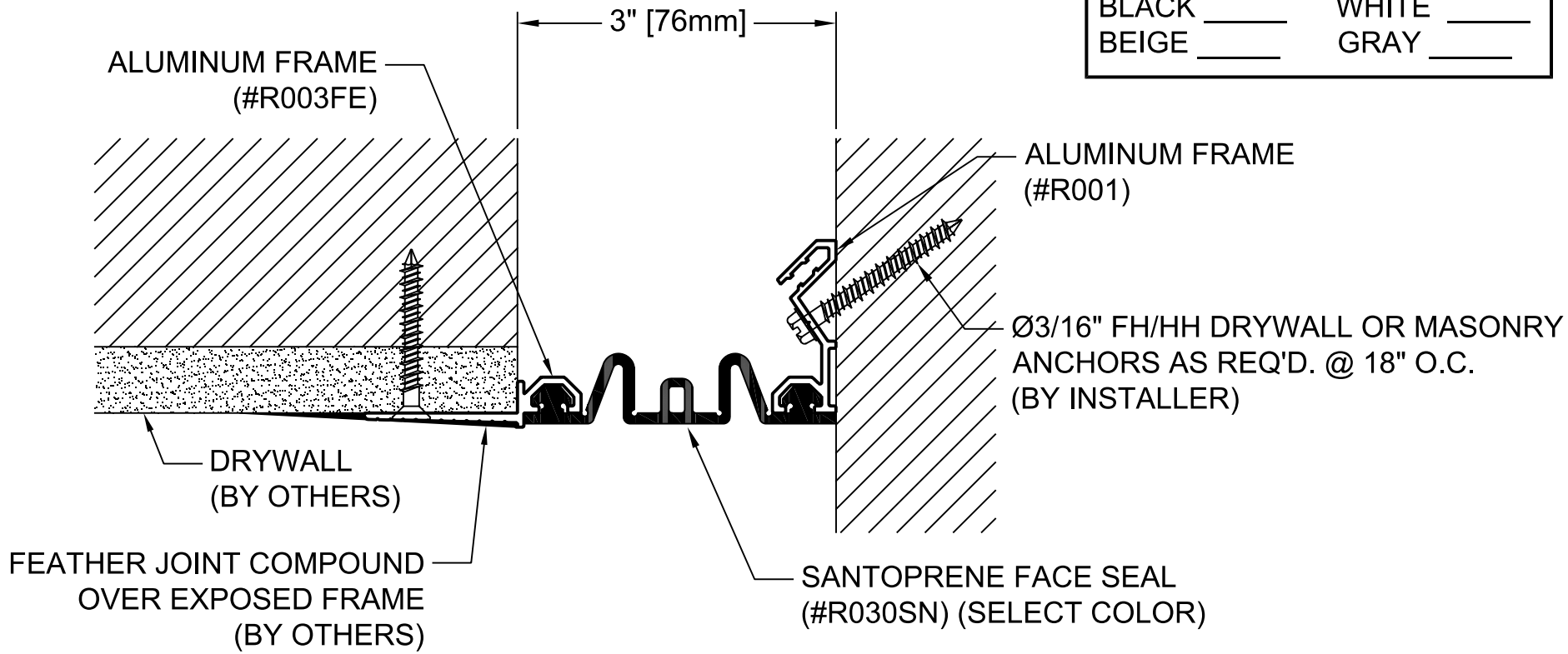



SEAL COLOR SELECTOR			
BLACK	_____	WHITE	_____
BEIGE	_____	GRAY	_____



INTERIOR WALL & CLG. DRYWALL BEAD APPLICATION

MOVEMENT: +/- 50% NOMINAL JOINT WIDTH
 STOCK LENGTHS: ALUMINUM FRAMES: 10'
 SEAL: CONTINUOUS

PROJECT:			
ARCHITECT:			
CONTRACTOR:			
QTY:			
PART#:		EJN-LCD-300W	
 9300 73 rd Ave N., Minneapolis, MN 554428 800-547-2635 info@nystrom.com		TITLE:	
		SEISMIC ELASTOMERIC CORRIDOR WALL & CEILING SYSTEM DRYWALL BEAD APPLICATION	
	NAME	DATE	SIZE
DRAWN	JPK	12/30/22	A
RELEASED			
DWG. NO.			REV
EJN-LCD-300W			A
WEIGHT:			SHEET 1 OF 1

PROPRIETARY AND CONFIDENTIAL: THE INFORMATION CONTAINED IN THIS DRAWING, IS SOLE PROPERTY OF NYSTROM. ANY REPRODUCTION IN PART OR AS A WHOLE, WITHOUT THE WRITTEN PERMISSION OF NYSTROM, IS PROHIBITED. © 2020 NYSTROM, INC.