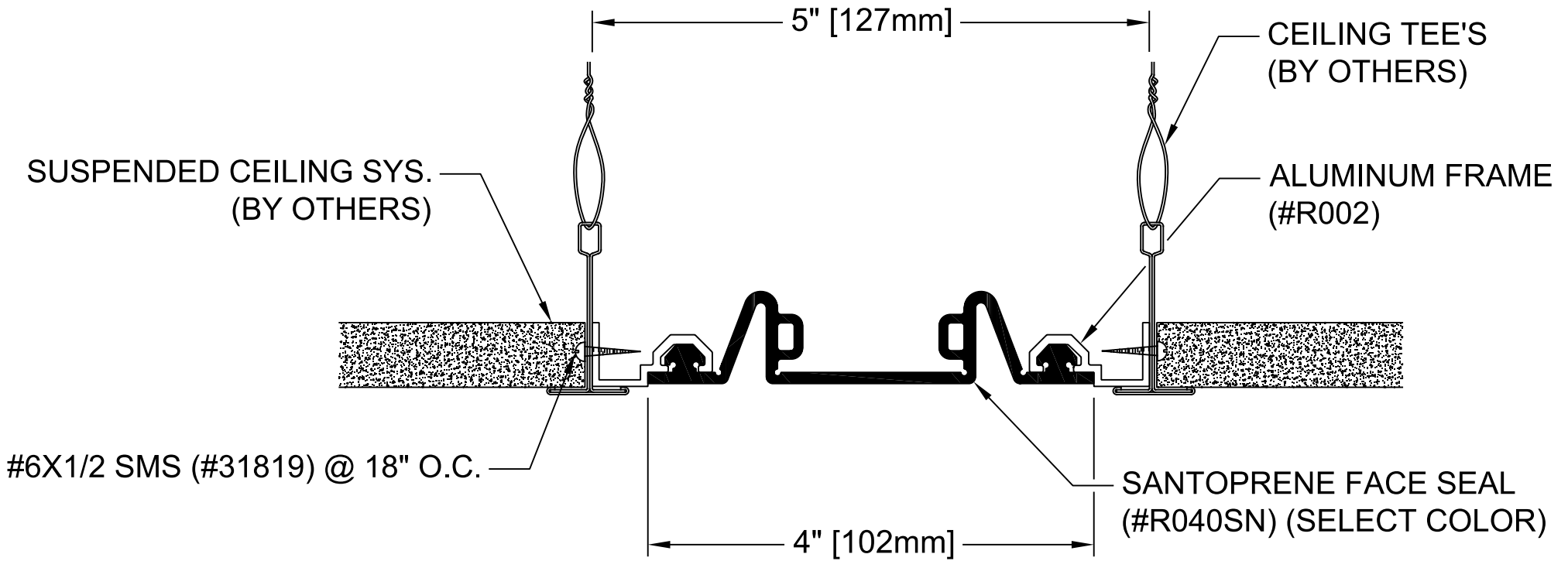



SEAL COLOR SELECTOR
 BLACK _____ WHITE _____
 BEIGE _____ GRAY _____



INTERIOR ACOUSTICAL TILE APPLICATION

MOVEMENT: +/- 50% NOMINAL JOINT WIDTH
 STOCK LENGTHS: ALUMINUM FRAMES: 10'
 SEAL: CONTINUOUS

PROJECT:		
ARCHITECT:		
CONTRACTOR:		
QTY:		
PART#:		EJN-LCE-400
 9300 73 rd Ave N., Minneapolis, MN 554428 800-547-2635 info@nystrom.com		TITLE: SEISMIC ELASTOMERIC CORRIDOR CEILING SYSTEM ACOUSTICAL TILE APPLICATION
NAME	DATE	SIZE
DRAWN JPK	03/20/23	A
RELEASED		
DWG. NO.		EJN-LCE-400
WEIGHT:		
SHEET 1 OF 1		REV A

PROPRIETARY AND CONFIDENTIAL: THE INFORMATION CONTAINED IN THIS DRAWING, IS SOLE PROPERTY OF NYSTROM. ANY REPRODUCTION IN PART OR AS A WHOLE, WITHOUT THE WRITTEN PERMISSION OF NYSTROM, IS PROHIBITED. © 2020 NYSTROM, INC.