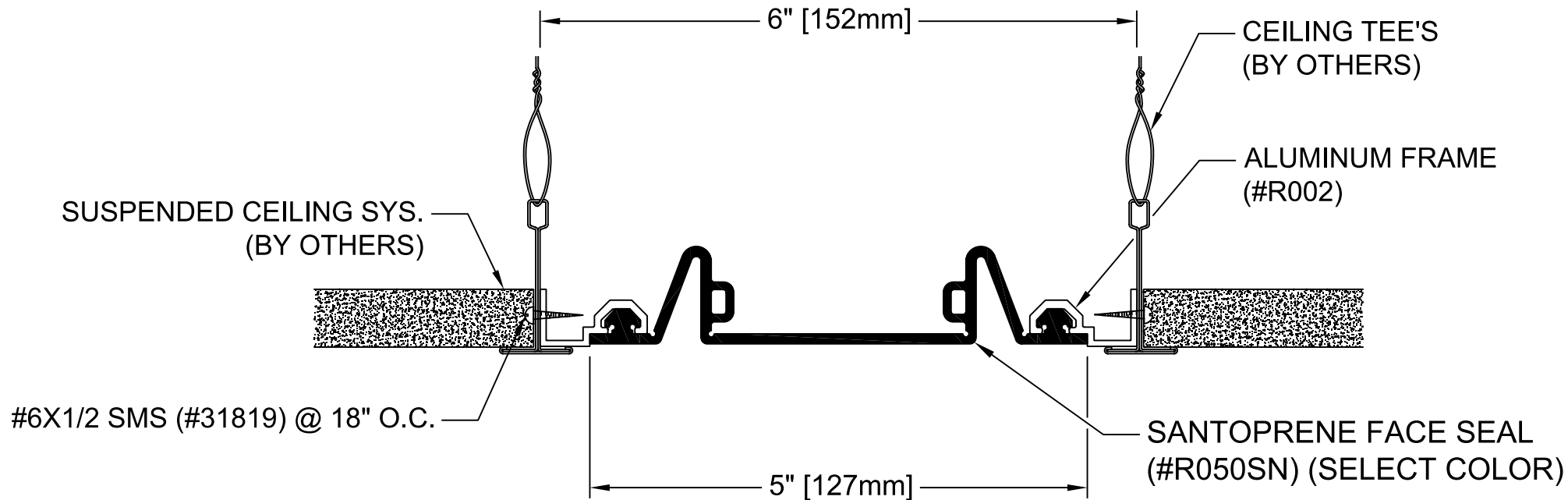



**SEAL COLOR SELECTOR**  
 BLACK \_\_\_\_\_ WHITE \_\_\_\_\_  
 BEIGE \_\_\_\_\_ GRAY \_\_\_\_\_



**INTERIOR ACOUSTICAL TILE APPLICATION**

MOVEMENT: +/- 50% NOMINAL JOINT WIDTH  
 STOCK LENGTHS: ALUMINUM FRAMES: 10'  
 SEAL: CONTINUOUS

PROJECT:			
ARCHITECT:			
CONTRACTOR:			
QTY:			
PART#:		EJN-LCE-500	
 9300 73 <sup>rd</sup> Ave N., Minneapolis, MN 554428 800-547-2635 info@nystrom.com		TITLE: SEISMIC ELASTOMERIC CORRIDOR CEILING SYSTEM ACOUSTICAL TILE APPLICATION	
	NAME	DATE	SIZE
DRAWN	JPK	03/20/23	A
RELEASED			
DWG. NO.		EJN-LCE-500	
WEIGHT:		SHEET 1 OF 1	