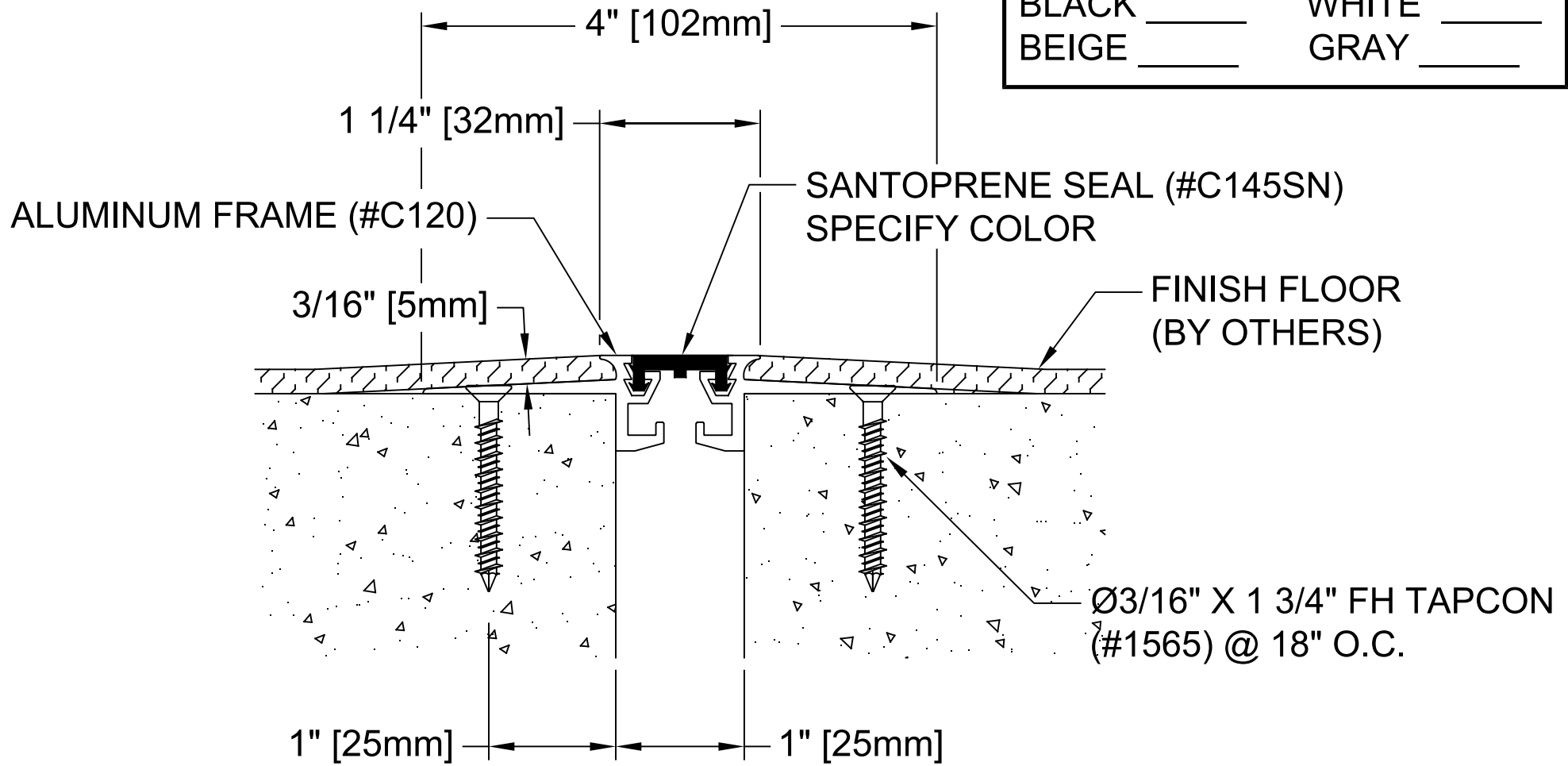


SEAL COLOR SELECTOR			
BLACK	_____	WHITE	_____
BEIGE	_____	GRAY	_____




FLOOR - FLOOR INFILL APPLICATION

EXPOSED FINISH: MILL

MOVEMENT: +/- 25% NOMINAL JOINT WIDTH

STOCK LENGTHS: 10'-0"

PROJECT:			
ARCHITECT:			
CONTRACTOR:			
QTY:			
PART#:		EJN-LCFC-100	
 9300 73 rd Ave N., Minneapolis, MN 554428 800-547-2635 info@nystrom.com		TITLE: ELASTOMERIC CORRIDOR FLOORING SYSTEM INFILL APPLICATION	
NAME	DATE	SIZE	DWG. NO.
DRAWN JPK	1/25/2023	A	EJN-LCFC-100
RELEASED		WEIGHT:	SHEET 1 OF 1