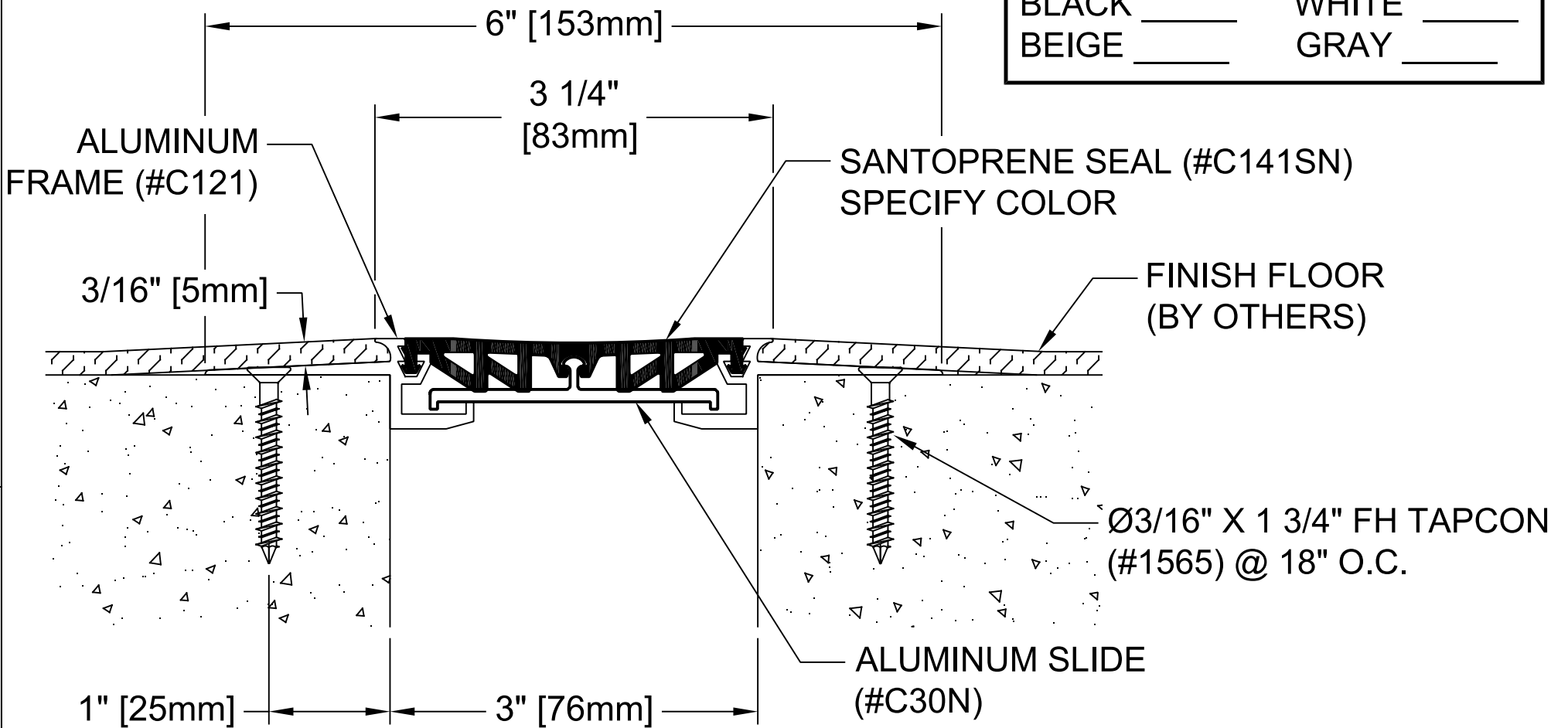


SEAL COLOR SELECTOR			
BLACK	_____	WHITE	_____
BEIGE	_____	GRAY	_____




**FLOOR - FLOOR INFILL APPLICATION**

EXPOSED FINISH: MILL

MOVEMENT: +/- .51" [13mm]

STOCK LENGTHS: 10'-0"

PROJECT:			
ARCHITECT:			
CONTRACTOR:			
QTY:			
PART#:		EJN-LCFC-300	
 9300 73 <sup>rd</sup> Ave N., Minneapolis, MN 554428 800-547-2635 info@nystrom.com		TITLE: ELASTOMERIC CORRIDOR FLOORING SYSTEM INFILL APPLICATION	
NAME	DATE	SIZE	DWG. NO.
DRAWN JPK	1/25/2023	A	<b>EJN-LCFC-300</b>
RELEASED		WEIGHT:	SHEET 1 OF 1

PROPRIETARY AND CONFIDENTIAL: THE INFORMATION CONTAINED IN THIS DRAWING, IS SOLE PROPERTY OF NYSTROM. ANY REPRODUCTION IN PART OR AS A WHOLE, WITHOUT THE WRITTEN PERMISSION OF NYSTROM, IS PROHIBITED. © 2020 NYSTROM, INC.