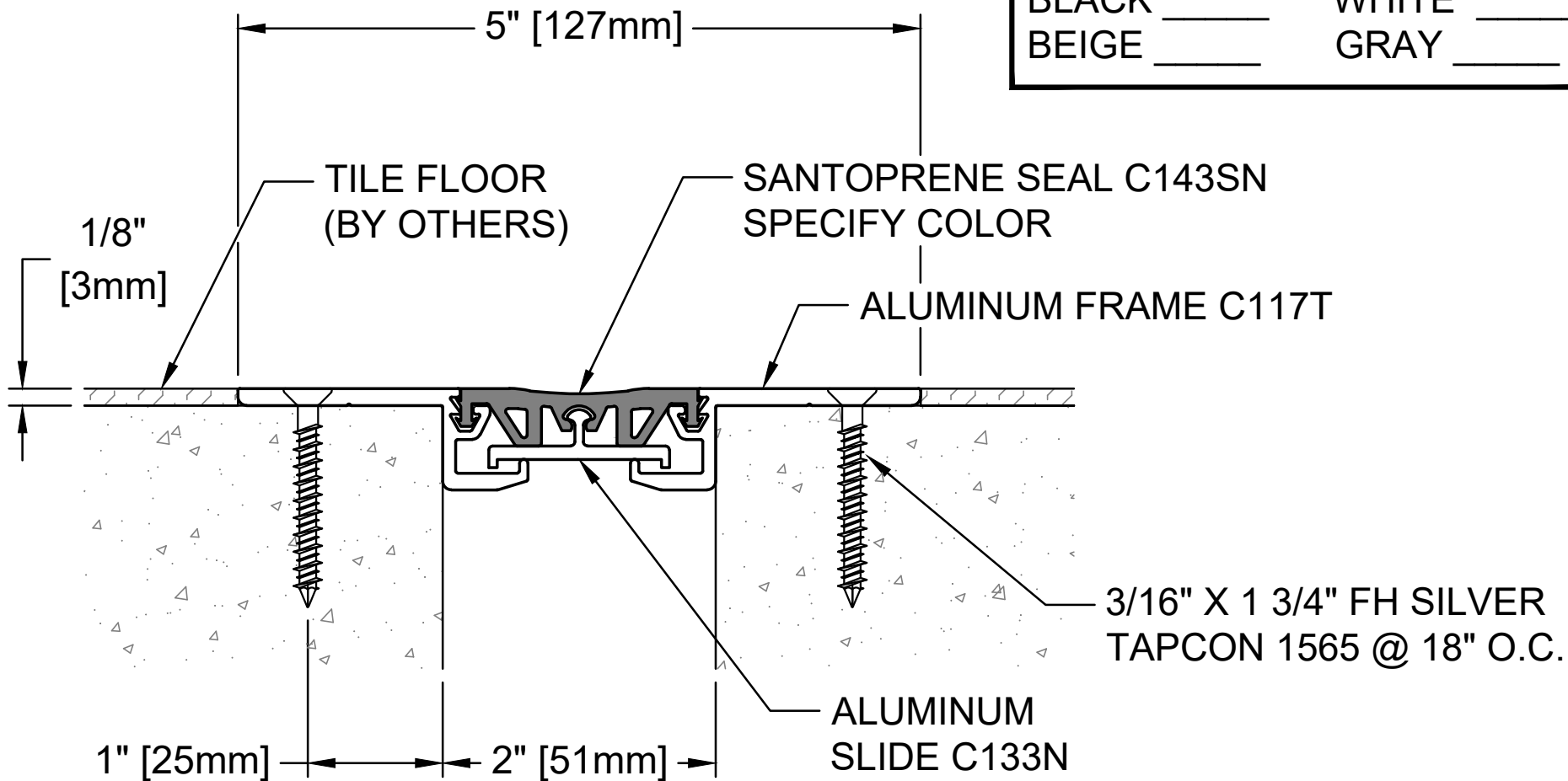


SEAL COLOR SELECTOR	
BLACK _____	WHITE _____
BEIGE _____	GRAY _____




FLOOR - FLOOR SURFACE MOUNT TILE SYSTEM

EXPOSED FINISH: MILL

MOVEMENT: +/- 25% NOMINAL JOINT WIDTH

STOCK LENGTHS: 10'-0"

PROPRIETARY AND CONFIDENTIAL: THE INFORMATION CONTAINED IN THIS DRAWING, IS SOLE PROPERTY OF NYSTROM. ANY REPRODUCTION IN PART OR AS A WHOLE, WITHOUT THE WRITTEN PERMISSION OF NYSTROM, IS PROHIBITED. © 2020 NYSTROM, INC.

PROJECT:			
ARCHITECT:			
CONTRACTOR:			
QTY:			
PART#:		EJN-LCFT-200	
 9300 73rd Ave. N, Minneapolis, MN 55428 (800) 547-2635 info@nystrom.com		TITLE:	
		ARCHITECTURAL ELASTOMERIC SURFACE MOUNT TILE FLOORING SYSTEM	
NAME	DATE	SIZE	DWG. NO.
DRAWN LAP	05/02/22	A	EJN-LCFT-200
RELEASED			WEIGHT:
			SHEET 1 OF 1