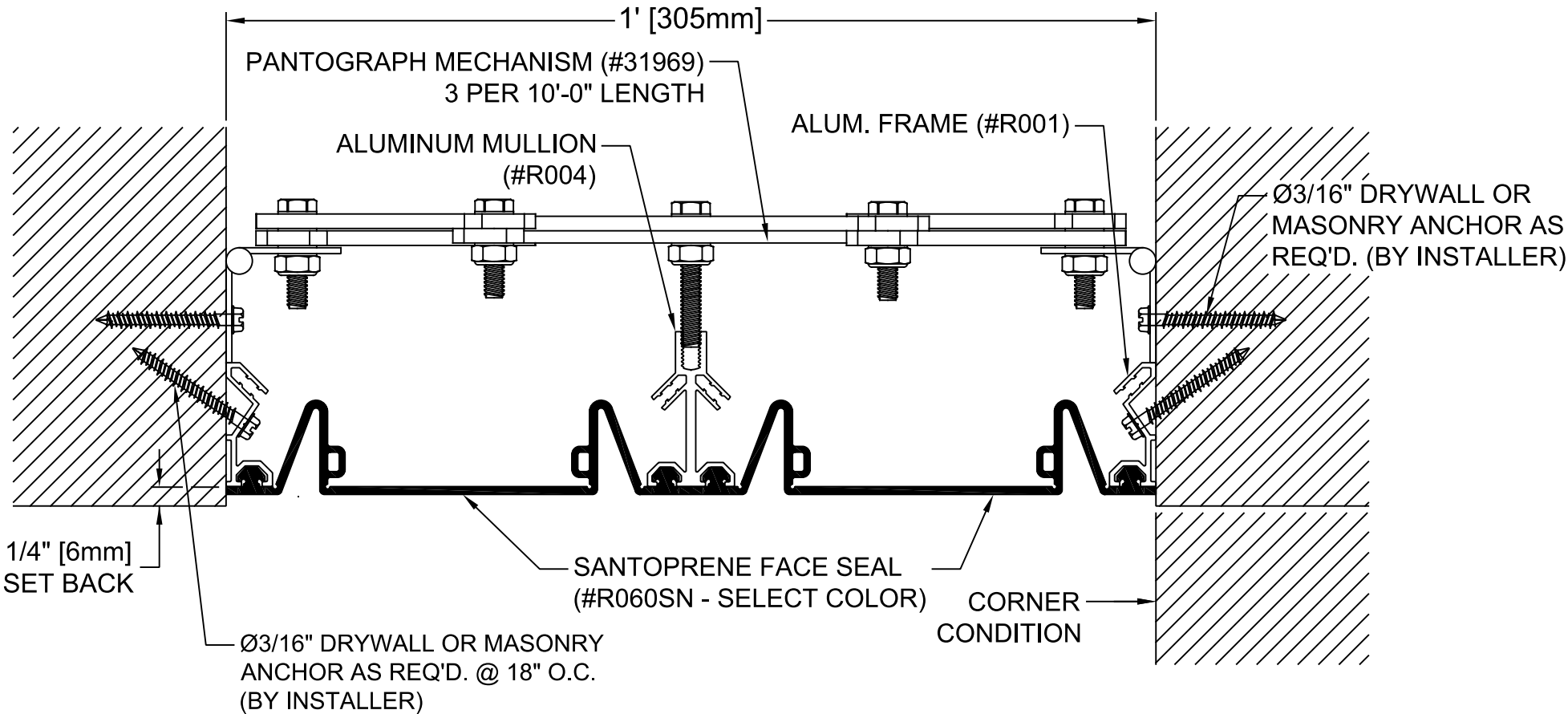


SEAL COLOR SELECTOR			
BLACK _____	WHITE _____		
BEIGE _____	GRAY _____		




**INTERIOR WALL & CEILING RECESSED APPLICATION**

MOVEMENT: +/- 50% NOMINAL JOINT WIDTH

STOCK LENGTHS: ALUMINUM FRAMES: 10'

SEAL: CONTINUOUS

PROJECT:			
ARCHITECT:			
CONTRACTOR:			
QTY:			
PART#:		EJN-LCH-1200	
 9300 73 <sup>rd</sup> Ave N., Minneapolis, MN 554428 800-547-2635 info@nystrom.com		TITLE:	
		SEISMIC ELASTOMERIC WALL & CEILING SYSTEM INTERIOR RECESSED APPLICATION	
	NAME	DATE	SIZE
DRAWN	JPK	05/04/23	A
RELEASED			
DWG. NO.		EJN-LCH-1200	
WEIGHT:		SHEET 1 OF 1	