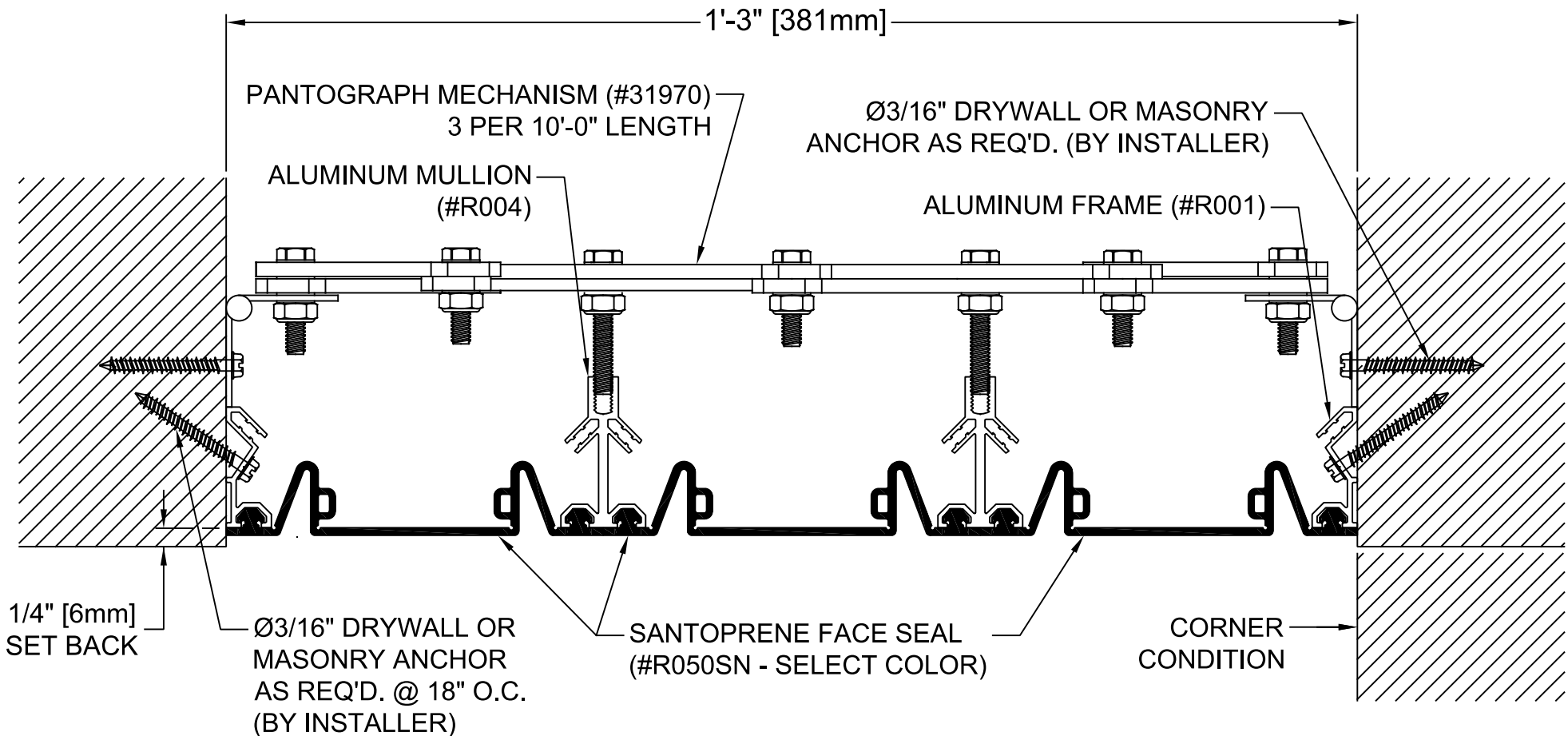



SEAL COLOR SELECTOR  
 BLACK \_\_\_\_\_ WHITE \_\_\_\_\_  
 BEIGE \_\_\_\_\_ GRAY \_\_\_\_\_



**INTERIOR WALL & CEILING RECESSED APPLICATION**

MOVEMENT: +/- 50% NOMINAL JOINT WIDTH  
 STOCK LENGTHS: ALUMINUM FRAMES: 10'  
 SEAL: CONTINUOUS

PROJECT:			
ARCHITECT:			
CONTRACTOR:			
QTY:			
PART#:		EJN-LCH-1500	
 9300 73 <sup>rd</sup> Ave N., Minneapolis, MN 554428 800-547-2635 info@nystrom.com		TITLE: SEISMIC ELASTOMERIC WALL & CEILING SYSTEM INTERIOR RECESSED APPLICATION	
NAME	DATE	SIZE	DWG. NO.
DRAWN JPK	05/04/23	A	<b>EJN-LCH-1500</b>
RELEASED		WEIGHT:	SHEET 1 OF 1