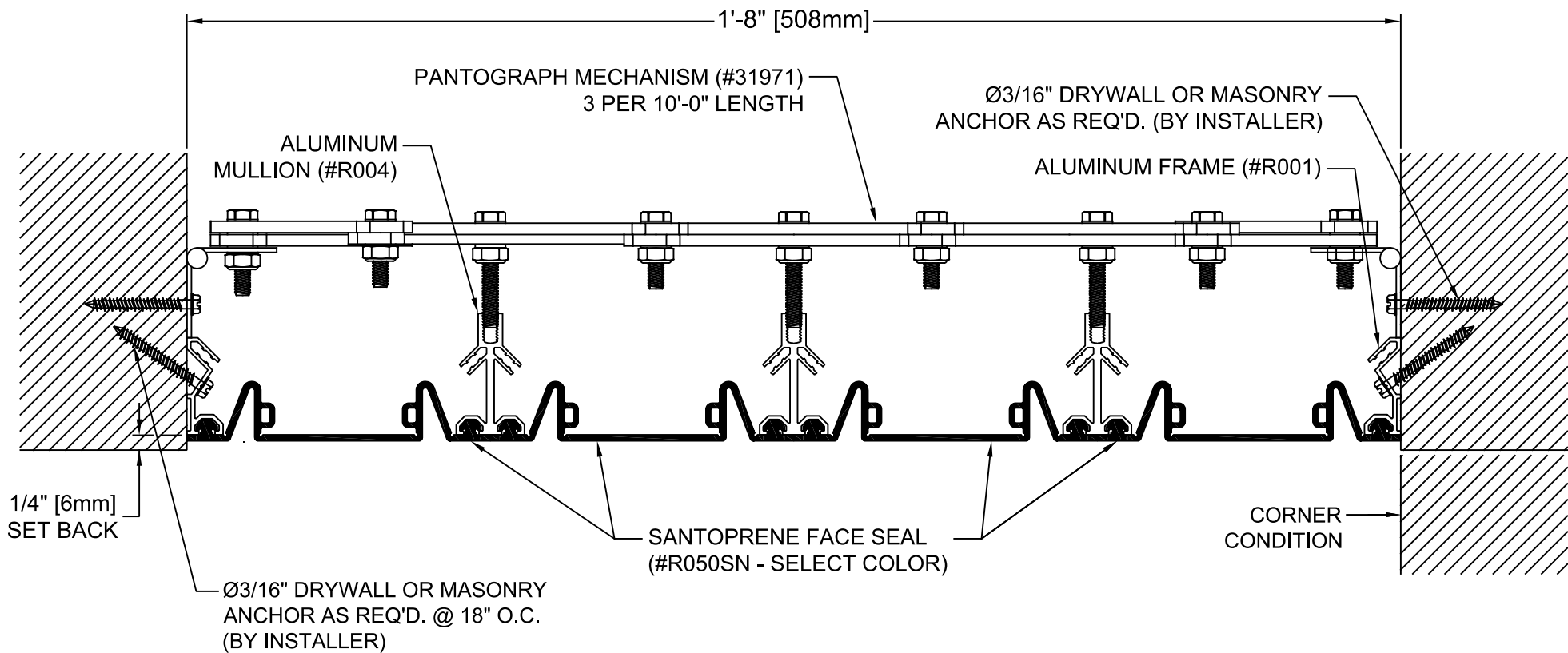



SEAL COLOR SELECTOR			
BLACK	_____	WHITE	_____
BEIGE	_____	GRAY	_____



INTERIOR WALL & CEILING RECESSED APPLICATION

MOVEMENT: +/- 50% NOMINAL JOINT WIDTH
 STOCK LENGTHS: ALUMINUM FRAMES: 10'
 SEAL: CONTINUOUS

PROJECT:			
ARCHITECT:			
CONTRACTOR:			
QTY:			
PART#:		EJN-LCH-2000	
 9300 73rd Ave N., Minneapolis, MN 554428 800-547-2635 info@nystrom.com		TITLE: SEISMIC ELASTOMERIC WALL & CEILING SYSTEM INTERIOR RECESSED APPLICATION	
	NAME	DATE	SIZE
DRAWN	JPK	05/04/23	A
RELEASED			
DWG. NO.		EJN-LCH-2000	
WEIGHT:		SHEET 1 OF 1	

PROPRIETARY AND CONFIDENTIAL: THE INFORMATION CONTAINED IN THIS DRAWING, IS SOLE PROPERTY OF NYSTROM. ANY REPRODUCTION IN PART OR AS A WHOLE, WITHOUT THE WRITTEN PERMISSION OF NYSTROM, IS PROHIBITED. © 2020 NYSTROM, INC.