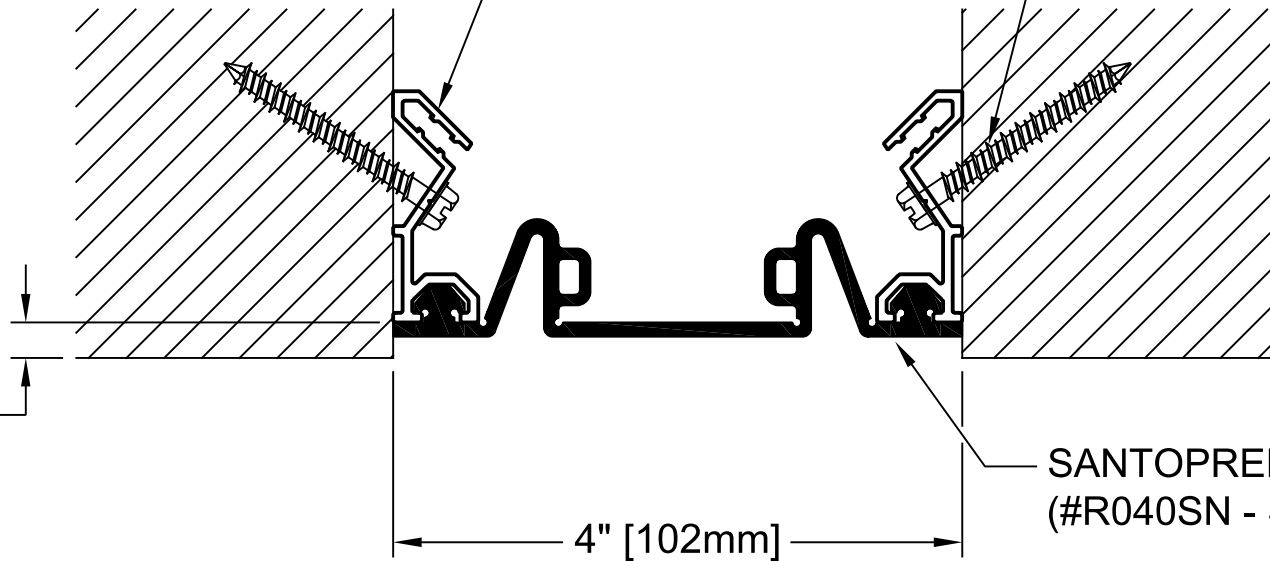


SEAL COLOR SELECTOR
 BLACK _____ WHITE _____
 BEIGE _____ GRAY _____

ALUMINUM
 FRAME (#R001)

Ø3/16" DRYWALL OR MASONRY
 ANCHOR AS REQ'D. @ 18" O.C.
 (BY INSTALLER)

1/4" [6mm]
 SET BACK




SANTOPRENE FACE SEAL
 (#R040SN - SELECT COLOR)

WALL & CEILING INTERIOR RECESSED APPLICATION

MOVEMENT: +/- 50% NOMINAL JOINT WIDTH

STOCK LENGTHS: ALUMINUM FRAMES: 10'

SEAL: CONTINUOUS

PROJECT:			
ARCHITECT:			
CONTRACTOR:			
QTY:			
PART#:		EJN-LCH-400	
 9300 73 rd Ave N., Minneapolis, MN 554428 800-547-2635 info@nystrom.com		TITLE: SEISMIC ELASTOMERIC WALL & CEILING SYSTEM INTERIOR RECESSED APPLICATION	
	NAME	DATE	SIZE
DRAWN	JPK	01/05/23	A
RELEASED			
DWG. NO.		EJN-LCH-400	
WEIGHT:		SHEET 1 OF 1	

PROPRIETARY AND CONFIDENTIAL: THE INFORMATION CONTAINED IN THIS DRAWING, IS SOLE PROPERTY OF NYSTROM. ANY REPRODUCTION IN PART OR AS A WHOLE, WITHOUT THE WRITTEN PERMISSION OF NYSTROM, IS PROHIBITED. © 2020 NYSTROM, INC.