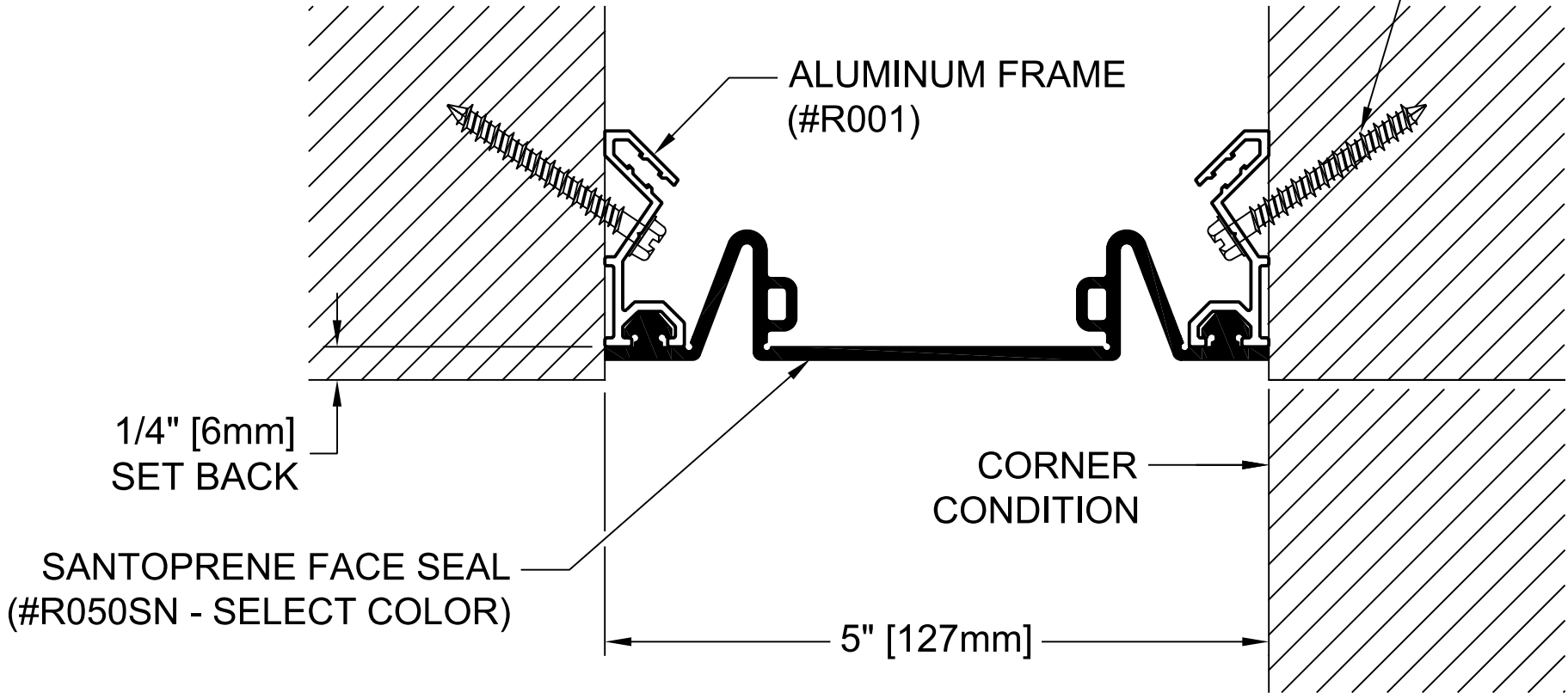



| SEAL COLOR SELECTOR |             |  |  |
|---------------------|-------------|--|--|
| BLACK _____         | WHITE _____ |  |  |
| BEIGE _____         | GRAY _____  |  |  |

Ø3/16" DRYWALL OR MASONRY  
ANCHOR AS REQ'D. @ 18" O.C.  
(BY INSTALLER)



***WALL INTERIOR RECESSED APPLICATION***

MOVEMENT: +/- 50% NOMINAL JOINT WIDTH  
STOCK LENGTHS: ALUMINUM FRAMES: 10'  
SEAL: CONTINUOUS

|   |          |   |
|---|----------|---|
| PROJECT:  |          |   |
| ARCHITECT:  |          |   |
| CONTRACTOR:   |          |   |
| QTY:  |          |   |
| PART#:  |          | EJN-LCH-500   |
| <br>9300 73 <sup>rd</sup> Ave N., Minneapolis, MN 554428<br>800-547-2635<br>info@nystrom.com |          | TITLE:<br>SEISMIC ELASTOMERIC<br>WALL SYSTEM<br>INTERIOR RECESSED APPLICATION |
| NAME  | DATE     | SIZE  |
| DRAWN JPK   | 01/05/23 | A   |
| RELEASED  |          |   |
| DWG. NO.  |          | EJN-LCH-500   |
| WEIGHT:   |          |   |
| SHEET 1 OF 1  |          |   |

PROPRIETARY AND CONFIDENTIAL: THE INFORMATION CONTAINED IN THIS DRAWING, IS SOLE PROPERTY OF NYSTROM. ANY REPRODUCTION IN PART OR AS A WHOLE, WITHOUT THE WRITTEN PERMISSION OF NYSTROM, IS PROHIBITED. © 2020 NYSTROM, INC.