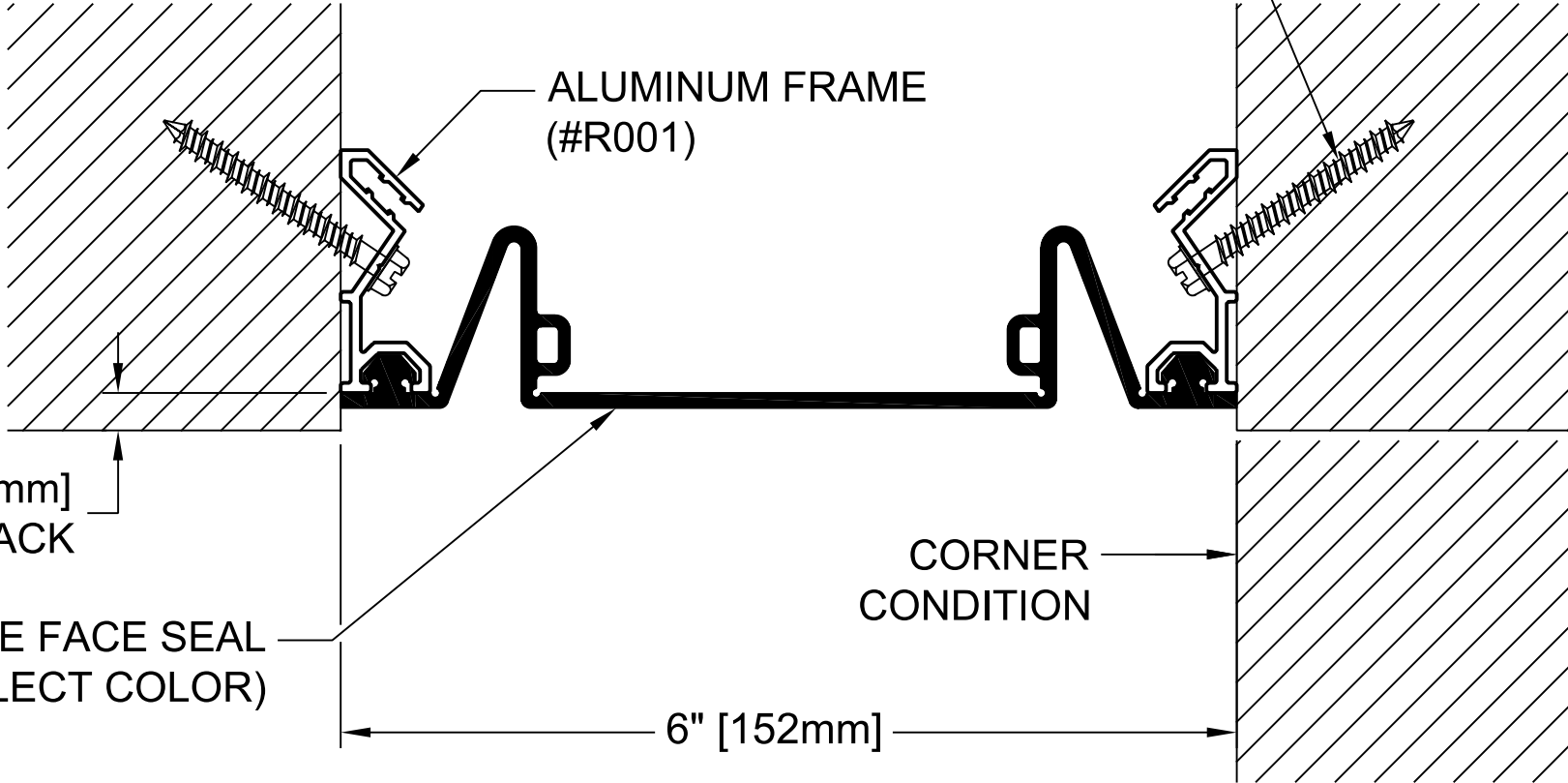


SEAL COLOR SELECTOR  
 BLACK \_\_\_\_\_ WHITE \_\_\_\_\_  
 BEIGE \_\_\_\_\_ GRAY \_\_\_\_\_

Ø3/16" DRYWALL OR  
 MASONRY ANCHOR  
 AS REQ'D. @ 18" O.C.  
 (BY INSTALLER)



1/4" [6mm]  
 SET BACK

ALUMINUM FRAME  
 (#R001)

SANTOPRENE FACE SEAL  
 (#R060SN - SELECT COLOR)

CORNER  
 CONDITION


6" [152mm]

**INTERIOR WALL, CEILING OR CORNER SYSTEM**

MOVEMENT: +/- 50% NOMINAL JOINT WIDTH

STOCK LENGTHS: ALUMINUM FRAMES: 10'

SEAL: CONTINUOUS

PROJECT:			
ARCHITECT:			
CONTRACTOR:			
QTY:			
PART#:		EJN-LCH-600	
 9300 73rd Ave N., Minneapolis, MN 554428 800-547-2635 info@nystrom.com		TITLE: SEISMIC ELASTOMERIC INTERIOR WALL, CEILING OR CORNER SYSTEM	
NAME	DATE	SIZE	DWG. NO.
JPK	10/27/22	A	<b>EJN-LCH-600</b>
RELEASED		WEIGHT:	SHEET 1 OF 1

PROPRIETARY AND CONFIDENTIAL: THE INFORMATION CONTAINED IN THIS DRAWING, IS SOLE PROPERTY OF NYSTROM. ANY REPRODUCTION IN PART OR AS A WHOLE, WITHOUT THE WRITTEN PERMISSION OF NYSTROM, IS PROHIBITED. © 2020 NYSTROM, INC.