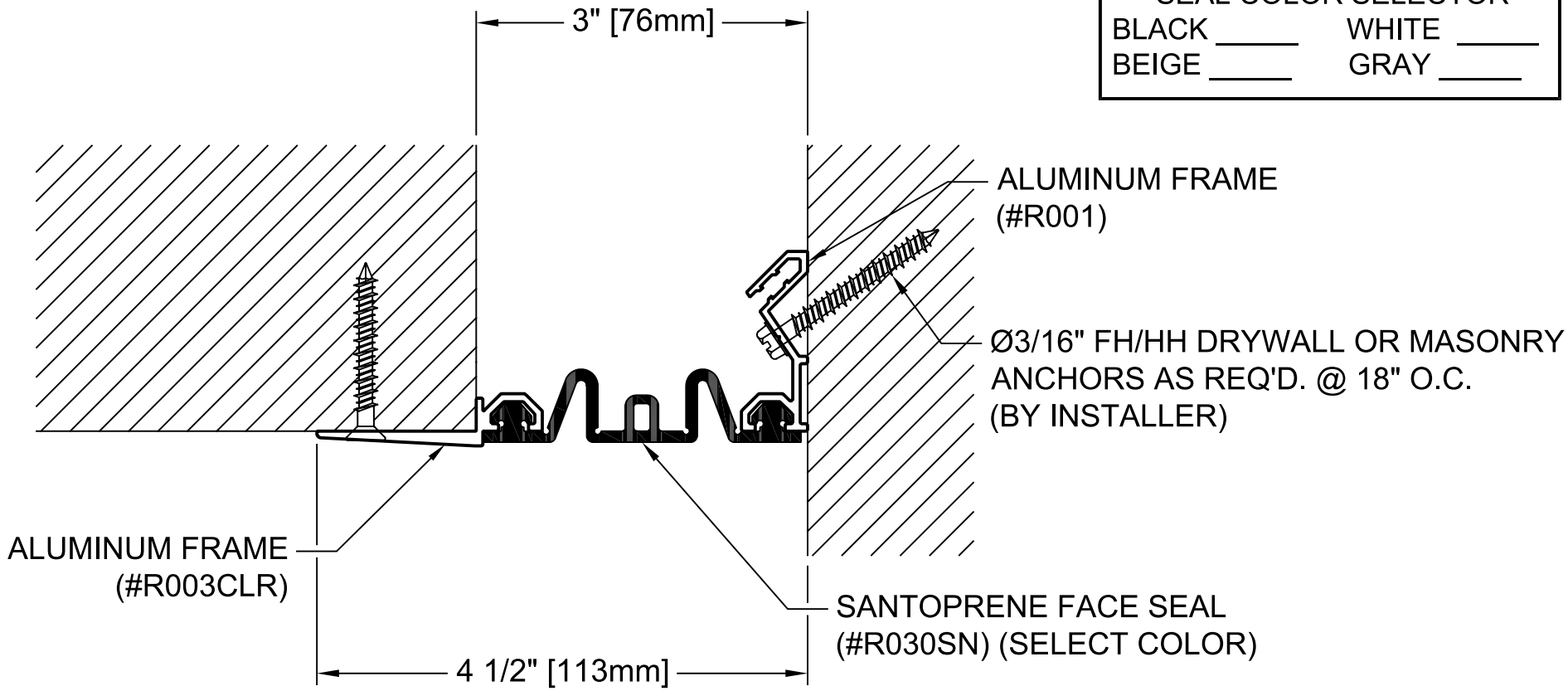


SEAL COLOR SELECTOR			
BLACK	_____	WHITE	_____
BEIGE	_____	GRAY	_____



ALUMINUM FRAME  
(#R003CLR)


ALUMINUM FRAME  
(#R001)

Ø3/16" FH/HH DRYWALL OR MASONRY  
ANCHORS AS REQ'D. @ 18" O.C.  
(BY INSTALLER)

SANTOPRENE FACE SEAL  
(#R030SN) (SELECT COLOR)

**INTERIOR WALL & CLG. CORNER SURFACE APPLICATION**

EXPOSED ALUMINUM FINISH: CLEAR ANODIZED  
MOVEMENT: +/- 50% NOMINAL JOINT WIDTH  
STOCK LENGTHS: ALUMINUM FRAMES: 10'-0"  
SEAL: CONTINUOUS

PROJECT:			
ARCHITECT:			
CONTRACTOR:			
QTY:			
PART#:		EJN-LCS-300W	
 9300 73 <sup>rd</sup> Ave N., Minneapolis, MN 554428 800-547-2635 info@nystrom.com		TITLE: SEISMIC ELASTOMERIC CORRIDOR WALL & CEILING SYSTEM SURFACE APPLICATION	
NAME	DATE	SIZE	DWG. NO.
DRAWN JPK	1/03/2023	A	<b>EJN-LCS-300W</b>
RELEASED		WEIGHT:	SHEET 1 OF 1

PROPRIETARY AND CONFIDENTIAL: THE INFORMATION CONTAINED IN THIS DRAWING, IS SOLE PROPERTY OF NYSTROM. ANY REPRODUCTION IN PART OR AS A WHOLE, WITHOUT THE WRITTEN PERMISSION OF NYSTROM, IS PROHIBITED. © 2020 NYSTROM, INC.