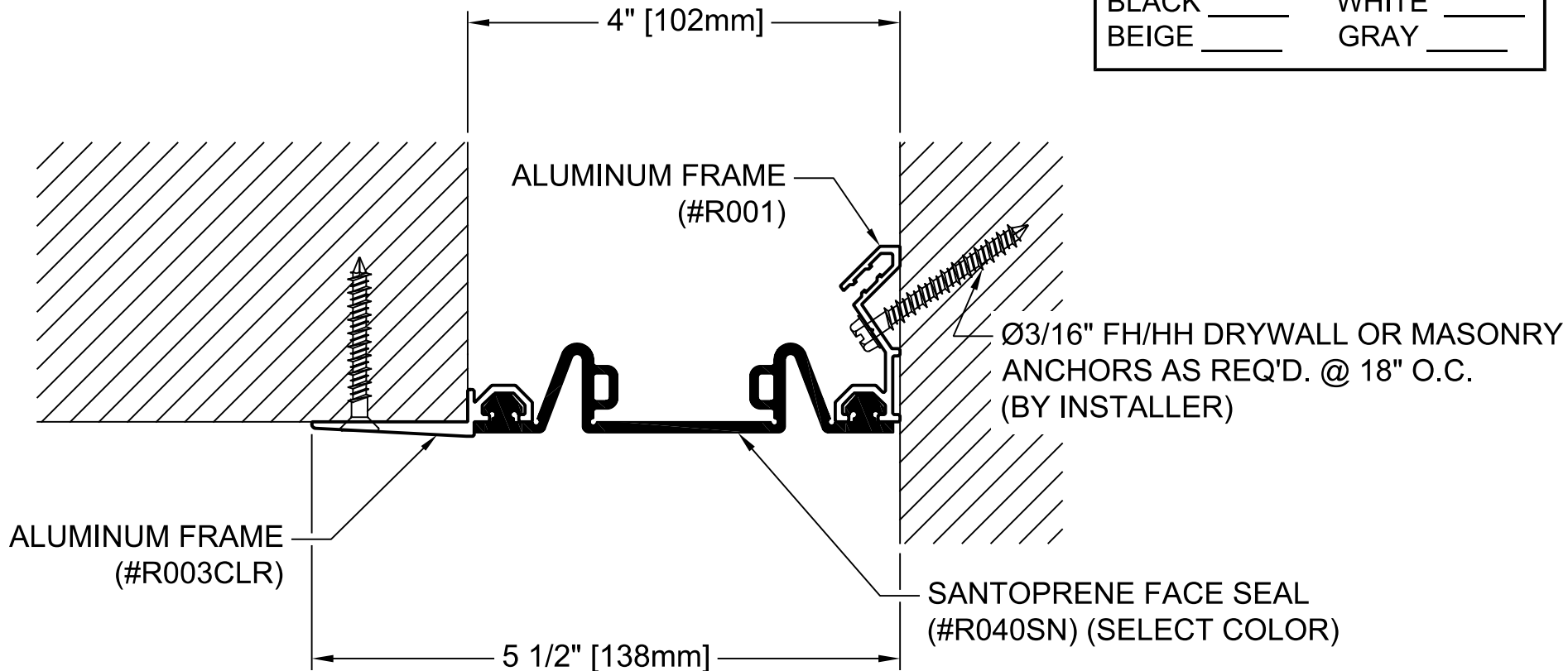



SEAL COLOR SELECTOR			
BLACK	_____	WHITE	_____
BEIGE	_____	GRAY	_____



INTERIOR WALL & CLG. CORNER SURFACE APPLICATION

EXPOSED ALUMINUM FINISH: CLEAR ANODIZED
 MOVEMENT: +/- 50% NOMINAL JOINT WIDTH
 STOCK LENGTHS: ALUMINUM FRAMES: 10'-0"
 SEAL: CONTINUOUS

PROJECT:			
ARCHITECT:			
CONTRACTOR:			
QTY:			
PART#:		EJN-LCS-400W	
 9300 73 rd Ave N., Minneapolis, MN 554428 800-547-2635 info@nystrom.com		TITLE: SEISMIC ELASTOMERIC CORRIDOR WALL & CEILING SYSTEM SURFACE APPLICATION	
NAME	DATE	SIZE	DWG. NO.
DRAWN JPK	1/03/2023	A	EJN-LCS-400W
RELEASED		WEIGHT:	SHEET 1 OF 1