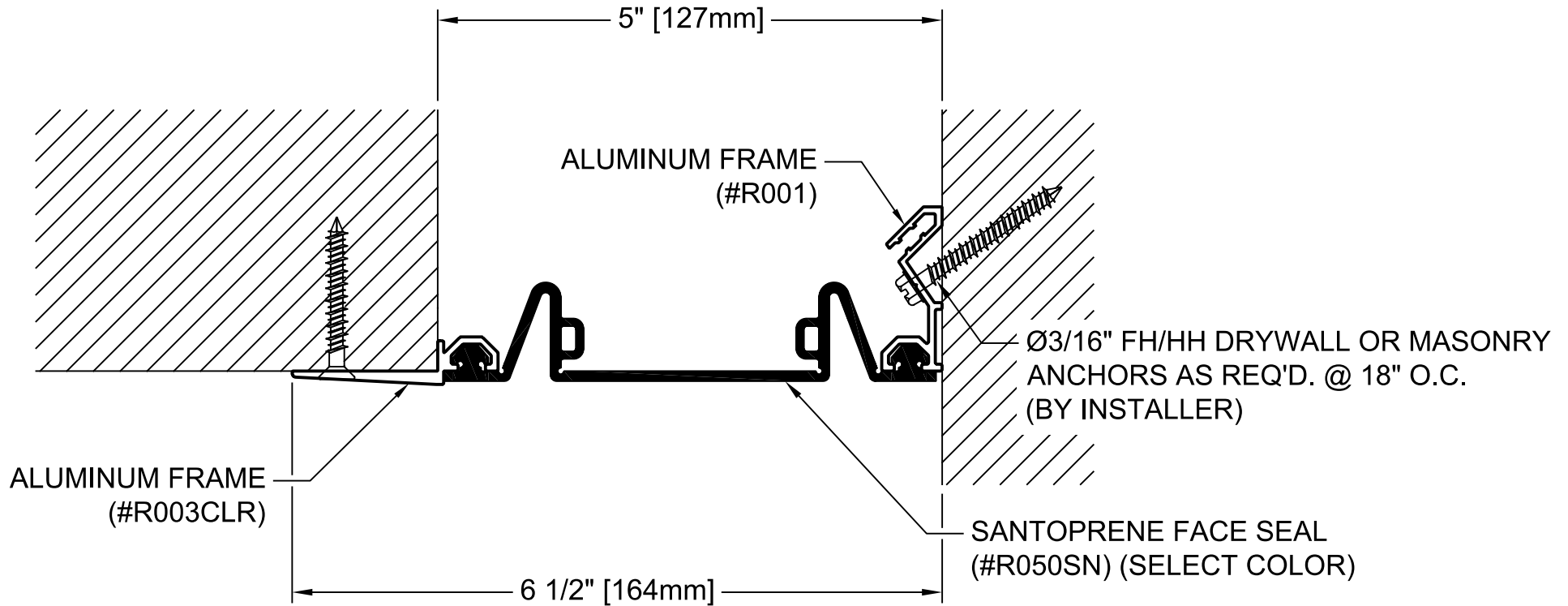



SEAL COLOR SELECTOR
 BLACK _____ WHITE _____
 BEIGE _____ GRAY _____



INTERIOR WALL CORNER SURFACE APPLICATION

EXPOSED ALUMINUM FINISH: CLEAR ANODIZED
 MOVEMENT: +/- 50% NOMINAL JOINT WIDTH
 STOCK LENGTHS: ALUMINUM FRAMES: 10'-0"
 SEAL: CONTINUOUS

PROJECT:			
ARCHITECT:			
CONTRACTOR:			
QTY:			
PART#:		EJN-LCS-500W	
 9300 73 rd Ave N., Minneapolis, MN 554428 800-547-2635 info@nystrom.com		TITLE: SEISMIC ELASTOMERIC CORRIDOR WALL SYSTEM SURFACE APPLICATION	
	NAME	DATE	SIZE
DRAWN	JPK	1/03/2023	A
RELEASED			
DWG. NO.		EJN-LCS-500W	
WEIGHT:		SHEET 1 OF 1	