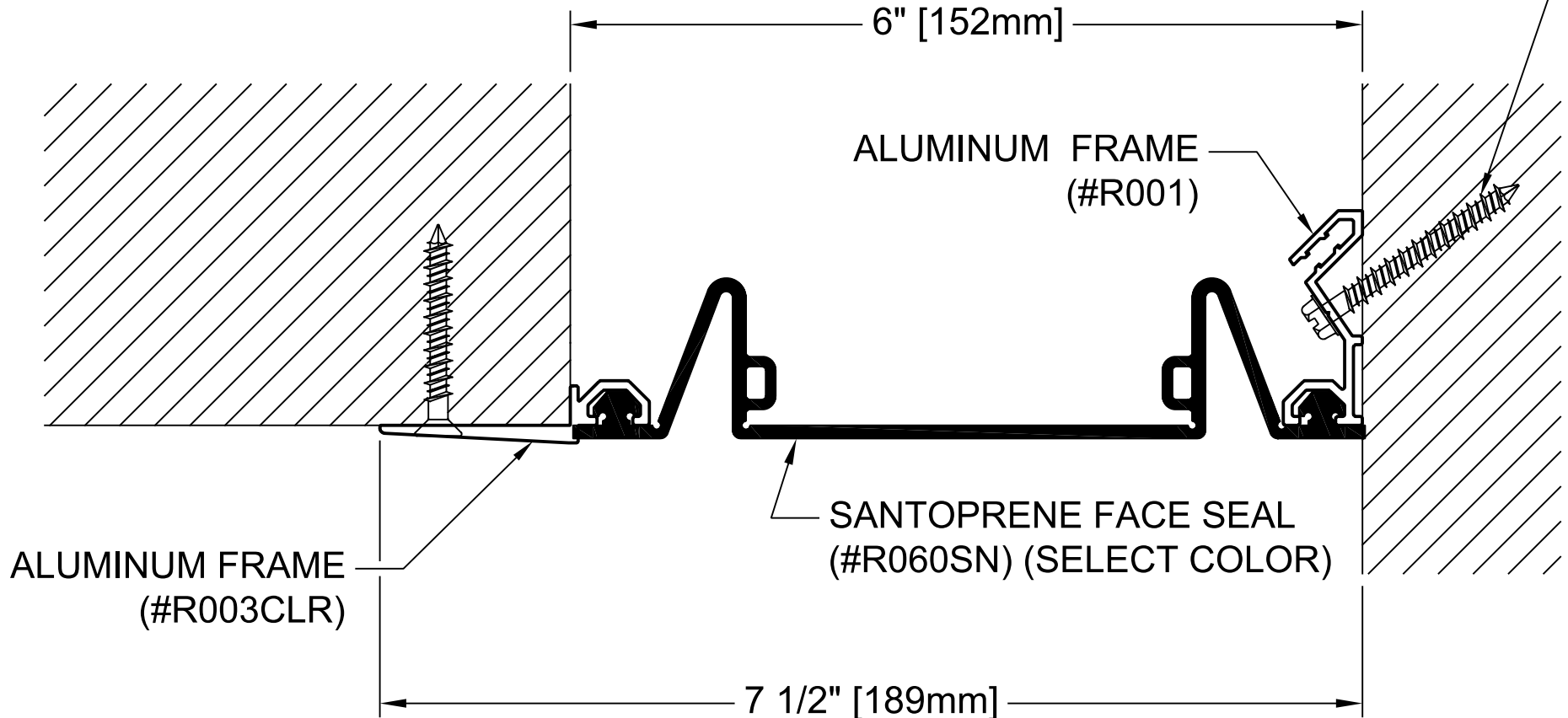



SEAL COLOR SELECTOR
 BLACK _____ WHITE _____
 BEIGE _____ GRAY _____

Ø3/16" FH/HH DRYWALL OR MASONRY ANCHORS AS REQ'D. @ 18" O.C. (BY INSTALLER)



INTERIOR WALL CORNER SURFACE APPLICATION
 EXPOSED ALUMINUM FINISH: CLEAR ANODIZED
 MOVEMENT: +/- 50% NOMINAL JOINT WIDTH
 STOCK LENGTHS: ALUMINUM FRAMES: 10'-0"
 SEAL: CONTINUOUS

PROJECT:			
ARCHITECT:			
CONTRACTOR:			
QTY:			
PART#:		EJN-LCS-600W	
 <small>9300 73rd Ave N., Minneapolis, MN 554428 800-547-2635 info@nystrom.com</small>		TITLE: SEISMIC ELASTOMERIC CORRIDOR WALL SYSTEM SURFACE APPLICATION	
NAME	DATE	SIZE	DWG. NO.
DRAWN JPK	1/03/2023	A	EJN-LCS-600W
RELEASED		WEIGHT:	SHEET 1 OF 1