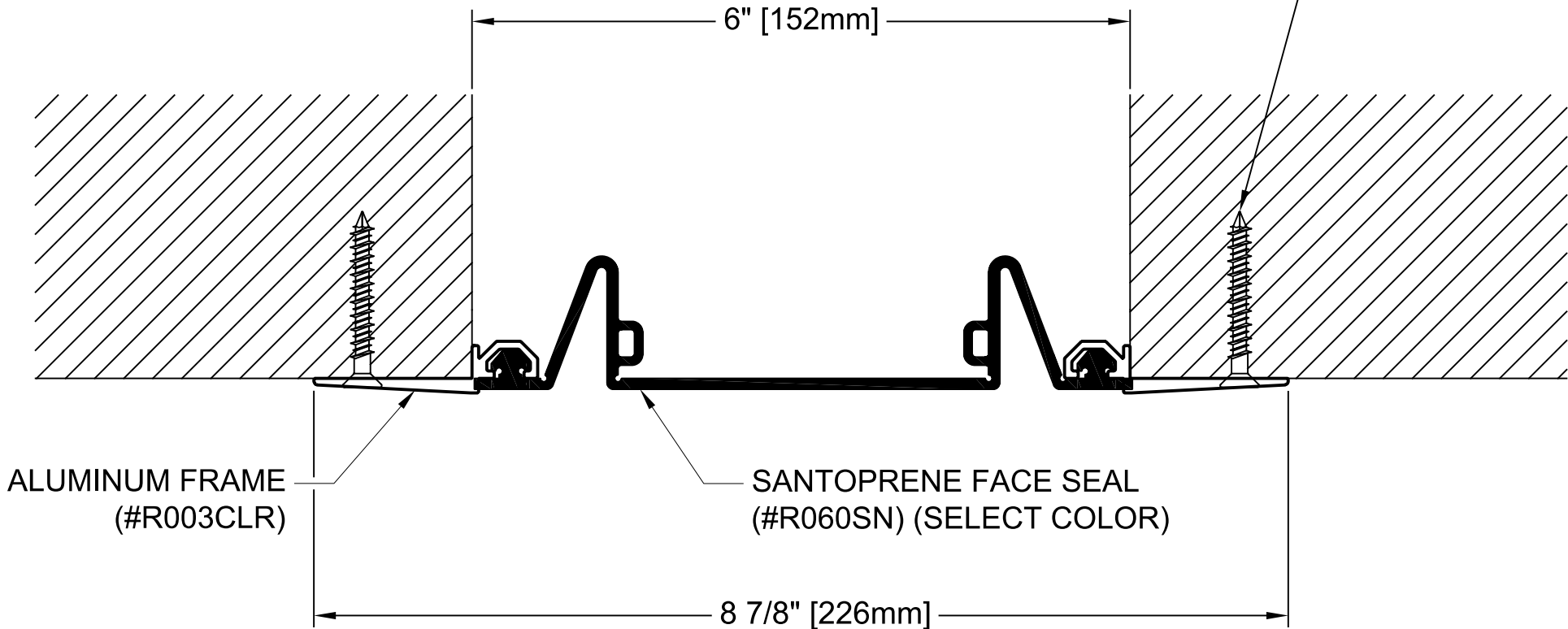


SEAL COLOR SELECTOR
 BLACK _____ WHITE _____
 BEIGE _____ GRAY _____

Ø3/16" FH DRYWALL OR MASONRY
 ANCHOR AS REQ'D. @ 18" O.C.
 (BY INSTALLER)



ALUMINUM FRAME
 (#R003CLR)


SANTOPRENE FACE SEAL
 (#R060SN) (SELECT COLOR)

8 7/8" [226mm]

6" [152mm]

INTERIOR WALL SURFACE APPLICATION

EXPOSED ALUMINUM FINISH: CLEAR ANODIZED
 MOVEMENT: +/- 50% NOMINAL JOINT WIDTH
 STOCK LENGTHS: ALUMINUM FRAMES: 10'-0"
 SEAL: CONTINUOUS

PROJECT:			
ARCHITECT:			
CONTRACTOR:			
QTY:			
PART#:		EJN-LCS-600	
 9300 73rd Ave N., Minneapolis, MN 554428 800-547-2635 info@nystrom.com		TITLE:	
		SEISMIC ELASTOMERIC CORRIDOR WALL SYSTEM SURFACE APPLICATION	
NAME	DATE	SIZE	DWG. NO.
DRAWN JPK	1/03/2023	A	EJN-LCS-600
RELEASED		WEIGHT:	SHEET 1 OF 1