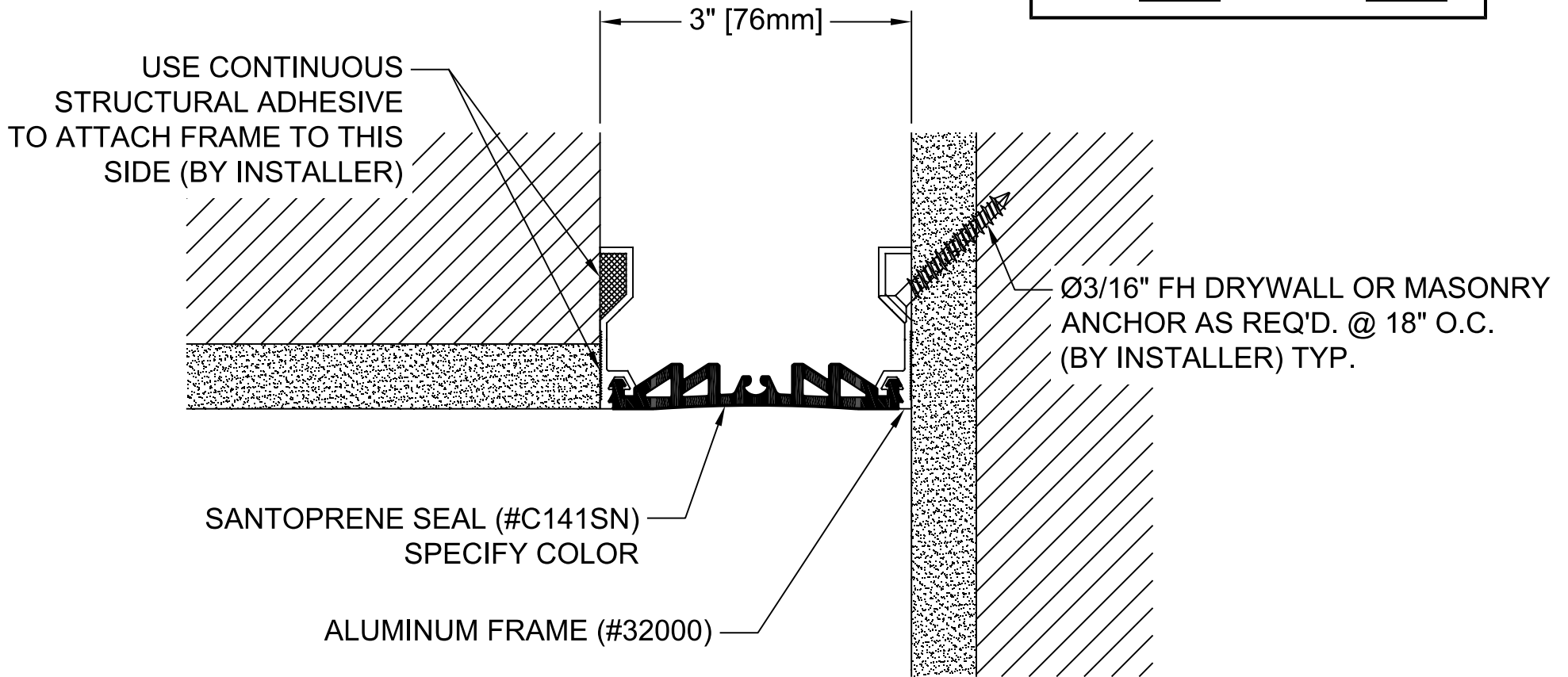


SEAL COLOR SELECTOR			
BLACK	_____	WHITE	_____
BEIGE	_____	GRAY	_____




**WALL & CEILING RECESSED APPLICATION**

EXPOSED FINISH: MILL

MOVEMENT: +/- 25% NOMINAL JOINT WIDTH

STOCK LENGTHS: 10'-0"

PROJECT:			
ARCHITECT:			
CONTRACTOR:			
QTY:			
PART#:		EJN-LCWF-300W	
 9300 73 <sup>rd</sup> Ave N., Minneapolis, MN 554428 800-547-2635 info@nystrom.com		TITLE: ELASTOMERIC CORRIDOR WALL & CEILING SYSTEM RECESSED APPLICATION	
	NAME	DATE	SIZE
DRAWN	JPK	09/11/23	A
RELEASED			
DWG. NO.			REV
EJN-LCWF-300W			A
WEIGHT:			SHEET 1 OF 1