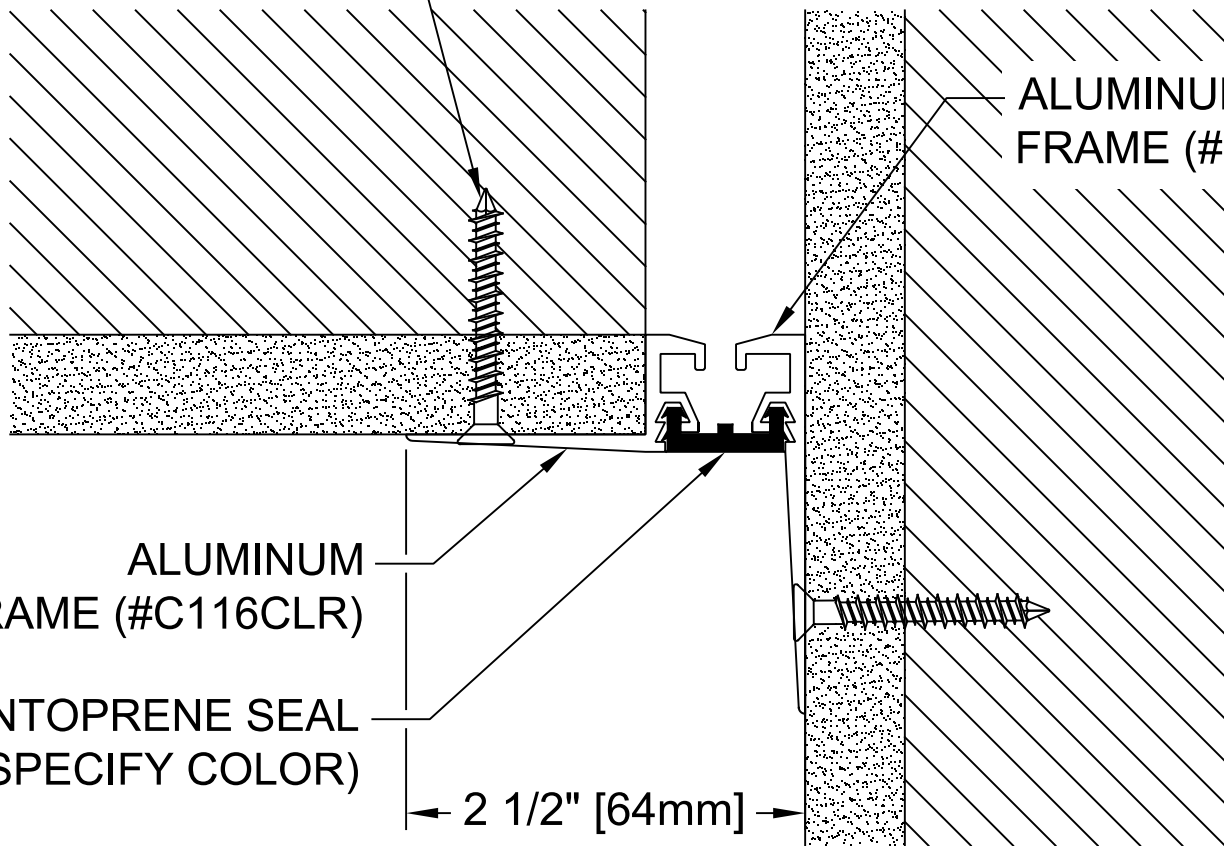


Ø3/16" FH DRYWALL
OR MASONRY ANCHOR
AS REQ'D. @ 18" O.C.
(BY INSTALLER) TYP.

1"
[25mm]

SEAL COLOR SELECTOR
 BLACK _____ WHITE _____
 BEIGE _____ GRAY _____




ALUMINUM
FRAME (#C118CLR)

ALUMINUM
FRAME (#C116CLR)

SANTOPRENE SEAL
(#C145SN - SPECIFY COLOR)

2 1/2" [64mm]

WALL / CEILING CORNER SURFACE APPLICATION
 EXPOSED FINISH: CLEAR ANODIZED
 MOVEMENT: +/- 25% NOMINAL JOINT WIDTH
 STOCK LENGTHS: 10'-0"

PROJECT:			
ARCHITECT:			
CONTRACTOR:			
QTY:			
PART#:		EJN-LCWS-100W	
 <small>9300 73rd Ave N., Minneapolis, MN 554428 800-547-2635 info@nystrom.com</small>		TITLE: ELASTOMERIC CORRIDOR WALL & CEILING SYSTEM SURFACE APPLICATION	
NAME	DATE	SIZE	DWG. NO.
DRAWN JPK	01/31/23	A	EJN-LCWS-100W
RELEASED		WEIGHT:	SHEET 1 OF 1

PROPRIETARY AND CONFIDENTIAL: THE INFORMATION CONTAINED IN THIS DRAWING, IS SOLE PROPERTY OF NYSTROM. ANY REPRODUCTION IN PART OR AS A WHOLE, WITHOUT THE WRITTEN PERMISSION OF NYSTROM, IS PROHIBITED. © 2020 NYSTROM, INC.