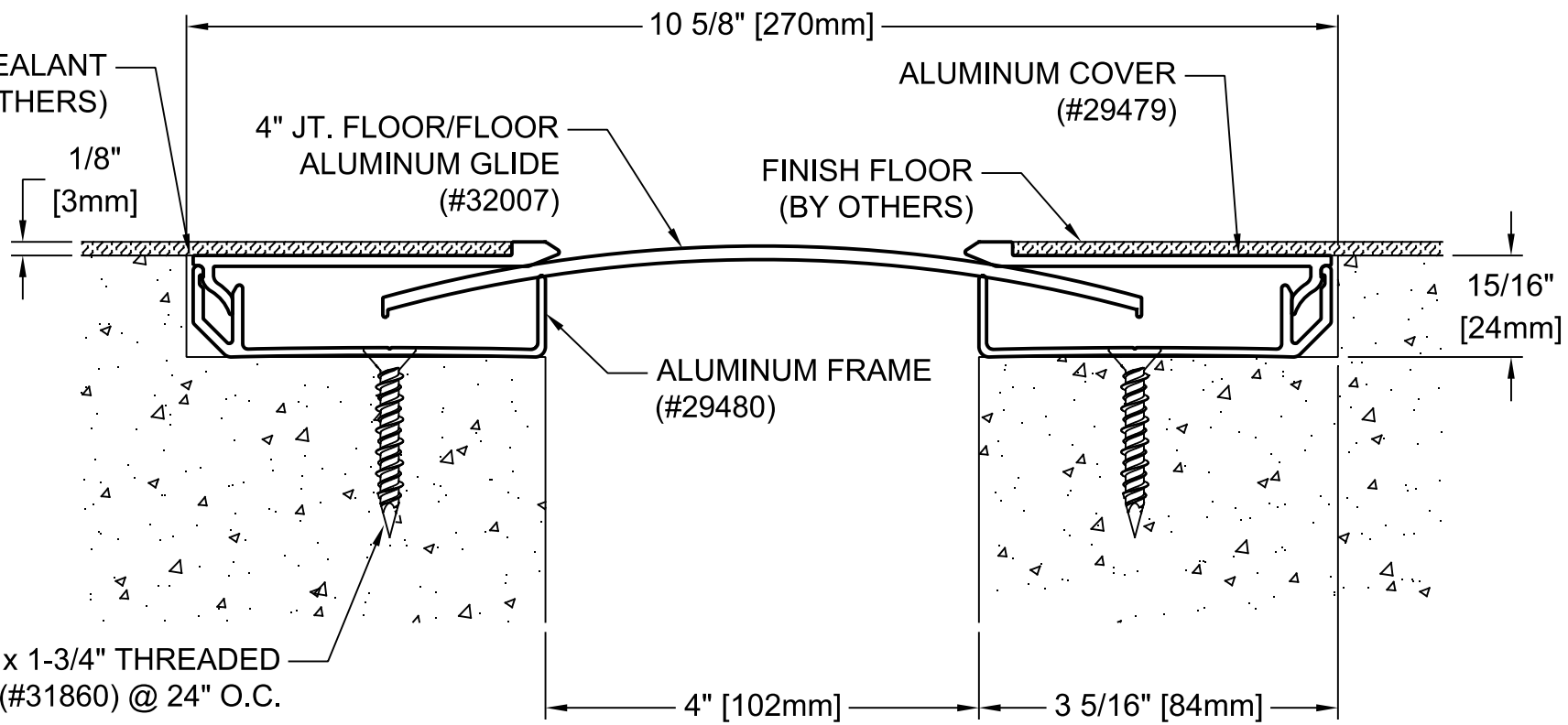



IF REQUIRED, SEALANT OR GROUT (BY OTHERS)



Ø1/4" x 1-3/4" THREADED ANCHOR (#31860) @ 24" O.C.

**ALUMINUM GLIDE FLOORING SYSTEM INFILL BLOCKOUT APPLICATION**

EXPOSED FINISH: MILL  
 MOVEMENT: +/- 50% JOINT WIDTH  
 STOCK LENGTHS: 10'-0"

PROJECT:			
ARCHITECT:			
CONTRACTOR:			
QTY:			
PART#:		EJN-NBR-400	
 9300 73rd Ave N., Minneapolis, MN 554428 800-547-2635 info@nystrom.com		TITLE: SEISMIC ALUMINUM GLIDE FLOORING SYSTEM INFILL BLOCKOUT APPLICATION	
NAME	DATE	SIZE	DWG. NO.
DRAWN JPK	05/30/23	A	<b>EJN-NBR-400</b>
RELEASED		WEIGHT:	SHEET 1 OF 1

PROPRIETARY AND CONFIDENTIAL: THE INFORMATION CONTAINED IN THIS DRAWING, IS SOLE PROPERTY OF NYSTROM. ANY REPRODUCTION IN PART OR AS A WHOLE, WITHOUT THE WRITTEN PERMISSION OF NYSTROM, IS PROHIBITED. © 2020 NYSTROM, INC.