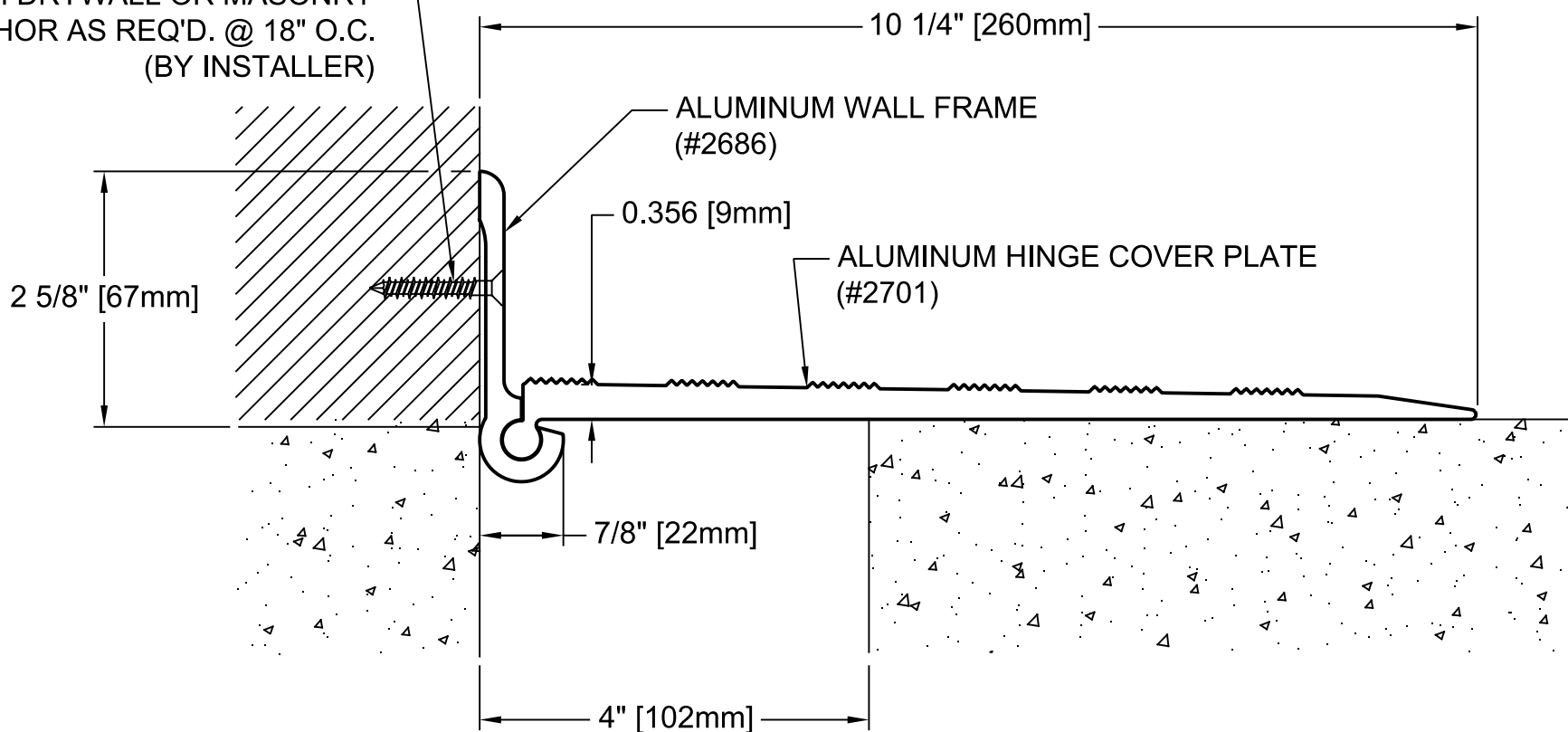


Ø3/16" FH DRYWALL OR MASONRY ANCHOR AS REQ'D. @ 18" O.C. (BY INSTALLER)




Dimension Chart

Nystrom Model #	System Width	Joint Opening @ Installation	Joint Opening (J.O.) Max		Vertical Movement (Max)	
			(Pedestrian)*	(Vehicle)**	Up	Down
EJN-PD-400W	10 1/4" (260mm)	4" (102mm)	9 5/8" (244mm)	8 5/8" (219mm)	1/8" (3mm)	2 3/4" (70mm)

* Pedestrian Loads (only) during normal design conditions.
 ** Vehicle Loads (only) during normal design (low acceleration) design conditions.

FLOOR-TO-WALL HEAVY DUTY SYSTEM
 EXPOSED FINISH: MILL
 STOCK LENGTHS: 10'-0"

PROJECT:		
ARCHITECT:		
CONTRACTOR:		
QTY:		
PART#:		EJN-PD-400W
 9300 73rd Ave N., Minneapolis, MN 554428 800-547-2635 info@nystrom.com		TITLE: ALUMINUM HINGED HEAVY DUTY SYSTEM SURFACE APPLICATION
NAME	DATE	SIZE
DRAWN	JPK	2/17/2023
RELEASED		
DWG. NO.		EJN-PD-400W
WEIGHT:		
SHEET 1 OF 1		