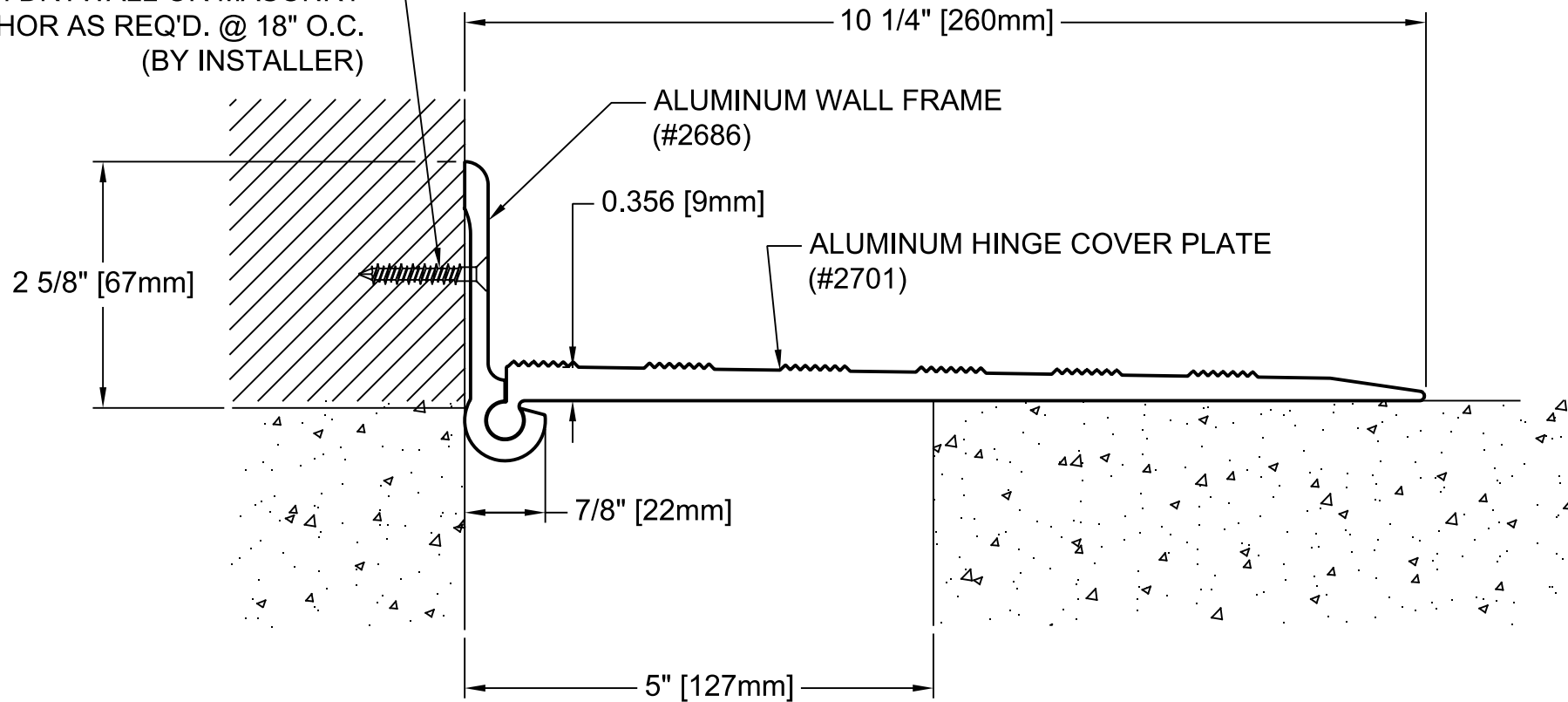


Ø3/16" FH DRYWALL OR MASONRY
ANCHOR AS REQ'D. @ 18" O.C.
(BY INSTALLER)



Dimension Chart

Nystrom Model #	System Width	Joint Opening @ Installation	Joint Opening (J.O.) Max		Vertical Movement (Max)	
			(Pedestrian)*	(Vehicle)**	Up	Down
EJN-PD-500W	10 1/4" (260mm)	5" (127mm)	9 5/8" (244mm)	8 5/8" (219mm)	1/8" (3mm)	2 3/4" (70mm)


* Pedestrian Loads (only) during normal design conditions.

** Vehicle Loads (only) during normal design (low acceleration) design conditions.

FLOOR-TO-WALL HEAVY DUTY SYSTEM

EXPOSED FINISH: MILL

STOCK LENGTHS: 10'-0"

PROJECT:			
ARCHITECT:			
CONTRACTOR:			
QTY:			
PART#:		EJN-PD-500W	
 <small>9300 73rd Ave N., Minneapolis, MN 554428 800-547-2635 info@nystrom.com</small>		TITLE: ALUMINUM HINGED HEAVY DUTY SYSTEM SURFACE APPLICATION	
NAME	DATE	SIZE	DWG. NO.
DRAWN JPK	2/17/2023	A	EJN-PD-500W
RELEASED		WEIGHT:	SHEET 1 OF 1