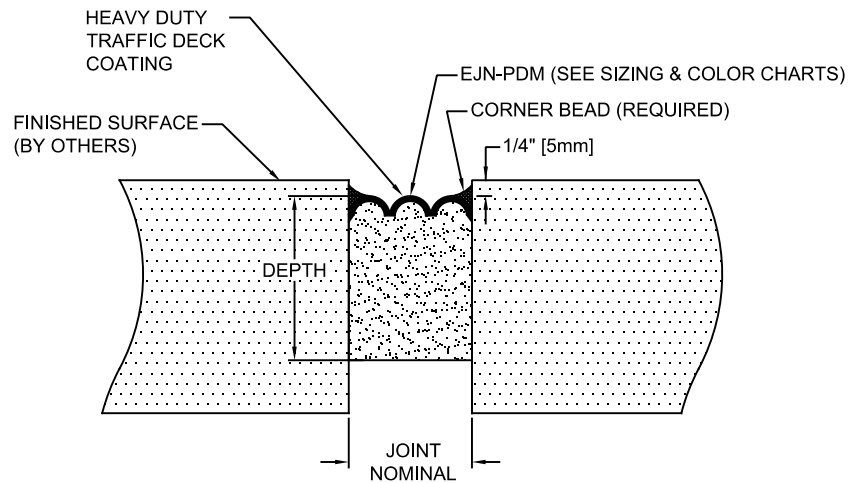
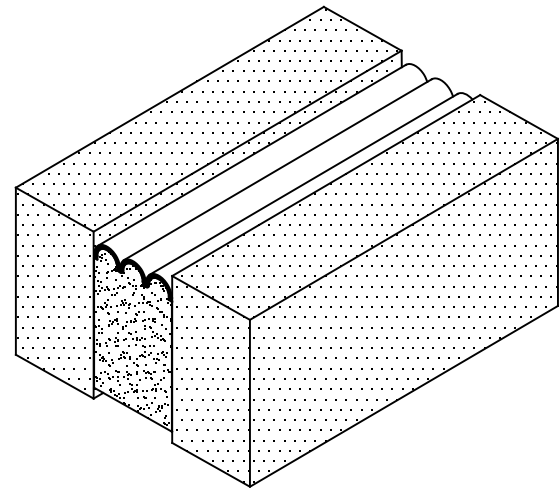


EJN-PDM SERIES		
MODEL	JOINT NOMINAL	DEPTH
EJN-PDM-050	1/2"	2"
EJN-PDM-063	5/8"	2"
EJN-PDM-075	3/4"	2"
EJN-PDM-100	1"	2"
EJN-PDM-200	2"	3"
EJN-PDM-300	3"	3"
EJN-PDM-400	4"	4"

NOTE:
1/4" SIZE INCREMENTS AVAILABLE,
CONTACT YOUR NYSTROM REP.



VIEW DIFFERS DEPENDING ON PRODUCT SIZE

EJN-PDM SERIES COLORS
Concrete Gary (Standard)
Traffic-Grade Black Available
Highway Gray (Available)

TRAFFIC FOAM HORIZONTAL APPLICATION

- EXPOSED FINISH: (SEE COLOR CHART)
- MOVEMENT: +/- 50% NOMINAL JOINT WIDTH
- STOCK LENGTHS: 6.5 FT (2.0M) STICKS
- *THIS PRODUCT IS SUPPLIED WITH EPOXY, FLEXIBLE SEAL, AND TRAFFIC GRADE SILICONE.*

PROPRIETARY AND CONFIDENTIAL: THE INFORMATION CONTAINED IN THIS DRAWING, IS SOLE PROPERTY OF NYSTROM. ANY REPRODUCTION IN PART OR AS A WHOLE, WITHOUT THE WRITTEN PERMISSION OF NYSTROM, IS PROHIBITED. © 2020 NYSTROM, INC.

PROJECT:			
ARCHITECT:			
CONTRACTOR:			
QTY:			
PART#:		EJN-PDM	
 9300 73 rd Ave N., Minneapolis, MN 55428 800-547-2635 info@nystrom.com		TITLE: SEISMIC PRE-COMPRESSED PARKING DECK FOAM SYSTEM RECESSED APPLICATION	
NAME	DATE	SIZE	DWG. NO.
DRAWN JPK	12/11/23	A	EJN-PDM
RELEASED		WEIGHT:	SHEET 1 OF 1