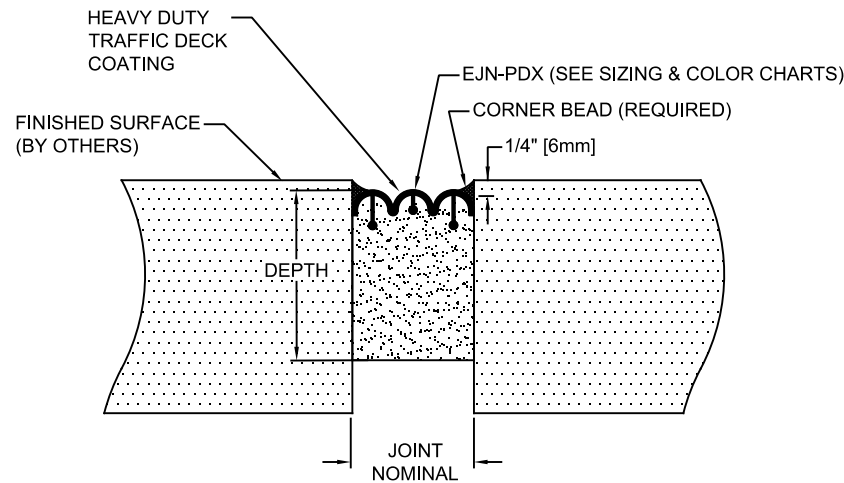
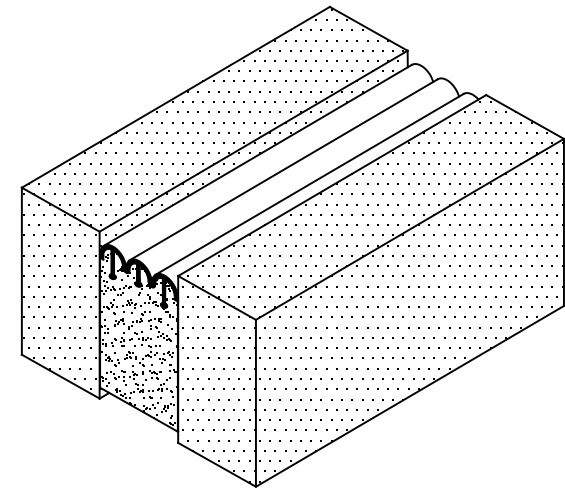


EJN-PDX SERIES		
MODEL	JOINT NOMINAL	DEPTH
EJN-PDX-100	1" [25mm]	2" [51mm]
EJN-PDX-150	1 1/2" [38mm]	2" [51mm]
EJN-PDX-200	2" [51mm]	3" [76mm]
EJN-PDX-250	2 1/2" [64mm]	3" [76mm]
EJN-PDX-300	3" [76mm]	3" [76mm]
EJN-PDX-350	3 1/2" [89mm]	3" [76mm]
EJN-PDX-400	4" [102mm]	4" [102mm]

NOTE:
1/4" [6mm] SIZE INCREMENTS AVAILABLE,
CONTACT YOUR NYSTROM REP.



VIEW DIFFERS DEPENDING ON PRODUCT SIZE

EJN-PDX SERIES COLORS
Traffic Gray (Standard)
Highway Gray (Available)
Traffic Grade Black (Available)

HEAVY DUTY FOAM HORIZONTAL APPLICATION

- EXPOSED FINISH: (SEE COLOR CHART)
- MOVEMENT: +/- 50% NOMINAL JOINT WIDTH
- STOCK LENGTHS: 6.5 FT [2.0M] STICKS
- THIS PRODUCT IS SUPPLIED WITH EPOXY, FLEXIBLE SEAL, AND TRAFFIC GRADE SILICONE.

PROPRIETARY AND CONFIDENTIAL: THE INFORMATION CONTAINED IN THIS DRAWING, IS SOLE PROPERTY OF NYSTROM. ANY REPRODUCTION IN PART OR AS A WHOLE, WITHOUT THE WRITTEN PERMISSION OF NYSTROM, IS PROHIBITED. © 2020 NYSTROM, INC.

PROJECT:			
ARCHITECT:			
CONTRACTOR:			
QTY:			
PART#:		EJN-PDX	
 9300 73 rd Ave N., Minneapolis, MN 55428 800-547-2635 info@nystrom.com		TITLE: SEISMIC PRE-COMPRESSED HEAVY DUTY FOAM SYSTEM RECESSED APPLICATION	
NAME	DATE	SIZE	DWG. NO.
JPK	10/28/24	A	EJN-PDX
RELEASED		WEIGHT:	SHEET 1 OF 1