

EJN-QTT SERIES			
-CHOOSE ONE-		JOINT NOMINAL	DEPTH
MODEL (2 SIDES)	MODEL (3 SIDES)		
EJN-QTT-100	EJN-QTT-100-TS	1"	2"
EJN-QTT-200	EJN-QTT-200-TS	2"	3"
EJN-QTT-300	EJN-QTT-300-TS	3"	3"
EJN-QTT-400	EJN-QTT-400-TS	4"	4"
EJN-QTT-500	EJN-QTT-500-TS	5"	4"
EJN-QTT-600	EJN-QTT-600-TS	6"	4"

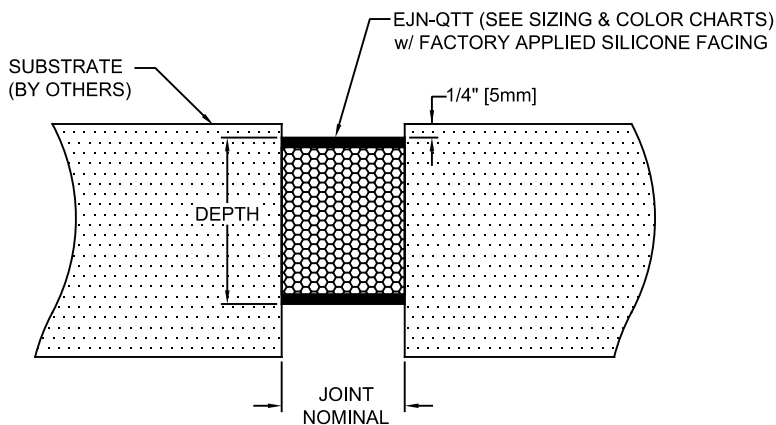
NOTE:  
1/4" SIZE INCREMENTS AVAILABLE, CONTACT YOUR NYSTROM REP.



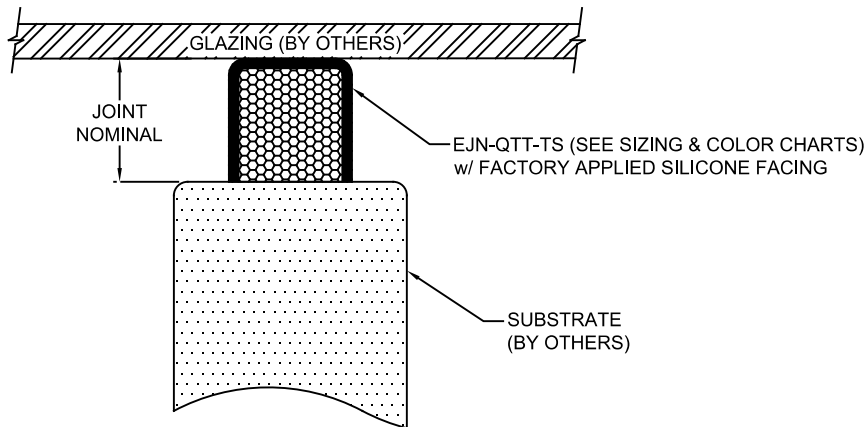
**EJN-QTT SERIES (2-SIDES)**



**EJN-QTT-TS SERIES (3-SIDES)**



**EJN-QTT SERIES (2-SIDES)**  
**VIEW DIFFERS DEPENDING ON PRODUCT SIZE**



**EJN-QTT-TS SERIES (3-SIDES)**  
**VIEW DIFFERS DEPENDING ON PRODUCT SIZE**

EJN-QTT SERIES COLORS
White
Precast White
Ivory
Sandstone
Buff
Off White
Limestone
Anodized Aluminum
Gray
Aluminum Stone
Light Bronze
Champagne
Dusty Rose
Adobe Tan
Rustic Brick
Charcoal
Bronze
Dark Bronze
Black

**NON-PRECOMPRESSED FOAM VERTICAL APPLICATION**

- EXPOSED FINISH: (SEE COLOR CHART)
- STOCK LENGTHS: 6.5 FT (2.0M) STICKS

PROPRIETARY AND CONFIDENTIAL: THE INFORMATION CONTAINED IN THIS DRAWING, IS SOLE PROPERTY OF NYSTROM. ANY REPRODUCTION IN PART OR AS A WHOLE, WITHOUT THE WRITTEN PERMISSION OF NYSTROM, IS PROHIBITED. © 2020 NYSTROM, INC.

PROJECT:			
ARCHITECT:			
CONTRACTOR:			
QTY:			
PART#:		EJN-QTT	
 9300 73 <sup>rd</sup> Ave N., Minneapolis, MN 55428 800-547-2635 info@nystrom.com		TITLE: ACOUSTIC VERTICAL FOAM SYSTEM - RECESSED APPLICATION (2 OR 3 SIDED)	
NAME	DATE	SIZE	DWG. NO.
DRAWN JPK	01/23/24	A	<b>EJN-QTT</b>
RELEASED		WEIGHT:	SHEET 1 OF 1