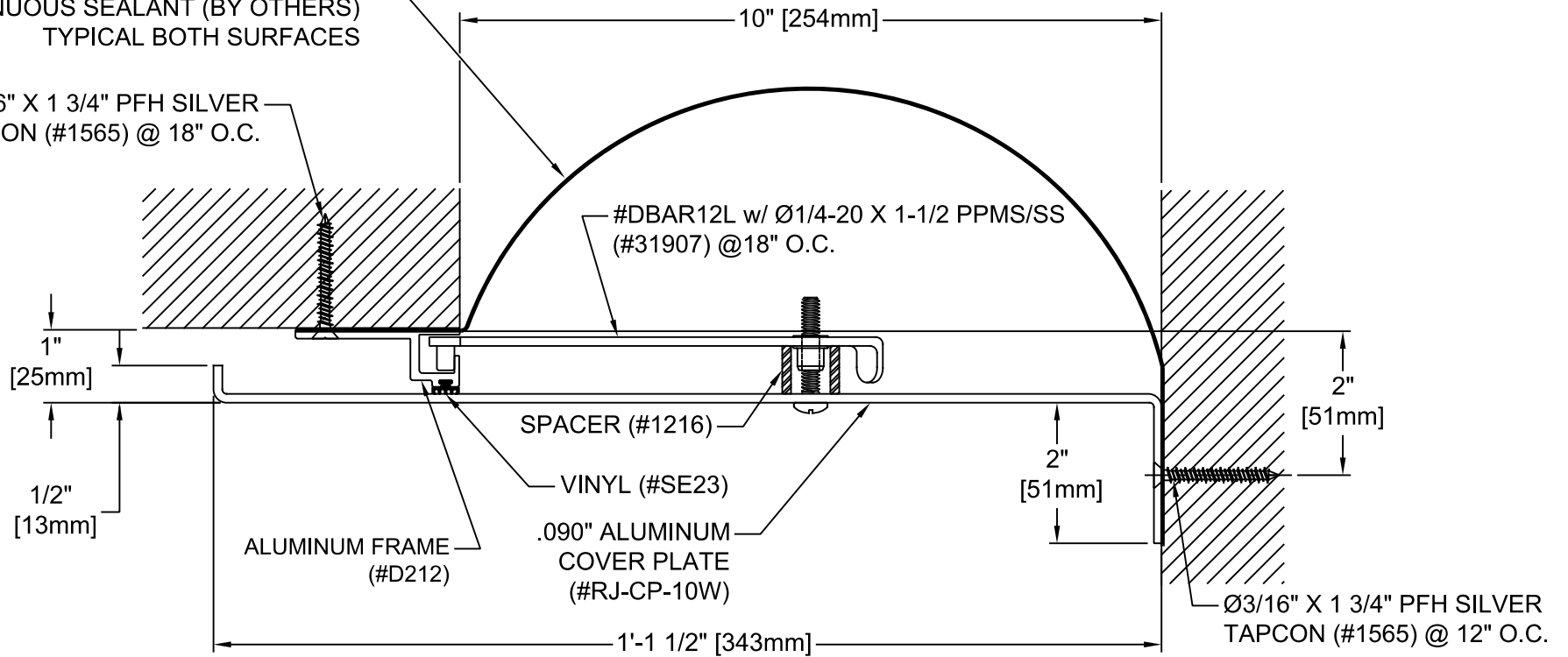


MOISTURE BARRIER (#21953) SET IN
BED OF CONTINUOUS SEALANT (BY OTHERS)
TYPICAL BOTH SURFACES

Ø3/16" X 1 3/4" PFH SILVER
TAPCON (#1565) @ 18" O.C.




ALUMINUM WALL SYSTEM EXTERIOR APPLICATION

EXPOSED FINISH: MILL

MOVEMENT: +/- 25% NOMINAL JOINT WIDTH

STOCK LENGTHS: 10'-0"

PROJECT:			
ARCHITECT:			
CONTRACTOR:			
QTY:			
PART#:		EJN-RJE-1000W	
 9300 73 rd Ave N., Minneapolis, MN 55428 800-547-2635 info@nystrom.com		TITLE: SEISMIC ALUMINUM WALL SYSTEM EXTERIOR APPLICATION	
NAME	DATE	SIZE	DWG. NO.
JPK	10/02/24	A	EJN-RJE-1000W
RELEASED		WEIGHT:	SHEET 1 OF 1