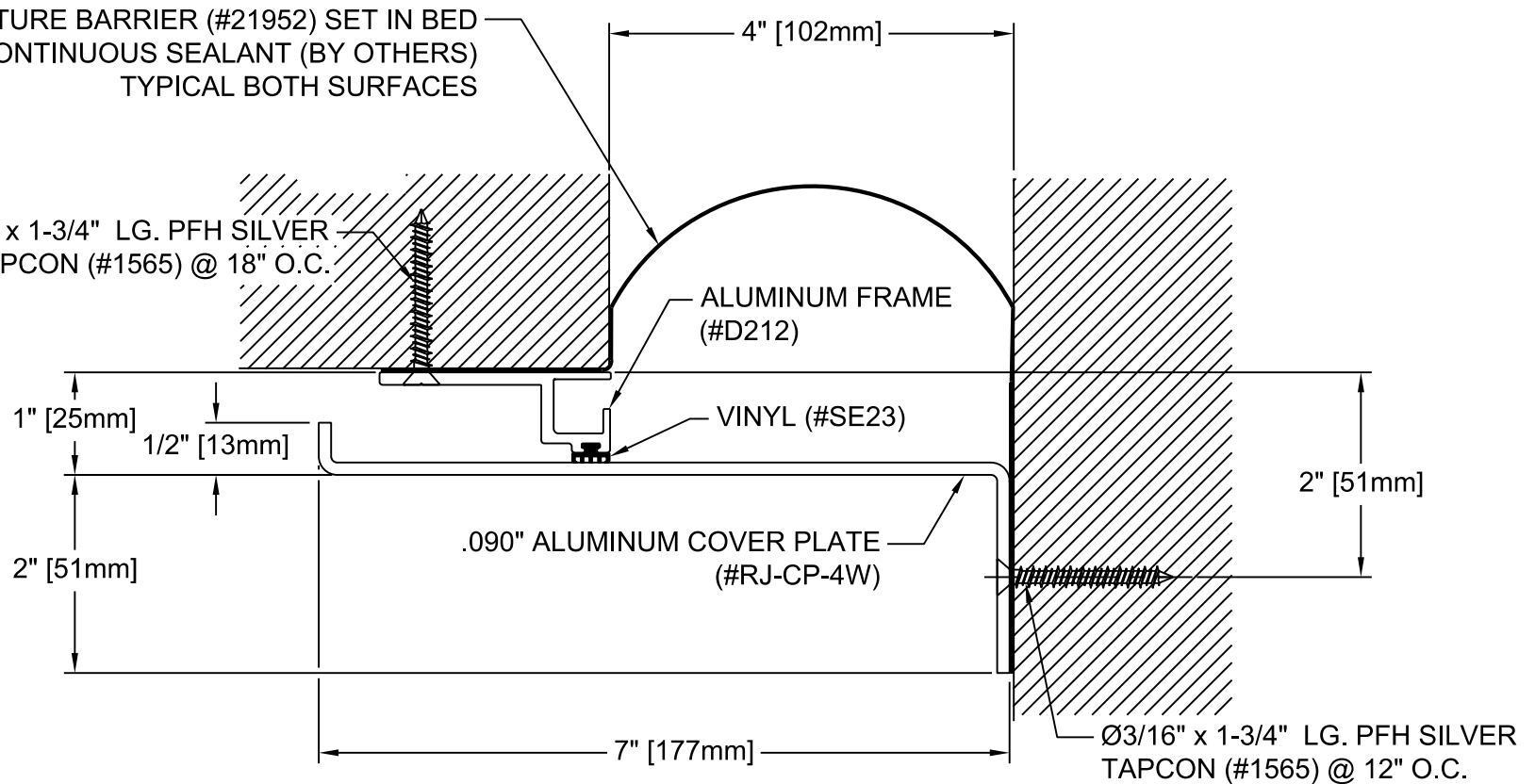


MOISTURE BARRIER (#21952) SET IN BED OF CONTINUOUS SEALANT (BY OTHERS) TYPICAL BOTH SURFACES

Ø3/16" x 1-3/4" LG. PFH SILVER TAPCON (#1565) @ 18" O.C.




**ALUMINUM WALL SYSTEM EXTERIOR APPLICATION**

EXPOSED FINISH: MILL

MOVEMENT: +/- 25% NOMINAL JOINT WIDTH

STOCK LENGTHS: 10'-0"

PROJECT:			
ARCHITECT:			
CONTRACTOR:			
QTY:			
PART#:		EJN-RJE-400W	
 9300 73 <sup>rd</sup> Ave N., Minneapolis, MN 55428 800-547-2635 info@nystrom.com		TITLE: SEISMIC ALUMINUM WALL SYSTEM EXTERIOR APPLICATION	
NAME	DATE	SIZE	DWG. NO.
DRAWN JPK	03/18/24	A	<b>EJN-RJE-400W</b>
RELEASED		WEIGHT:	SHEET 1 OF 1