

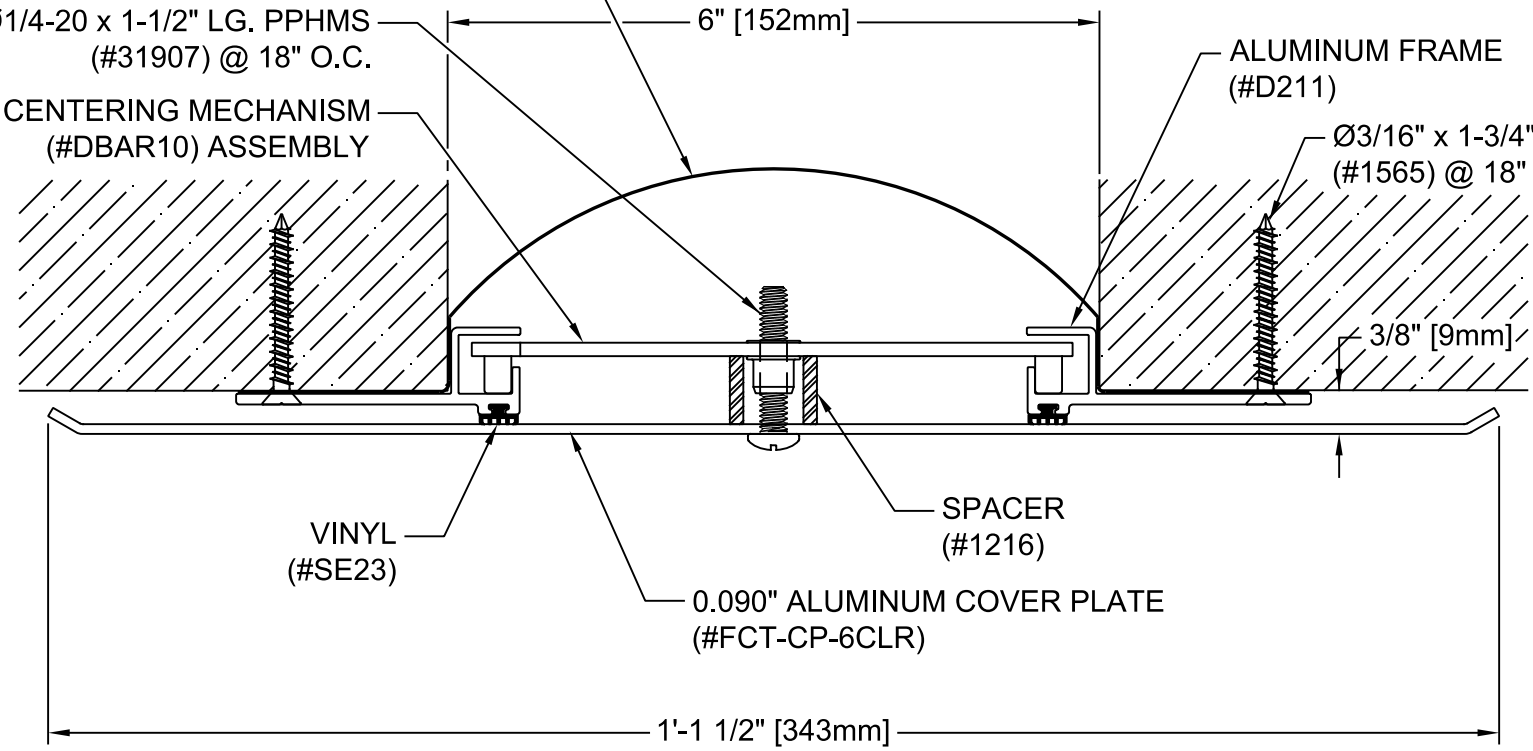
MOISTURE BARRIER (#21952) SET IN BED OF CONTINUOUS SEALANT (BY OTHERS) TYPICAL BOTH SURFACES

Ø1/4-20 x 1-1/2" LG. PPHMS (#31907) @ 18" O.C.

CENTERING MECHANISM (#DBAR10) ASSEMBLY

ALUMINUM FRAME (#D211)

Ø3/16" x 1-3/4" LG. PFH SILVER TAPCON (#1565) @ 18" O.C. (TYP)




VINYL (#SE23)

SPACER (#1216)

0.090" ALUMINUM COVER PLATE (#FCT-CP-6CLR)

**EXTERIOR WALL SYSTEM SURFACE MOUNT APPLICATION**

EXPOSED FINISH: CLEAR ANODIZED  
 MOVEMENT: +/- 50% NOMINAL JOINT WIDTH  
 STOCK LENGTHS: 10'-0"

PROJECT:		
ARCHITECT:		
CONTRACTOR:		
QTY:		
PART#:		EJN-RJX-600
 9300 73rd Ave N., Minneapolis, MN 554428 800-547-2635 info@nystrom.com		TITLE: SEISMIC ALUMINUM EXTERIOR WALL SYSTEM SURFACE MOUNT APPLICATION
NAME	DATE	SIZE DWG. NO.
DRAWN JPK	07/24/23	A EJN-RJX-600
RELEASED		WEIGHT: SHEET 1 OF 1

PROPRIETARY AND CONFIDENTIAL: THE INFORMATION CONTAINED IN THIS DRAWING, IS SOLE PROPERTY OF NYSTROM. ANY REPRODUCTION IN PART OR AS A WHOLE, WITHOUT THE WRITTEN PERMISSION OF NYSTROM, IS PROHIBITED. © 2020 NYSTROM, INC.