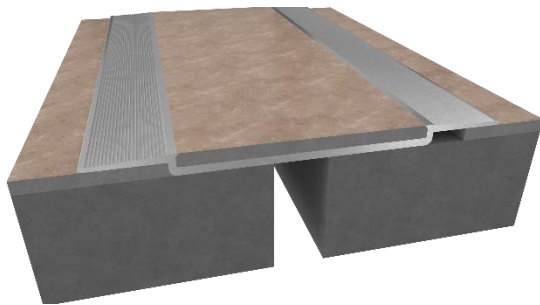


ALUMINUM FLOORING SYSTEM – DOUBLE WING INFILL APPLICATION

Model(s): DA

DA Floor to Floor System



GENERAL DESCRIPTION

Nystrom Double Wing Flooring Infill System is designed to cover thermal expansion joint openings. Constructed of aluminum and designed to integrate with carpet, tile and VCT flooring, with a minimal sight line.

GENERAL SAFETY PRECAUTIONS Improper selection, installation, or use can cause personal injury or property damage. It is solely the responsibility of the user, through their own analysis, to select products suitable to the specific application requirements, ensure proper maintenance and use as intended. Follow local, state, and federal regulations for proper installation and operation requirements.

Introduction + Safety

Please read the complete instructions carefully before beginning any work. To ensure proper installation and performance of the product, the following actions must be completed by the installing contractor. Failure to do so will affect product warranty.

Transportation + Storage

- Inspect all shipments and materials for missing or damaged components and hardware.
- Material must be stored in a clean, dry location.

Preparation

- Locate the packing slip(s) and/or shop drawings.
- Verify that all products listed on the packing slip are included in the package.
- Check the products for damage. If products are damaged, report a freight claim immediately and leave the products in their packaging. If you sign for products without reporting damage, you waive your right to a freight claim and will be responsible for replacement costs.
- Read the instructions thoroughly before beginning installation.

Tool List

- Tape measure
- Chop saw to cut product to length
- Electric drill with 1/4" masonry bit
- Broom & dustpan or vacuum

Included with the expansion joint system:

- 1/4" Sleeve anchors

Preinstallation

1. Ensure that the floor is smooth. High spots should be ground down and low spots filled in. Make sure floor is clean by sweeping and/or vacuuming floor.

INSTALLATION

1. Position the cover plate over the expansion joint, making sure that the holes in the plate are at least 1-1/4" from the edge of the expansion joint. Mark hole locations and mark 5/8" in from the end of the non-anchored side of the plate. This marks the end of the finished floor on that side of the expansion joint. On the anchored side, mark the location where the offset starts in the plate. This marks the end of the finished floor on that side of the expansion joint. Remove the plate and drill 1/4" holes for the supplied anchors. **See Figure 1.**

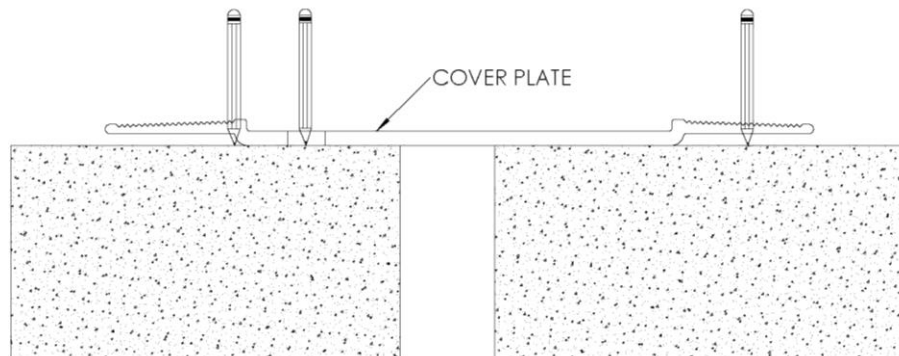


FIGURE 1

- 2. The floor should be finished (by others) on the anchored and non-anchored side of the expansion joint, up to the locations marked in Step 1. **See Figure 2.**

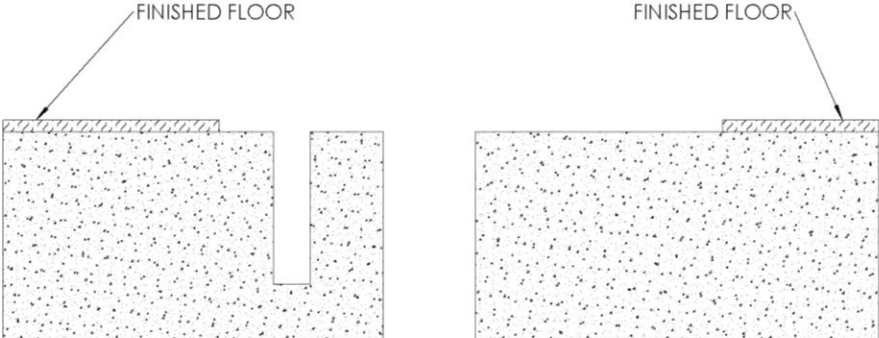


FIGURE 2

- 3. Position the cover plate into position and attach with the supplied 1/4" anchors through the previously drilled holes. The wing on the cover plate should overlap the finished floor on the non-anchored side by 5/8" and the flooring should butt against the offset on the anchored side. **See Figure 3.**

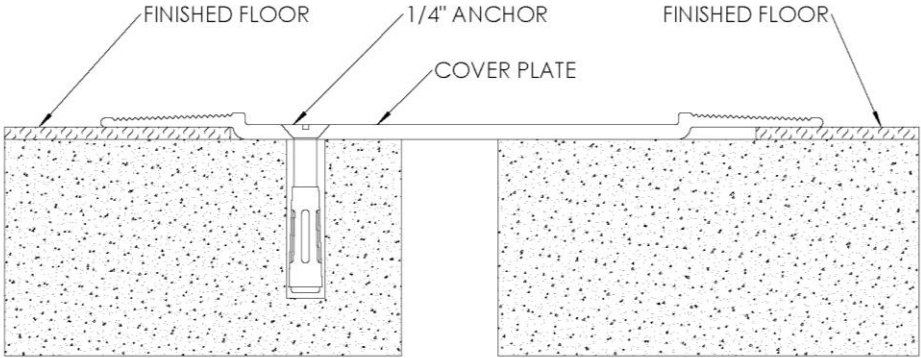


FIGURE 3

4. Finished flooring (by others) can now be installed in the middle-recessed area of the cover plate. **See Figure 4.**

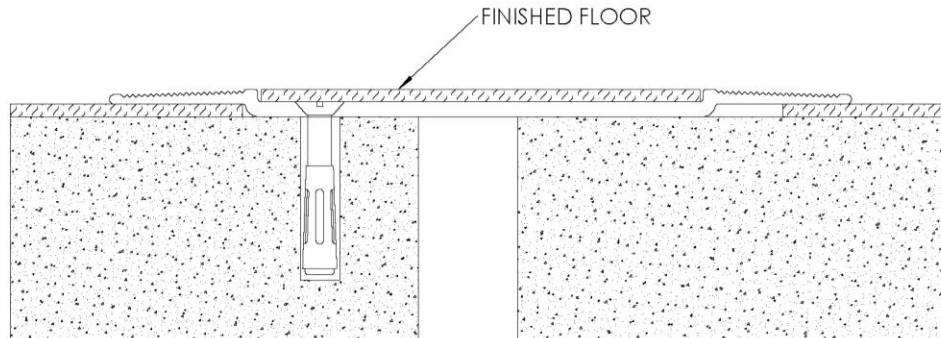


FIGURE 4

OPERATION

Expansion Joints are designed and built for years of dependable service.

MAINTENANCE

Perform annual inspections to make sure the system is in position. Repair and/or replace as needed.

QUESTIONS?

For more information on installation, repair or replacement, please contact Customer & Sales Support at 800-547-2635 or visit nystrom.com