

ALUMINUM HINGED FLOORING SYSTEM – SINGLE WING INFILL APPLICATION

MODEL(S): FA150/FA150w

FA150 Floor to Floor Cover System



GENERAL DESCRIPTION

The Single Wing Hinged Flooring Infill System is designed with a hinged cover to accommodate horizontal and vertical thermal movement. This surface mounted system is designed to integrate with carpet and VCT flooring to provide a minimal sight line.

GENERAL SAFETY PRECAUTIONS Improper selection, installation, or use can cause personal injury or property damage. It is solely the responsibility of the user, through their own analysis, to select products suitable to the specific application requirements, ensure proper maintenance and use as intended. Follow local, state, and federal regulations for proper installation and operation requirements.

Introduction + Safety

Please read the complete instructions carefully before beginning any work. To ensure proper installation and performance of the product, the following actions must be completed by the installing contractor. Failure to do so will affect product warranty.

Transportation + Storage

- Inspect all shipments and materials for missing or damaged components and hardware.
- Material must be stored in a clean, dry location.

Preparation

- Locate the packing slip(s) and/or shop drawings.
- Verify that all products listed on the packing slip included in the package.
- Check the products for damage. If products are damaged, report a freight claim immediately and leave the products in their packaging. If you sign for products

without reporting damage, you waive your right to a freight claim and will be responsible for replacement costs.

- Read the instructions thoroughly before beginning installation.

Tool List

- Tape measure
- Phillips
- Hex screwdriver
- Slotted Drivers for Anchors
- Levels
- Awls
- Rubber mallet
- Wooden block
- Trowel
- Chop saw to cut product to length
- Electric drill with 3/8” masonry bit
- Broom & dustpan or vacuum

Included with the expansion joint system:

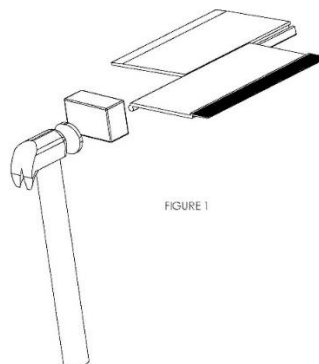
- Sleeve anchors, 3/8”

Pre-Installation

1. Ensure that the floor is smooth and level. High spots should be ground down and low spots filled in. Make sure the floor is clean by sweeping and/or vacuuming.

INSTALLATION

1. Cut and fit expansion joints to required length, if installing more than one piece lay out entire run to insure proper alignment. The cover plates will need to be assembled. This is done by applying a lubricant to the half round protuberance on the male cover plate and sliding it into the round channel on the female cover plate. The cover plates may need to be forced together by pounding the plate from the end using a rubber mallet and a block of wood. **Figure 1**



2. Position the cover plate into the expansion joint with the channel area of the female cover plate placed tight against the inside of the expansion joint. The concrete on the male cover plate side of the floor should be marked $5/8$ " from the offset in the male cover plate. This is where the flooring should end on this side of the expansion joint. **See Figure 2**

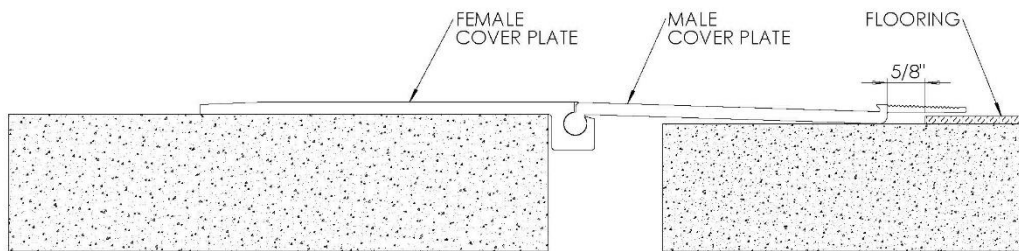


FIGURE 2

3. Install the cover plate by marking the hole locations in the female cover plate on both ends and drilling a $3/8$ " hole into the concrete and attaching the cover plate with the supplied $3/8$ " sleeve anchor. Follow anchor manufacturer's recommendations for proper anchor installation. Once the two end anchors are installed, the rest of the hole locations can be drilled and attached with the sleeve anchors. **See Figure 3**

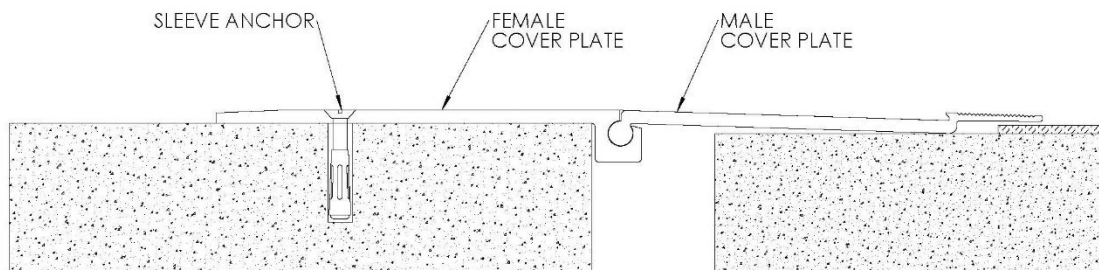


FIGURE 3

- Flash patch (by others) on anchored side and feather back 3” to 6” to assure a smooth transition. **See Figure 4**

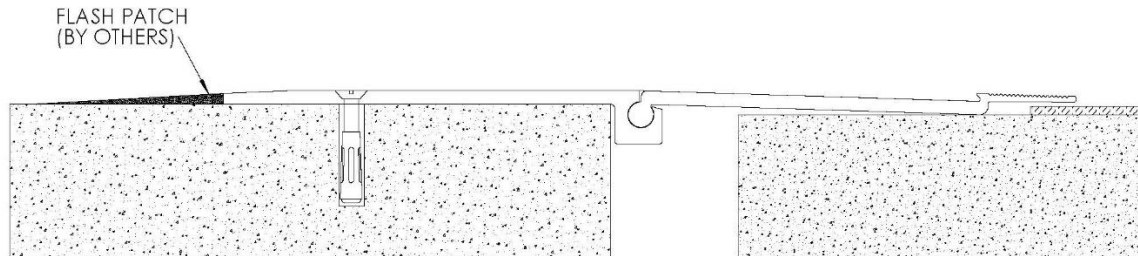


FIGURE 4

- Finished flooring (by others) can now be installed on the anchored side of the expansion joint. The finished flooring should butt tightly against the raised wing portion of the cover plate. **See Figure 5**

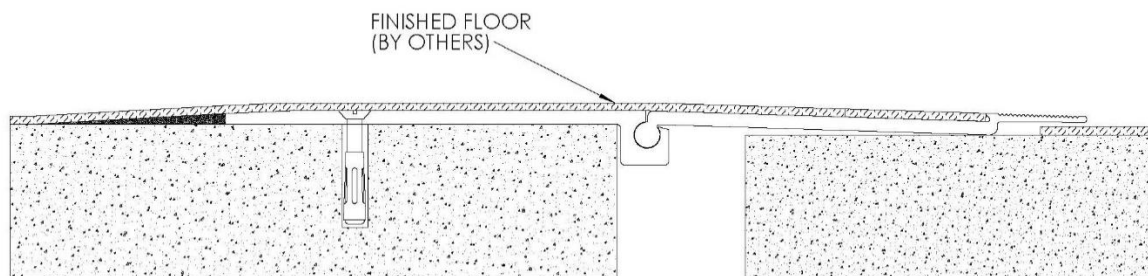
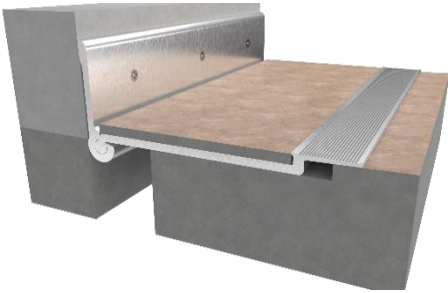


FIGURE 5

FA150w Floor to Wall Cover System



GENERAL DESCRIPTION

Nystrom FA150w Hinged Interior Cover System is designed to match the FA150 cover plate in floor to wall applications.

Tool List

- Tape measure
- Phillips
- Hex screwdriver
- Slotted Drivers for Anchors
- Levels
- Awls
- Rubber mallet
- Wooden block
- Chop saw to cut product to length
- Electric drill with 5/32" standard/masonry bit
- Broom & dustpan or vacuum

Preinstallation

1. Ensure that the floor is smooth and level. High spots should be ground down and low spots filled in. Make sure the floor is clean by sweeping and/or vacuuming.

INSTALLATION

1. Cut and fit expansion joints to required length, if installing more than one piece, lay out entire run to insure proper alignment. The floor plate will need to be assembled with the wall plate. This is done by applying a lubricant to the half round protuberance on the floor plate and sliding it into the round channel on the wall plate. The plates may need to be forced together by pounding the plate from the end using a rubber mallet and a block of wood. **See Figure 1**

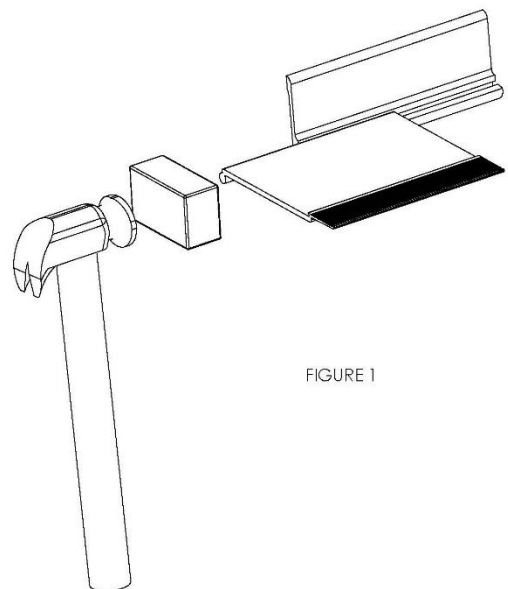


FIGURE 1

2. Position the cover system into the expansion joint with the wall plate placed tight against the wall and the floor plate sitting level on the floor. The concrete on the floor plate side of the floor should be marked 5/8" from the offset in the floor plate. This is where the flooring should end on this side of the expansion joint. **See Figure 2**

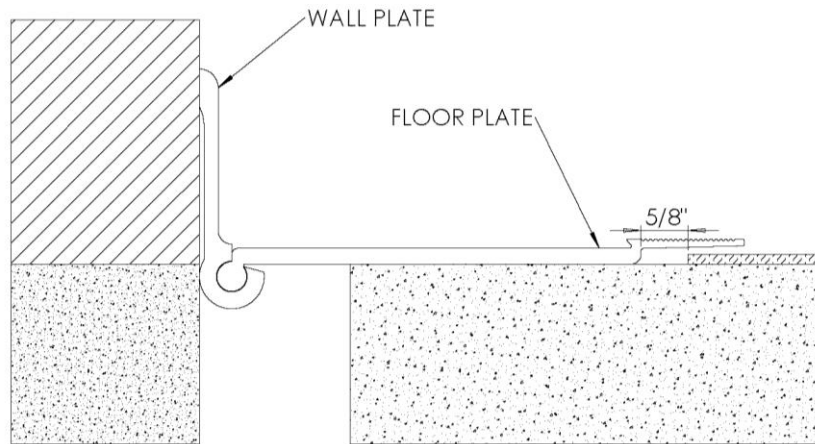


FIGURE 2

3. Install the cover system by attaching it to the wall through the predrilled holes in the wall plate with appropriate fasteners (by others) for the wall type. Make sure the floor plate is level and resting on floor. The two ends of the wall plate should be installed first and then fasten through the rest of the predrilled holes in the wall plate. **See Figure 3**

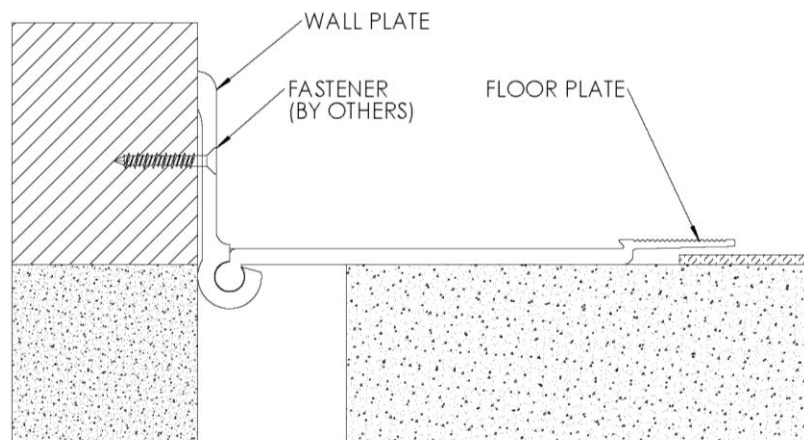


FIGURE 3

4. Finished flooring can now be install on the top face of the floor plate up the offset.

See Figure 4

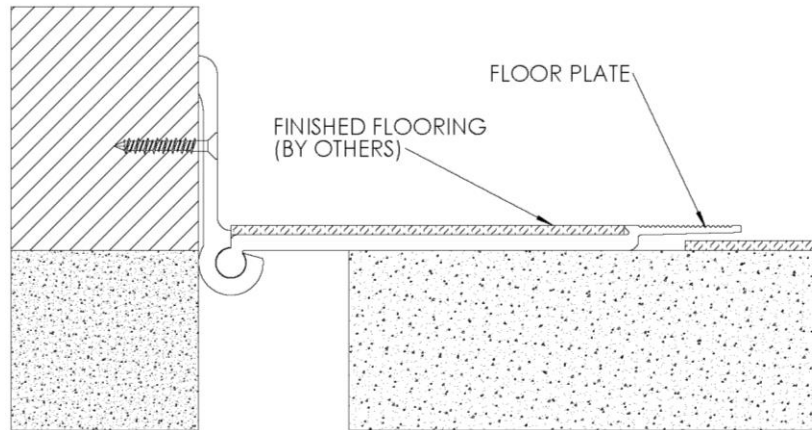


FIGURE 4

OPERATION

Expansion Joints are designed and built for years of dependable service.

MAINTENANCE

Annual inspections should be performed to make sure the system is in position. Repair and/or replace as needed.

QUESTIONS?

For more information on installation, repair or replacement, please contact Customer & Sales Support at 800-547-2635 or visit nystrom.com