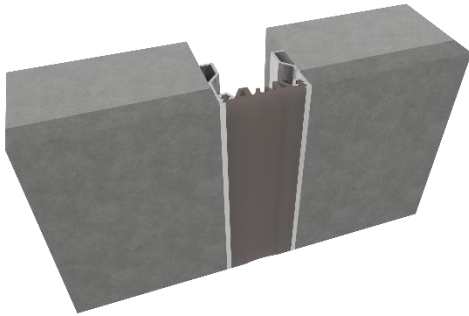


ELASTOMERIC CORRIDOR WALL & CEILING SYSTEM – RECESSED APPLICATION

MODEL(S): EJM-LCWF/LCWFw

LCWF Wall to Wall / Ceiling to Ceiling Cover System



GENERAL DESCRIPTION

The Elastomeric Corridor System limits the sight line of the expansion joint by mounting inside the joint opening and allows a color selection to match your surrounding substrate and finish surroundings.

Introduction + Safety

Please read the complete instructions carefully before beginning any work. To ensure proper installation and performance of the product, the following actions must be completed by the installing contractor. Failure to do so will affect product warranty.

GENERAL SAFETY PRECAUTIONS Improper selection, installation, or use can cause personal injury or property damage. It is solely the responsibility of the user, through their own analysis, to select products suitable to the specific application requirements, ensure proper maintenance and use as intended. Follow local, state, and federal regulations for proper installation and operation requirements.

Transportation + Storage

- Inspect all shipments and materials for missing or damaged components and hardware.
- Material must be stored in a clean, dry location.

Preparation

- Locate the packing slip(s) and/or shop drawings.
- Verify that all products listed on the packing slip are included in the package.
- Check the products for damage. If products are damaged, report a freight claim immediately and leave the products in their packaging. If you sign for products without reporting damage, you waive your right to a freight claim and will be responsible for their replacement cost.
- Read the instructions thoroughly before beginning installation.

Tool List

- Tape measure
- Chop saw to cut product to length
- Electric drill with 5/32" masonry bit (concrete wall) & 3/16" metal bit
- Utility knife
- Sealant
- Structural adhesive
- Wood blocking
- Level
- Broom & dustpan or vacuum
- 2" Seam roller or similar

Preinstallation

1. Ensure that the area where the expansion system is being installed is smooth and level.

INSTALLATION (EJN-LCWF-100 Only)

1. Using a continuous bead of structural adhesive (by installer) applied to the rear side of the extrusions, install both extrusions in the expansion joint as shown. **See Figure 1.**

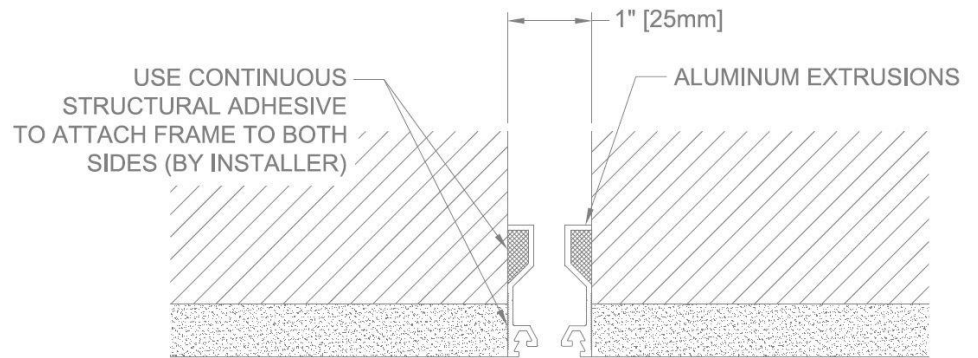


FIGURE #1

2. Position the elastomeric seal into position and push the seal bulbs into the extrusion channels as shown. Use a seam roller as necessary to make sure the bulbs are seated all the way into the channel (stagger seams, as necessary). **See Figure 2**

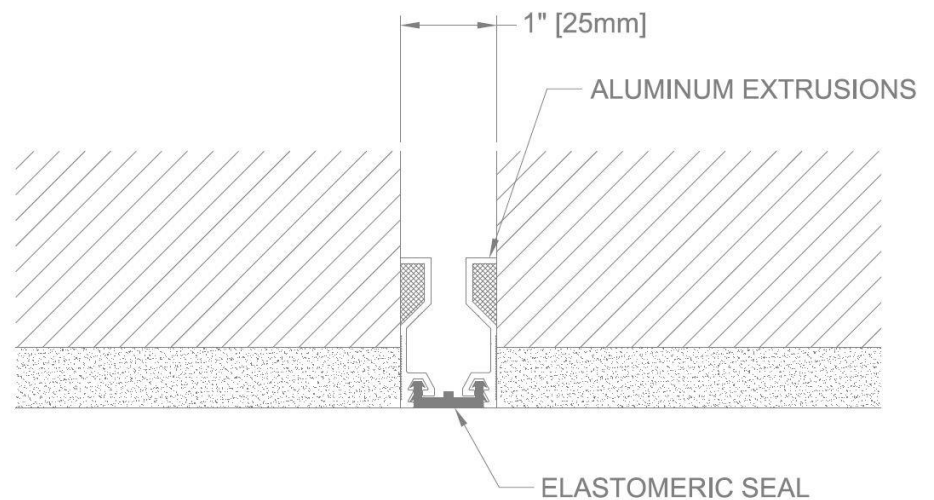


FIGURE #2

INSTALLATION (EJN-LCWF-200 & -300 Only)

1. Attach the aluminum extrusions with an appropriate length drywall screw (by installer), making sure it penetrates the substrate. When attaching to a concrete wall, drill a hole into concrete using a $\text{Ø}5/32$ " masonry bit and attach using $\text{Ø}3/16$ " Tapcon anchors (by installer) (stagger seams, as necessary). **See Figure 3.**

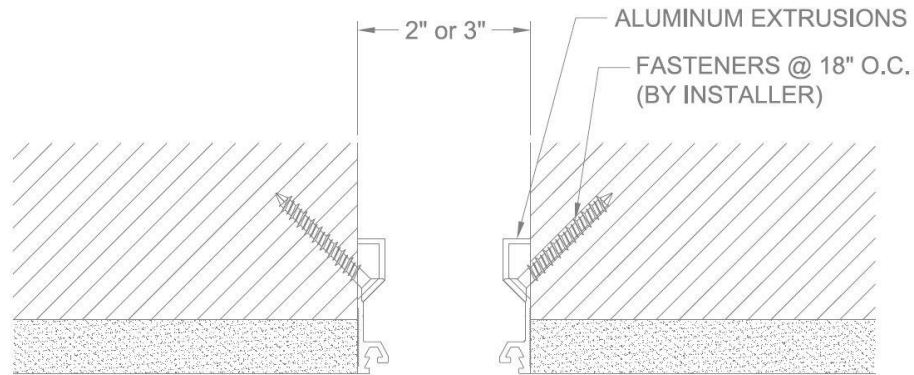


FIGURE #3

2. Position the elastomeric seal into position and push the seal bulbs into the extrusion channels as shown. Use a seam roller as necessary to make sure the bulbs are seated all the way into the channel. Do not stretch the seal lengthwise during installation (stagger seams, as necessary). **See Figure 4.**

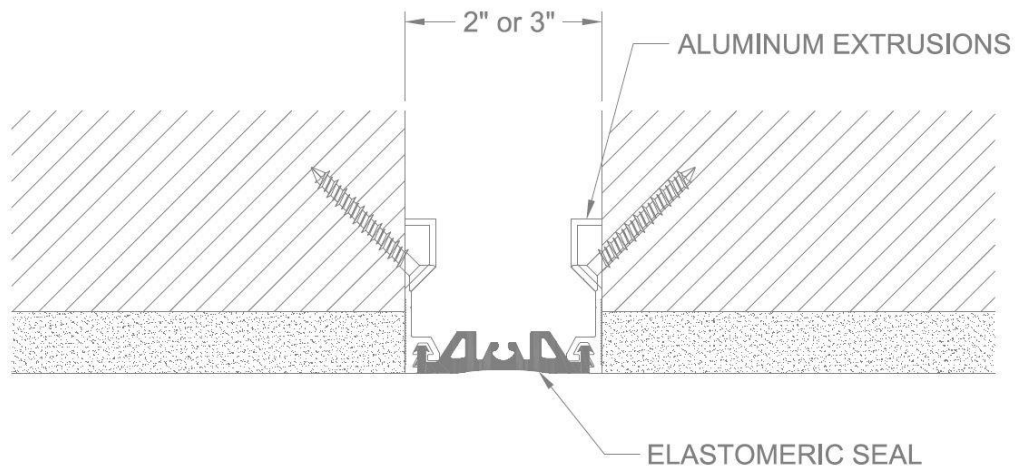
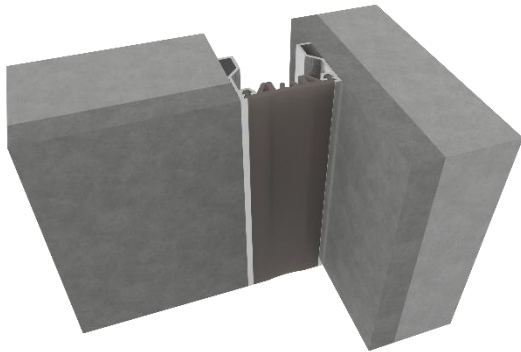


FIGURE #4

LCWFw Wall to Corner / Ceiling to Corner Cover System



GENERAL DESCRIPTION

Nystrom LCWFw Recessed Application Elastomeric System is designed to match the LCWF system in corner applications.

Preinstallation

1. Ensure that the area where the expansion system is being installed is smooth and level.

INSTALLATION (EJN-LCWFw-100 Only)

1. Using a continuous bead of structural adhesive (by installer) applied to the rear side of the extrusions, install both extrusions in the expansion joint as shown. **See Figure 5.**

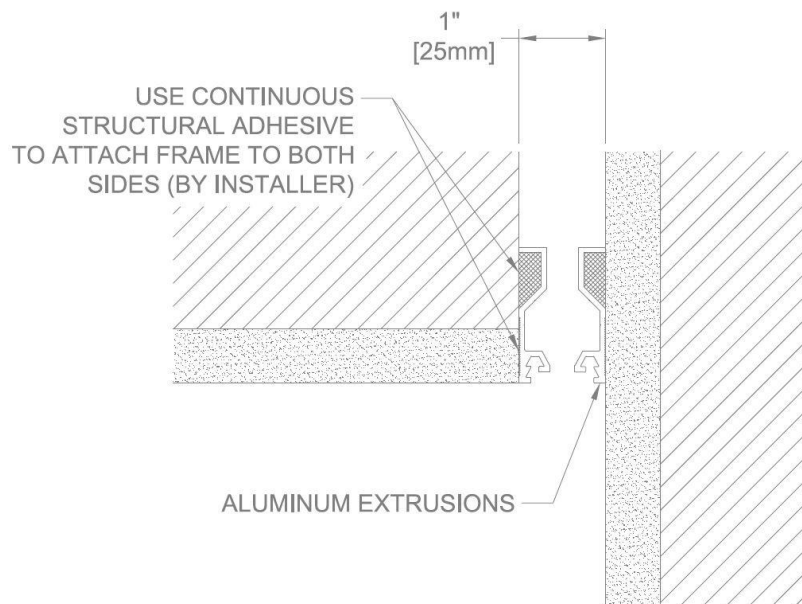
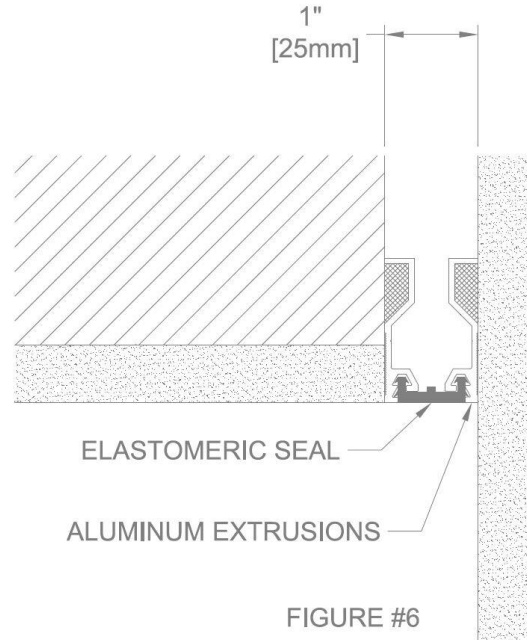


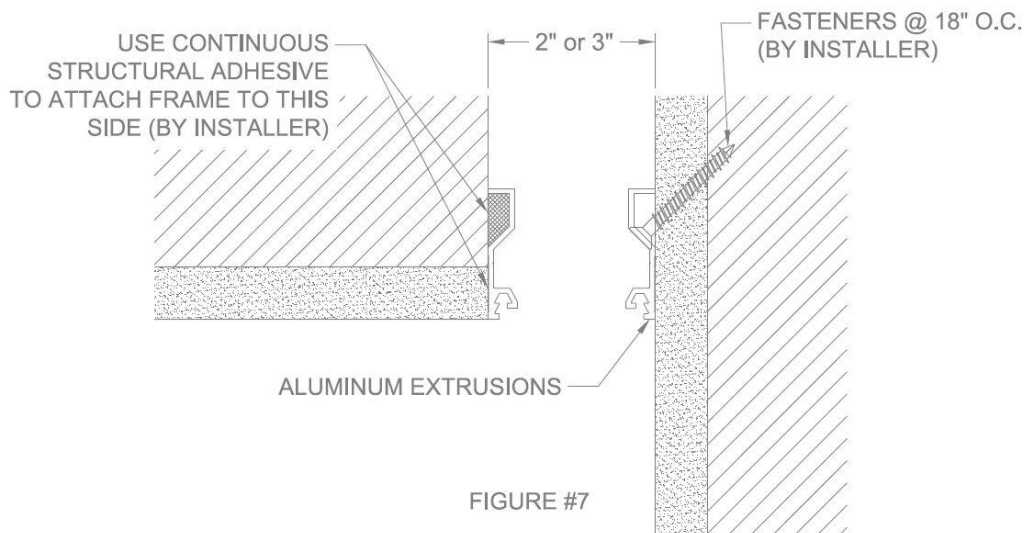
FIGURE #5

2. Position the elastomeric seal into position and push the seal bulbs into the extrusion channels as shown. Use a seam roller as necessary to make sure the bulbs are seated all the way into the channel (stagger seams, as necessary). **See Figure 6.**



INSTALLATION (EJN-LCWFw-200 & -300 Only)

1. Using a continuous bead of structural adhesive (by installer) applied to the rear side of the extrusion, install one extrusion in the expansion joint as shown and attach the other with appropriate fasteners (by others) for the substrate, 18" on center. When attaching to a concrete wall, drill a hole into concrete using a $\text{Ø}5/32$ " masonry bit and attach using $\text{Ø}3/16$ " Tapcon anchors (by installer) (stagger seams, as necessary). **See Figure 7.**



2. Position the elastomeric seal into position and push the seal bulbs into the extrusion channels as shown. Use a seam roller as necessary to make sure the bulbs are seated all the way into the channel (stagger seams, as necessary). **See Figure 8.**

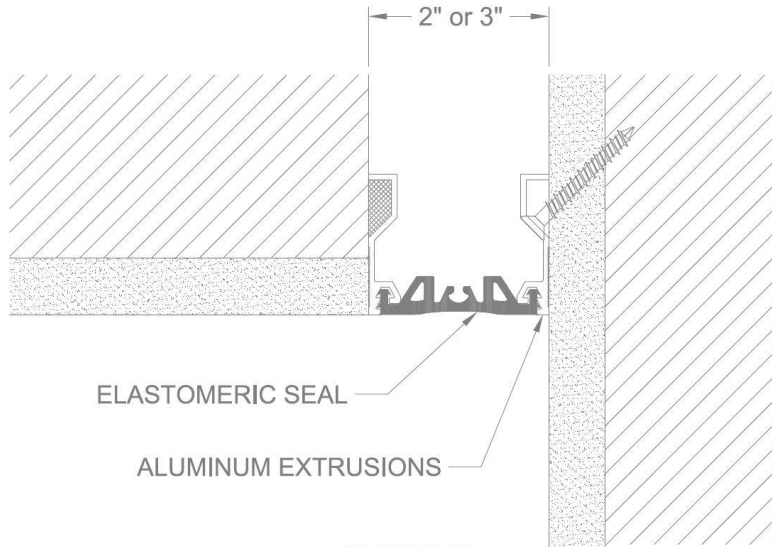


FIGURE #8

FIELD SPLICE FOR FLAT ELASTOMERIC SEAL

1. Determine the angle needed and cut ends of seal in a miter box with a sharp, non-serrated knife. **See Figure 1**

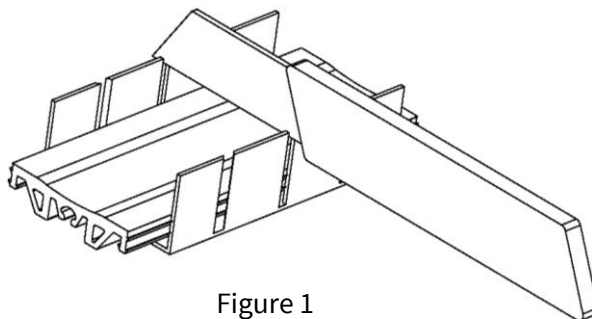


Figure 1

- Using a solvent (by others) that is safe for elastomeric materials clean the ends of the seals. **See Figure 2**

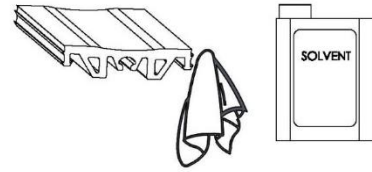


Figure 2

- Apply a super glue, cyanoacrylate type (non-gel) or similar adhesive (by others) and follow instructions by the adhesive manufacturer. **See Figure 3**

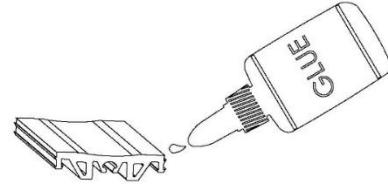
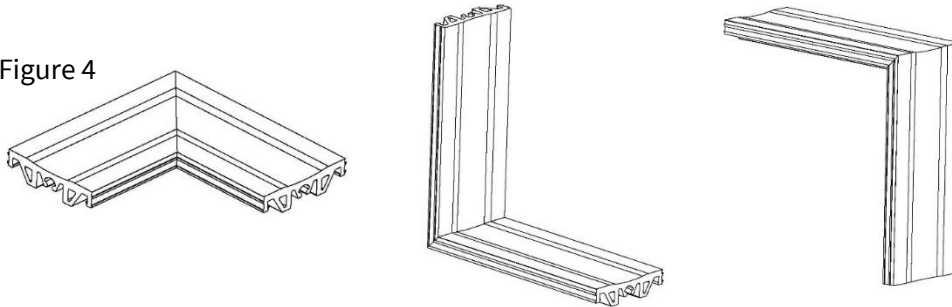


Figure 3

- Check the splices after the adhesive has cured and reapply adhesive as necessary. Allow 15 minutes prior to installing seal. It typically takes 24 hours for adhesive to fully cure and achieve proper working strength. Ensure that the splice of the seal is not within 2” of a joint in the aluminum extrusion. **See Figure 4**

Figure 4



OPERATION

Expansion Joints are designed and built for years of dependable service.

MAINTENANCE

Perform annual inspections to make sure the system is in position; all fasteners are tight and in place and that there is no impedance of joint cover movement. Repair and/or replace as needed.

QUESTIONS?

For more information on installation, repair or replacement, please contact Customer & Sales Support at 800-547-2635 or visit nystrom.com