

SEISMIC ALUMINUM ROOF CANT SYSTEM

Model(s): **RJF/RJFw**

EJN-RJF Roof to Roof Cover System



GENERAL DESCRIPTION

Nystrom Seismic Aluminum Roof Cant System is designed to handle ice and snow loads. Integral flashing, weather seals, and moisture barriers keep outside elements from penetrating the structural opening and interior areas. This is an all-aluminum system engineered for flat and sloped roofs that are subject to thermal and seismic movement.

GENERAL SAFETY PRECAUTIONS Improper selection, installation, or use can cause personal injury or property damage. It is solely the responsibility of the user, through their own analysis, to select products suitable to the specific application requirements, ensure proper maintenance and use as intended. Follow local, state, and federal regulations for proper installation and operation requirements.

Introduction + Safety

Please read the complete instructions carefully before beginning any work. To ensure proper installation and performance of the product, the following actions must be completed by the installing contractor. Failure to do so will affect product warranty.

Transportation + Storage

- Inspect all shipments and materials for missing or damaged components and hardware.
- Material must be stored in a clean, dry location.

Preparation

- Locate the packing slip(s) and/or shop drawings.
- Verify that all products listed on the packing slip are included in the package.
- Check the products for damage. If products are damaged, report a freight claim immediately and leave the products in their packaging. If you sign for products without reporting damage, you waive your right to a freight claim and will be responsible for replacement costs.
- Read the instructions thoroughly before beginning installation.

Tool List

- Tape measure
- Chop saw to cut product to length
- Level
- Broom & dustpan or vacuum
- Electric drill with 3/32" wood/metal bit and #10" hex driver
- 17/64" metal/bit and Ø1/4" Philips head driver
- Rubber mallet
- Proper PPE (gloves, eye protection)

Included with the expansion joint system:

- #31907 : Ø1/4-20 x 1-1/2" Lg. PPMS/SS to anchor cover
- #32027 : #10 x 1-1/2" Sheet Metal Roofing Screw
- #SE23 : Vinyl gasket.

Preinstallation

1. Ensure that the area where the expansion joint is being installed is smooth and level and that the roofing membrane is properly in place.

INSTALLATION (EJN-RJF-200 THRU EJN-RJF-1200)

1. Install moisture barrier set in bed of continuous sealant (by others). Ensure proper drape and relaxation to accommodate joint movement. Temporarily hold in place with tape. Note: final installation must see roof membrane overlap moisture barrier (included with expansion joint system). **See Figure 1.**

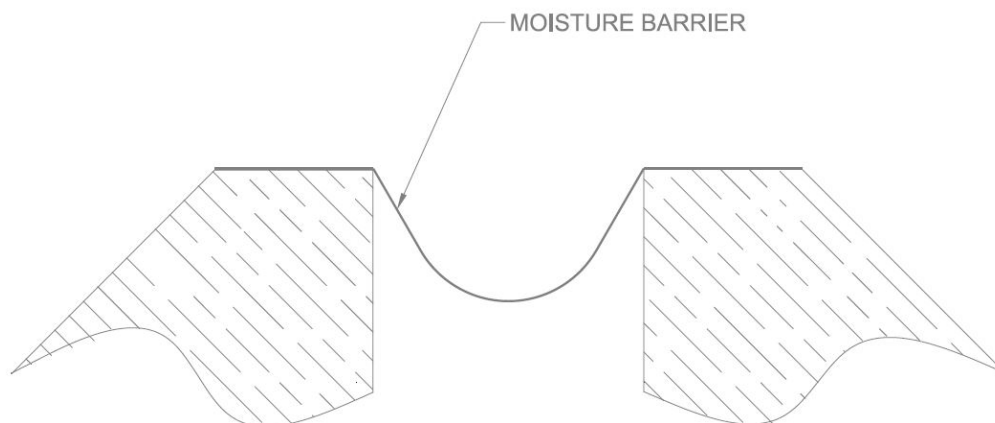


Figure #1

2. Install vinyl gasket (#SE23) into aluminum base frames first (not in place)– use soapy water mix if needed to install gasket, then place aluminum base frames flush with the inside face of the joint opening per details. **See Figure 2.**

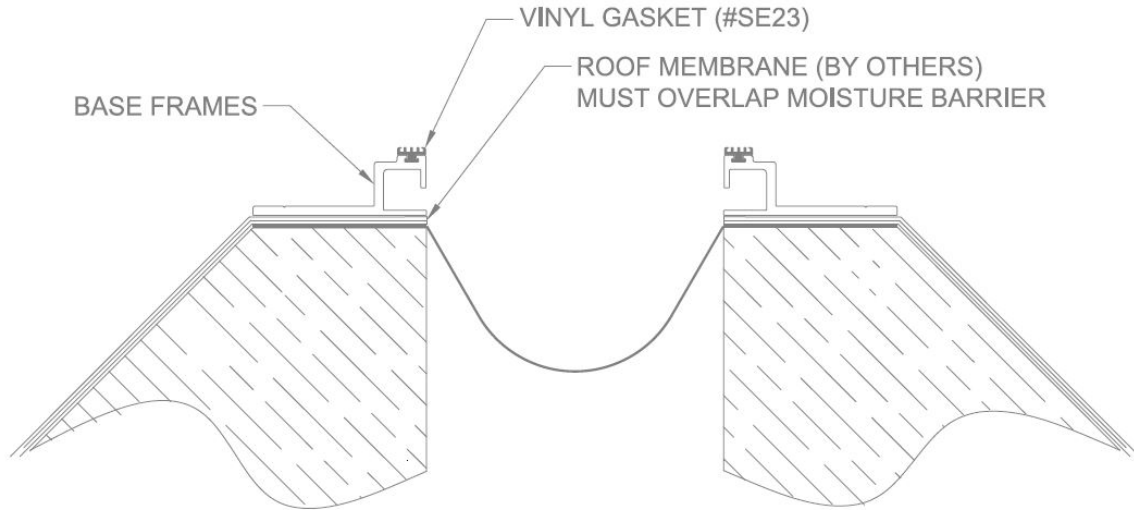


Figure #2

3. Place aluminum frame flashing over the extended ends of the base frames and over the top of the waterproofing membranes (by others). With the appropriate provided fasteners, anchor through the frame flashing and base frames at 12" oc. Apply a bead of sealant (by others) to the end of the cover plate where it butts against the side of the base frames. **See Figure 3.**

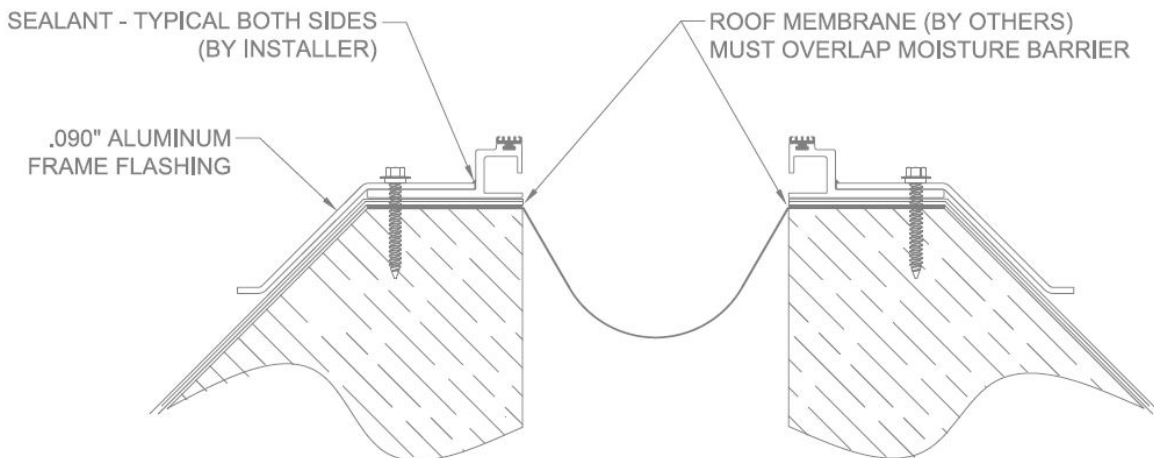


Figure #3

4. Lay the center cover plate over the left base frame with ends flush and mark the cover plate's center holes onto the base frame near the inside edge. Repeat this on the right side. Position the centering bar assembly in the track on the base frames and align with the marked locations. The centering bar assemblies will be diagonal to the opening. Tape may be needed to hold the spring assembly in place. **See Figure 4.**

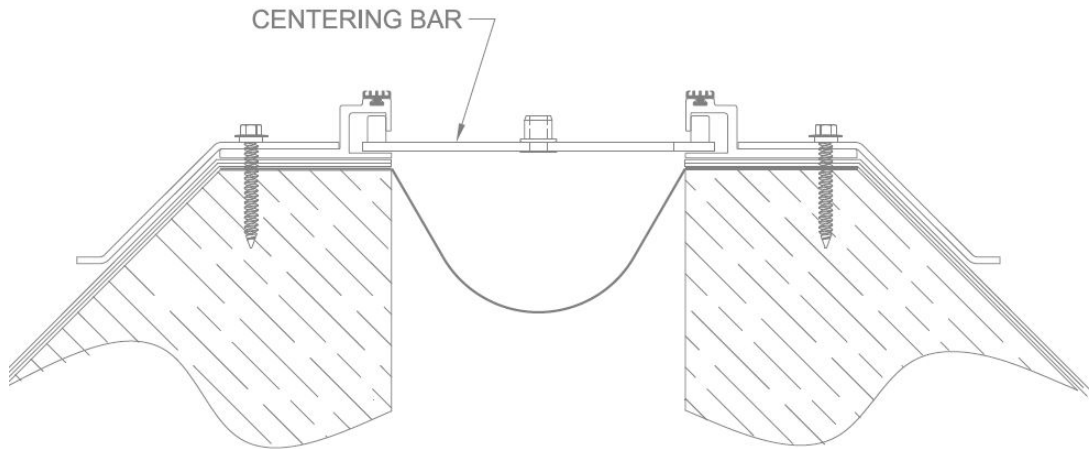


Figure #4

5. Position the cover plate centered over the base frames and with the center hole aligned with the center bar assemblies. Attach the cover plate to the center bar assemblies with the provided hardware and spacers. **See Figure 5 & 5a.**

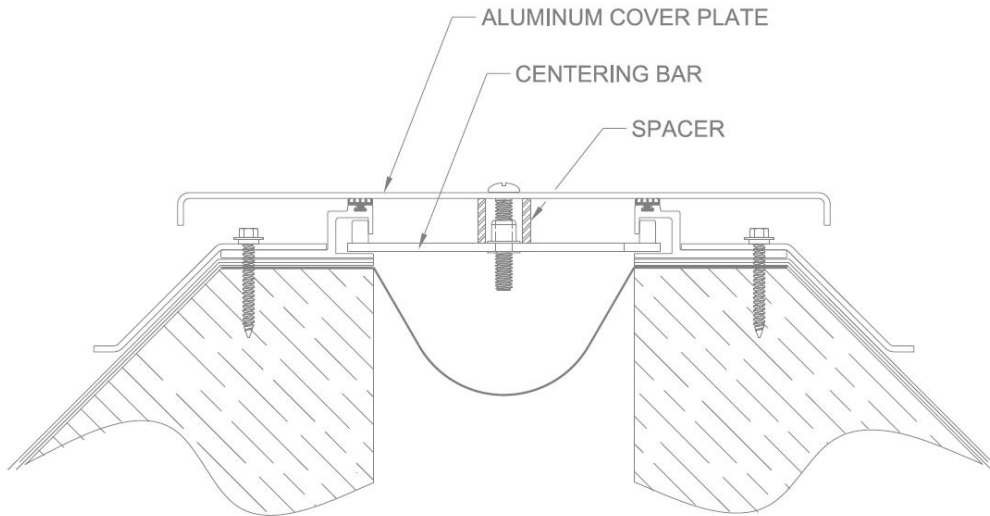


Figure #5

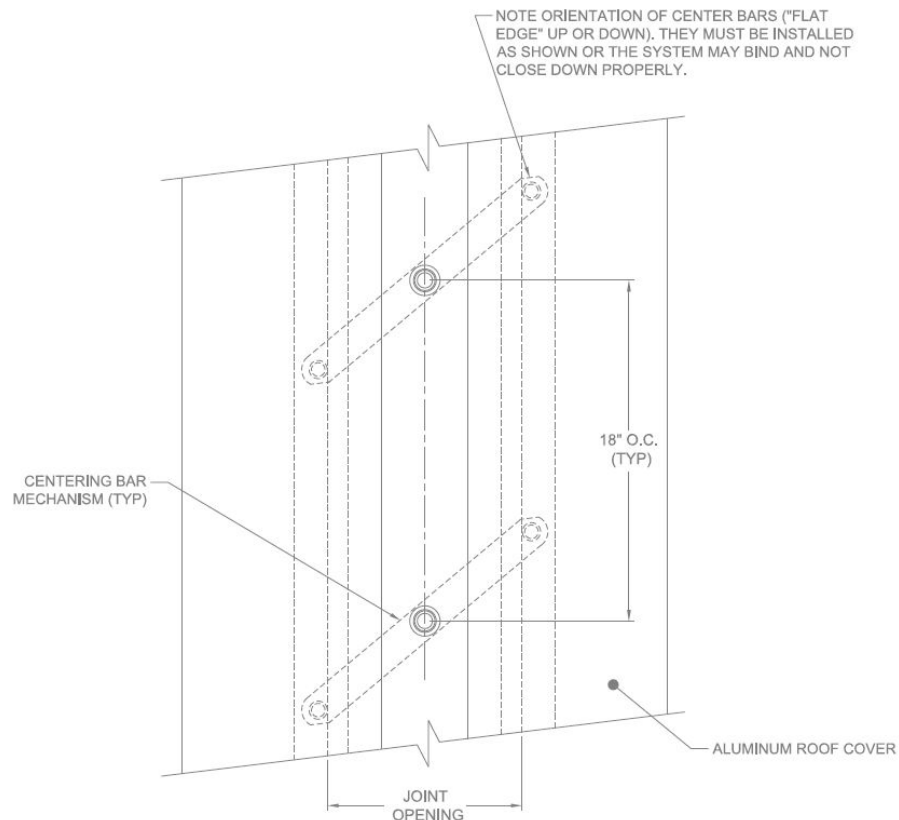
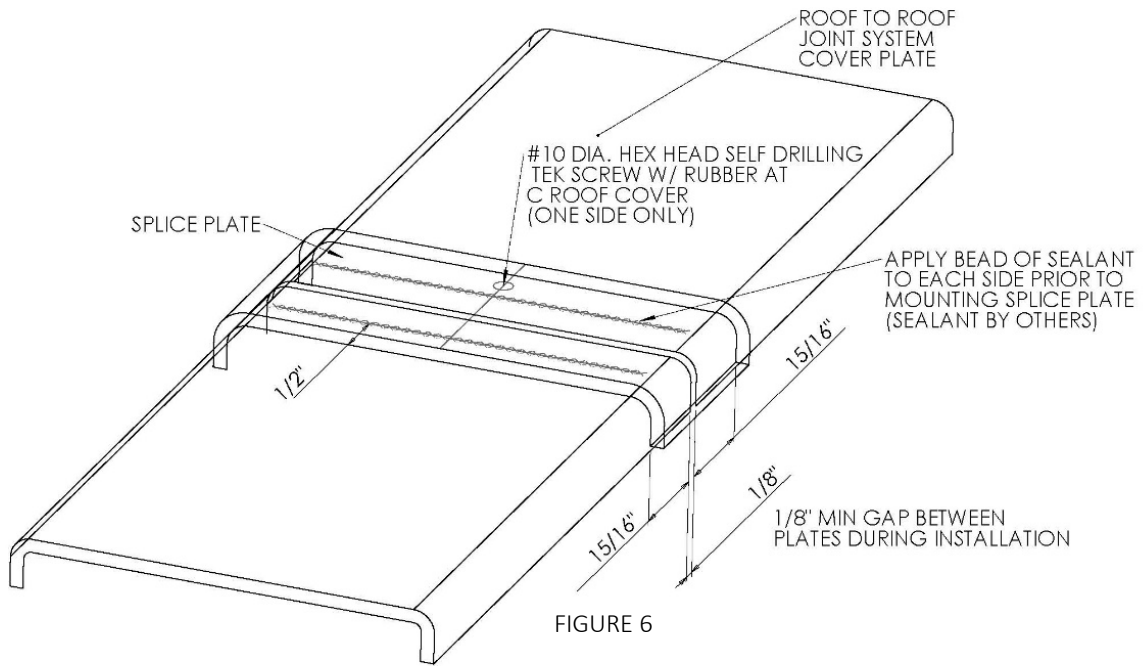


FIGURE #5a - SHOWN AS 'VIEW FROM ABOVE'

6. Install splice plates as needed per **Figure 6**.



EJN-RJFw Roof to Wall Cover System



GENERAL DESCRIPTION

Nystrom Seismic Aluminum Roof Cant Roof to Wall System is designed to match the EJN-RJF cover plate in roof to wall applications.

Tool List

- Tape measure
- Chop saw to cut product to length
- Level
- Broom & dustpan or vacuum
- Electric drill with 3/32" wood/metal bit and #10" hex driver
- 17/64" metal/bit and Ø1/4" Philips head driver
- Rubber mallet
- Proper PPE (gloves, eye protection)

Included with the expansion joint system:

- #31907 : Ø1/4-20 x 1-1/2" Lg. PPMS/SS to anchor cover (8" size and larger only)
- #32027 : #10 x 1-1/2" Sheet Metal Roofing Screw
- #SE23 : Vinyl gasket.

Preinstallation

Ensure that the area where the expansion joint is being installed is smooth and level and that the roofing membrane is properly in place.

INSTALLATION (EJN-RJF-200W THRU EJN-RJF-1200W)

1. Install moisture barrier set in bed of continuous sealant (by others). Ensure proper drape and relaxation to accommodate joint movement. Temporarily hold in place with tape. **See Figure 1.**

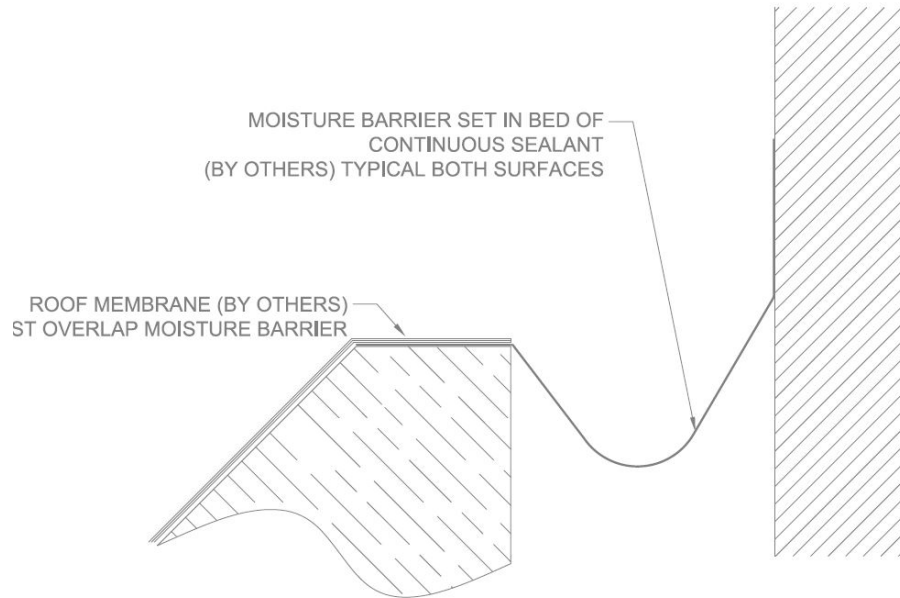


Figure #1

2. Install vinyl gasket (#SE23) into aluminum base frames first (not in place)– use soapy water mix if needed to install gasket, then place aluminum base frames flush with the inside face of the joint opening per details. **See Figure 2.**

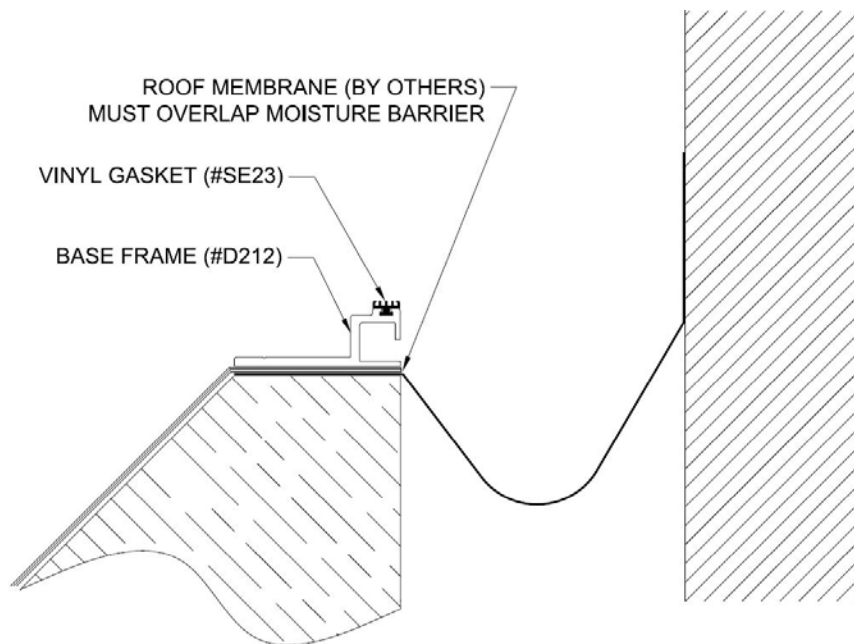


Figure #2

- Place aluminum frame flashing over the extended ends of the base frames and over the top of the waterproofing membranes (by others). With the appropriate provided fasteners, anchor through the frame flashing and base frames at 12" oc. Apply a bead of sealant (by others) to the end of the cover plate where it butts against the side of the base frames. **See Figure 3.**

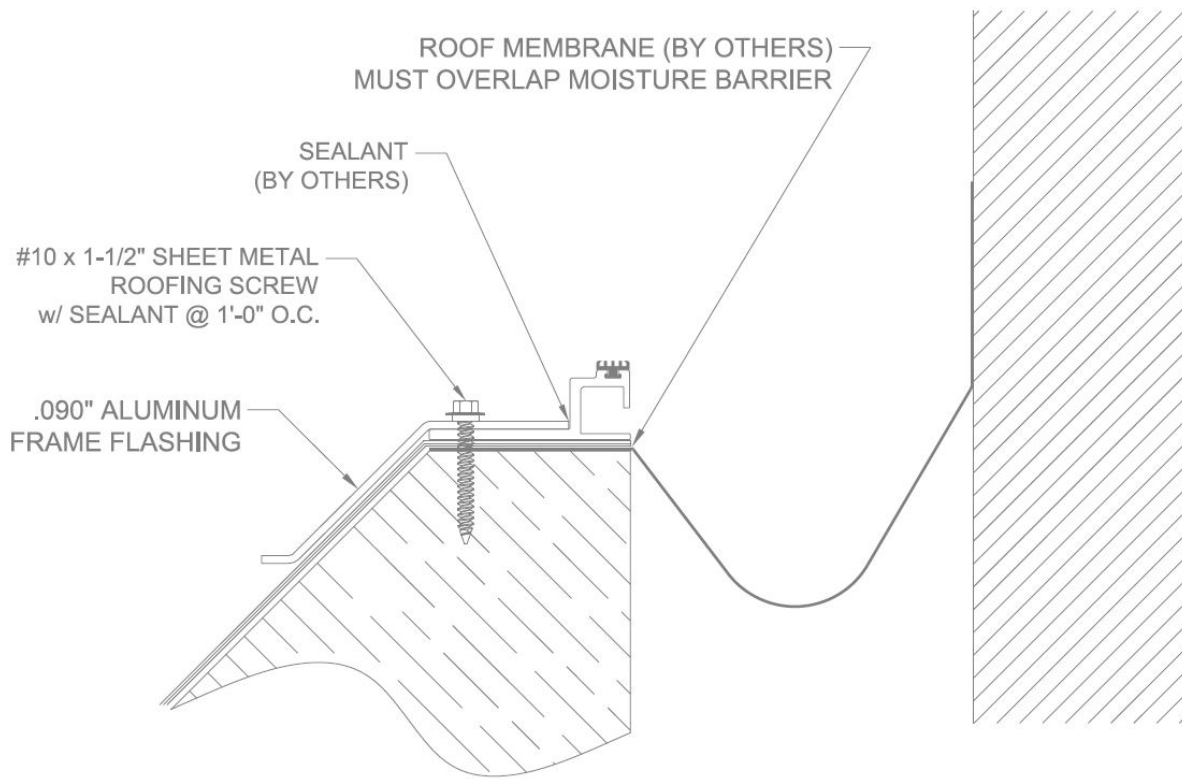


Figure #3

- EJN-RJF-200w through EJN-RJF-600w ONLY** : Position the top cover plate over the base frame and tight against the wall. Make sure the top cover plate is pushed firmly into the elastomeric gasket and then attach the top cover plate by fastening it to the wall with the appropriate provided fasteners 12" oc. **See Figure 4a.**

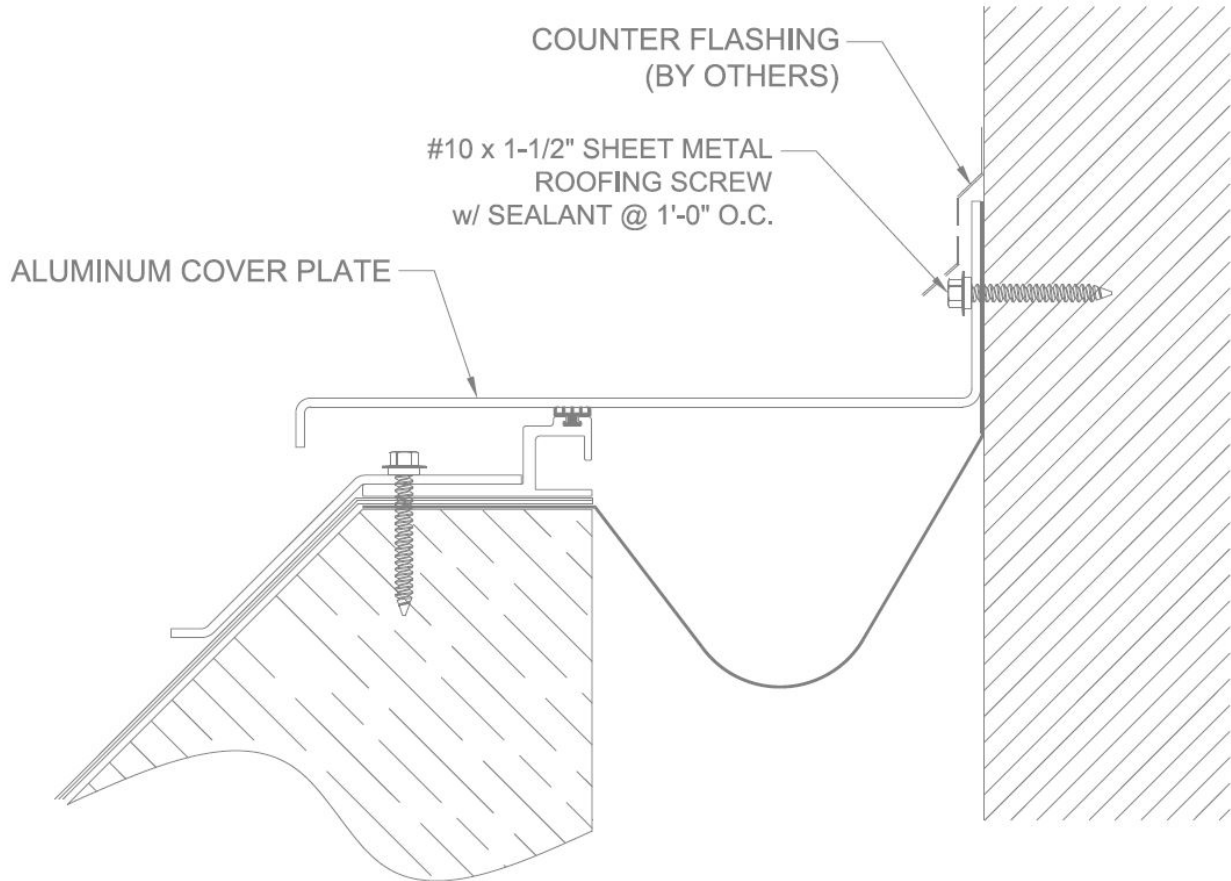


Figure #4a

- EJN-RJF-800w through EJN-RJF-1200w ONLY:** Loosely attach the centering bars to the aluminum cover plate using the provided hardware and spacers. Then position the top cover plate over the base frame and tight against the wall. Make sure the top cover plate is pushed firmly into the elastomeric gasket and then attach the top cover plate by fastening it to the wall with the appropriate provided fasteners 12" oc. Tighten centering bars once confirmed that they have spun into place and are engaged with the base frames. **See Figure 4b.**

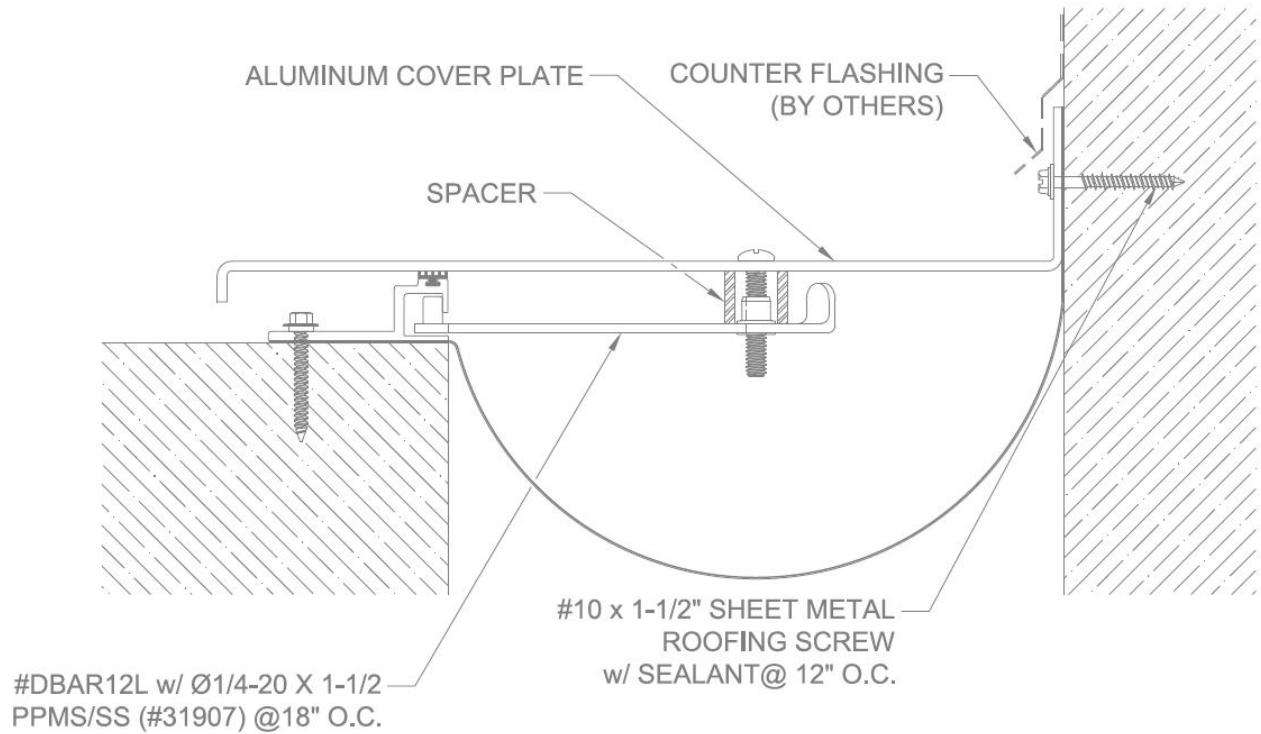


Figure #4b

6. Install splice plates as needed per **Figure 6**.

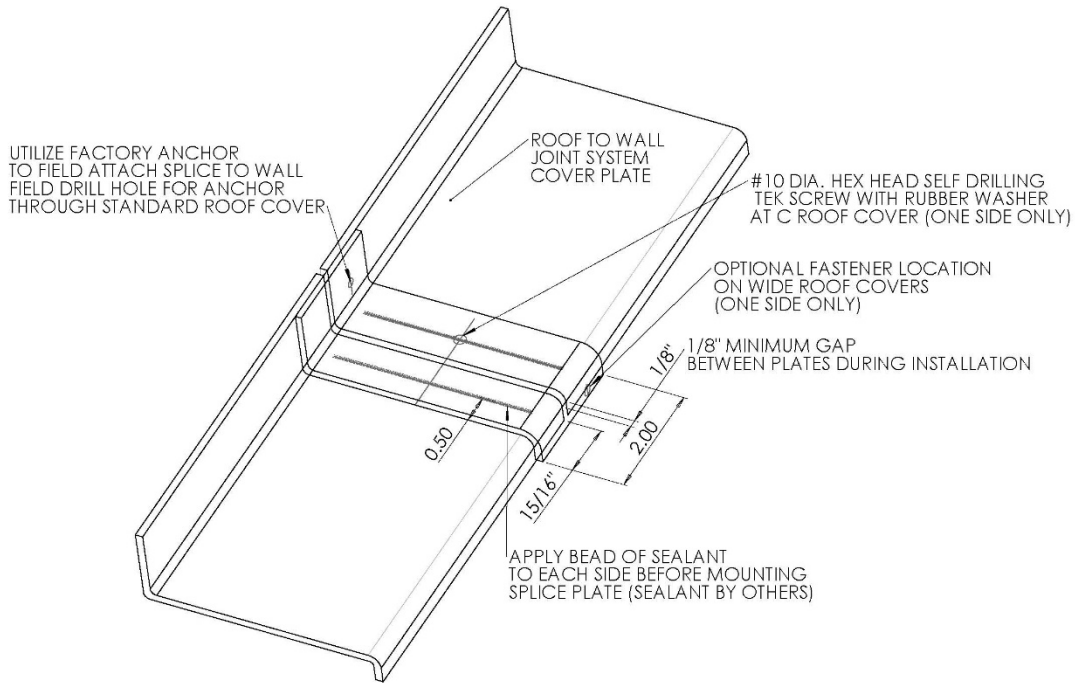


FIGURE 6

OPERATION

Expansion Joints are designed and built for years of dependable service.

MAINTENANCE

Perform annual inspections to make sure the system is in position; all fasteners are tight and in place and there is no impedance of the joint cover movement. Repair and/or replace as needed.

QUESTIONS?

For more information on installation, repair, or replacement, please contact Customer & Sales Support at 800-547-2635 or visit nystrom.com