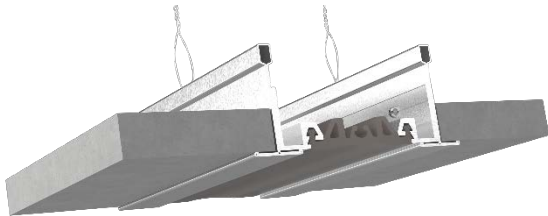


ELASTOMERIC CORRIDOR CEILING SYSTEM – ACOUSTICAL TILE APPLICATION

MODEL(S): EJM-LCA/LCAw

LCA Ceiling to Ceiling Cover System



GENERAL DESCRIPTION

This Elastomeric Acoustical Ceiling System limits the sight line of the expansion joint by using an aluminum channel that attaches to the grid system above the sight line. The finished Santoprene seal comes in four colors to match your surrounding substrate and finish material.

GENERAL SAFETY PRECAUTIONS Improper selection, installation, or use can cause personal injury or property damage. It is solely the responsibility of the user, through their own analysis, to select products suitable to the specific application requirements, ensure proper maintenance and use as intended. Follow local, state, and federal regulations for proper installation and operation requirements.

Introduction + Safety

Please read the complete instructions carefully before beginning any work. To ensure proper installation and performance of the product, the following actions must be completed by the installing contractor. Failure to do so will affect product warranty.

Transportation + Storage

- Inspect all shipments and materials for missing or damaged components and hardware.
- Material must be stored in a clean, dry location.

Preparation

- Locate the packing slip(s) and/or shop drawings.
- Verify that all products listed on the packing slip are included in the package.
- Check the products for damage. If products are damaged, report a freight claim immediately and leave the products in their packaging. If you sign for products

without reporting damage, you waive your right to a freight claim and will be responsible for their replacement cost.

- Read the instructions thoroughly before beginning installation.

Tool List

- Tape measure
- Phillips
- Hex screwdriver
- Slotted Drivers for Anchors
- Levels
- Awls
- Masking tape
- Rubber mallet
- Wooden block
- Trowel
- Chop saw to cut product to length
- Electric drill with 5/32” masonry bit
- Broom & dustpan or vacuum
- Adhesive glue

Preinstallation

1. Inspect that the ceiling system was properly constructed and the joint opening matches what is required by the shop drawings.
2. Remove ceiling grid on both sides of the joint opening to ease installation.

INSTALLATION

1. Position aluminum extrusions on the inside lip of the “T” grid as shown and attach with #6 self-drilling screws 18” on center (stagger seams, as necessary). **See Figure 1**

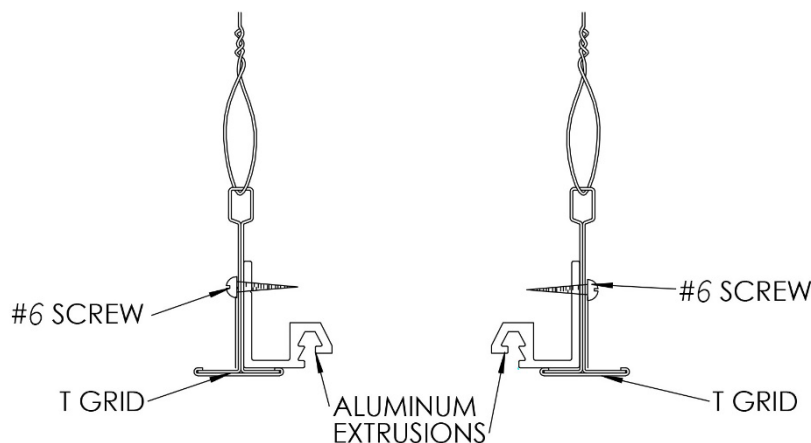


FIGURE 1

2. Position the elastomeric seal into position and push the seal bulbs into the extrusion channels as shown. Make sure you hold the “T” grid securely and seat the bulbs all the way into the channel (stagger seams, as necessary). **See Figure 2**

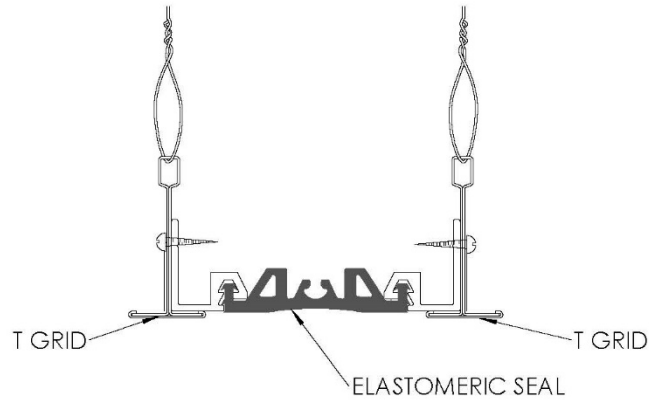


FIGURE 2

3. Replace the ceiling tile on both side of the joint opening. **See Figure 3**

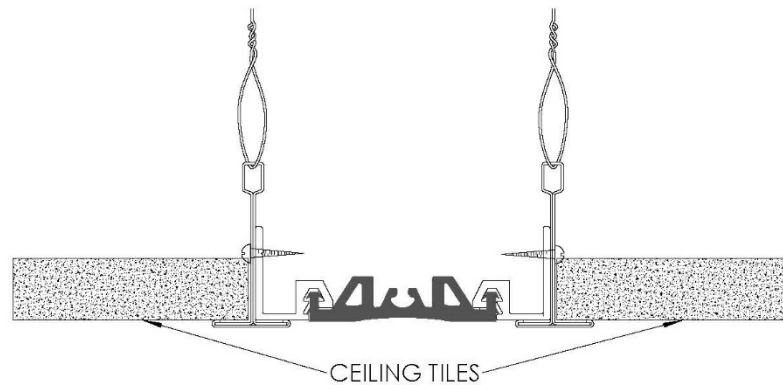
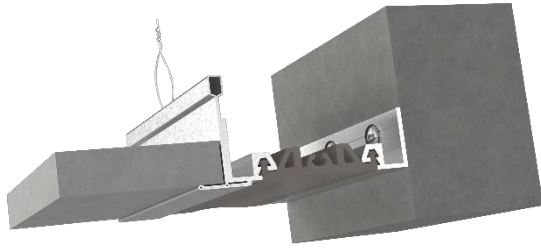


FIGURE 3

LCAw Ceiling to Corner System



GENERAL DESCRIPTION

Nystrom LCAw Interior Elastomeric System is designed to match the LCA system in ceiling to corner applications.

Pre-Installation

1. Inspect that the ceiling system was properly constructed and the joint opening matches what is required by the shop drawings.
2. Remove ceiling grid on the non-wall side of the joint opening to ease installation

INSTALLATION

1. Position aluminum extrusion on the inside lip of the “T” grid as shown and attach with #6 self-drilling screws 18” on center. On the wall side, position the corner extrusion so the extrusions channels are level with each other. Fasten with drywall screws (by others) through the gypsum wallboard and into the steel stud (stagger seams, as necessary). **See Figure 1**

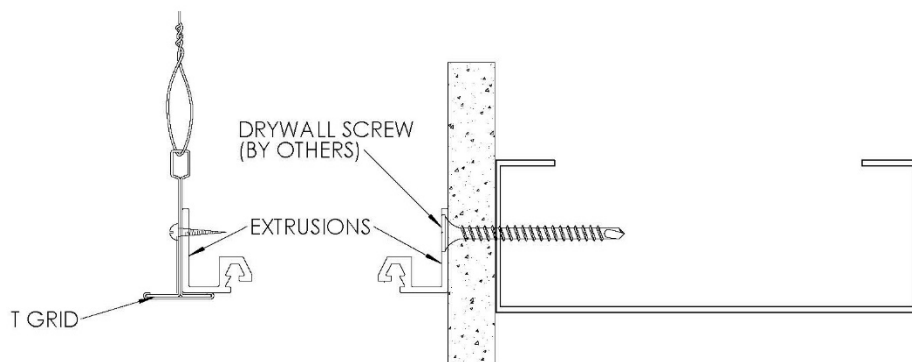


FIGURE 1

2. Position the elastomeric seal into position and push the seal bulbs into the extrusion channels as shown. Make sure you hold the “T” grid securely and seat the bulbs all the way into the channel (stagger seams, as necessary). **See Figure 2**

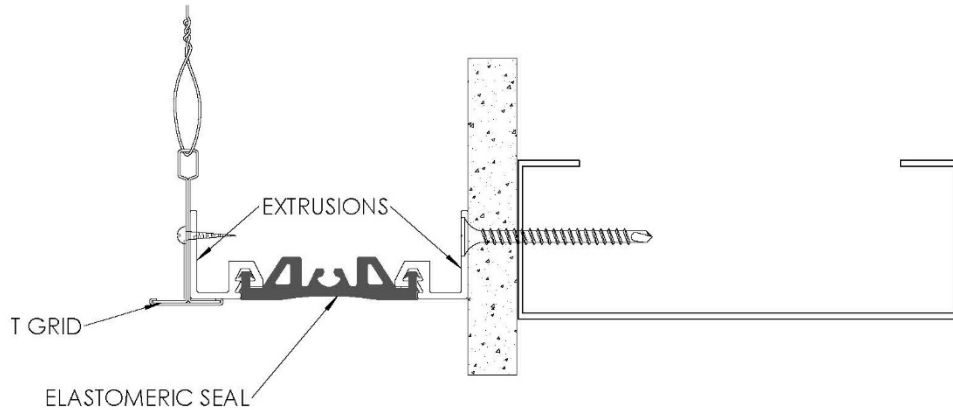


FIGURE 2

3. Replace the ceiling tile on the non-wall side of the joint opening. **See Figure 3**

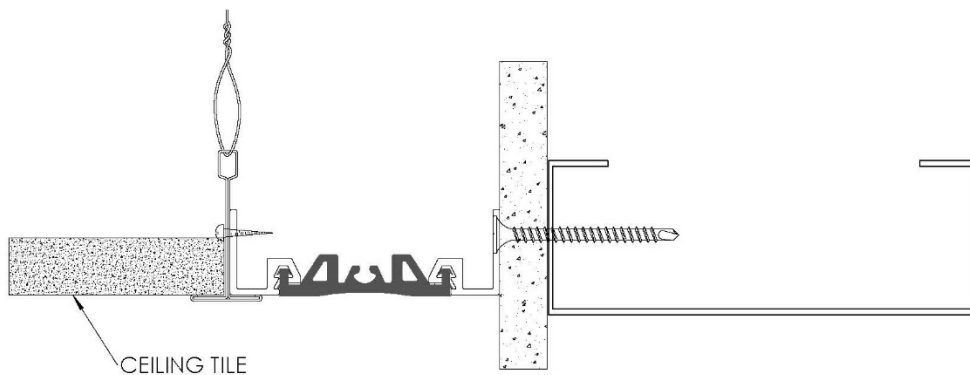


FIGURE 3

FIELD SPLICE FOR FLAT ELASTOMERIC SEAL

1. Determine the angle needed and cut ends of seal in a miter box with a sharp, non-serrated knife. **See Figure 1**

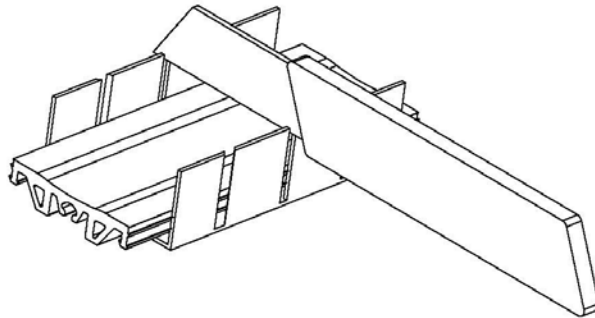


Figure 1

2. Using a solvent (by others) that is safe for elastomeric materials clean the ends of the seals. **See Figure 2**

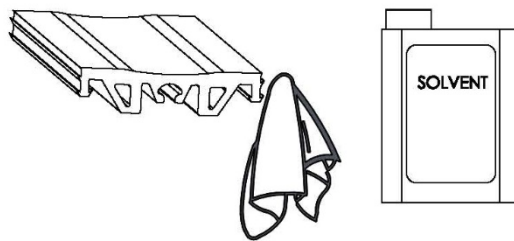


Figure 2

3. Apply a super glue, cyanoacrylate type (non-gel) or similar adhesive (by others) and follow instructions by the adhesive manufacturer. **See Figure 3**

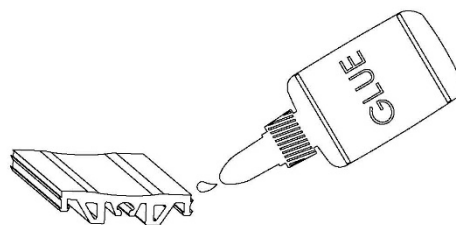


Figure 3

4. Check the splices after the adhesive has cured and reapply adhesive as necessary. Allow 15 minutes prior to installing seal. It typically takes 24 hours for adhesive to fully cure and achieve proper working strength. Ensure that the splice of the seal is not within 2” of a joint in the aluminum extrusion. **See Figure 4**

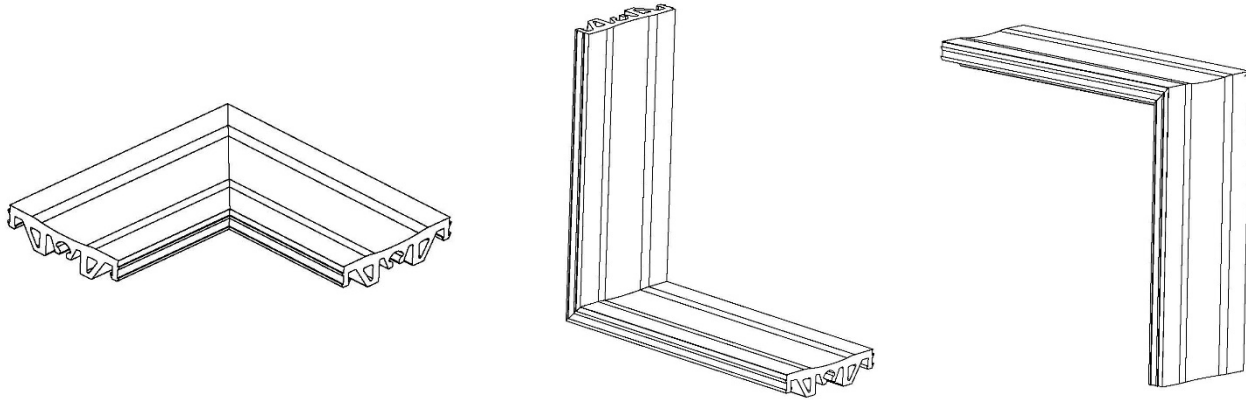


Figure 4

OPERATION

Expansion Joints are designed and built for years of dependable service.

MAINTENANCE

Annual inspections should be performed to make sure the system is still in position. Repair and/or replace as needed.

QUESTIONS?

For more information on installation, repair or replacement, please contact Customer & Sales Support at 800-547-2635 or visit nystrom.com