

# SEISMIC ALUMINUM WALL & CEILING SYSTEM – INTERIOR APPLICATION

Model(s): **RJI/RJIw**

## RJI Wall to Wall System

### GENERAL DESCRIPTION



Nystrom Seismic Aluminum Interior Wall & Ceiling System is a surface-mounted system designed to accommodate both thermal and multidirectional movement. The system provides an aesthetic, durable, and easy-to-install solution for interior environments.

**GENERAL SAFETY PRECAUTIONS** Improper selection, installation, or use can cause personal injury or property damage. It is solely the responsibility of the user, through their own analysis, to select products suitable to the specific application requirements, ensure proper maintenance and use as intended. Follow local, state, and federal regulations for proper installation and operation requirements.

### Introduction + Safety

Please read the complete instructions carefully before beginning any work. To ensure proper installation and performance of the product, the following actions must be taken by the installing contractor. Failure to do so will affect the product warranty.

### Transportation + Storage

- Inspect all shipments and materials for missing or damaged components and hardware.
- Material must be stored in a clean, dry location.

### Preparation

- Locate the packing slip(s) and/or shop drawings.
- Verify that all products listed on the packing slip are included in the package.
- Check the products for damage. If products are damaged, report a freight claim immediately and leave the products in their packaging. If you sign for products without reporting damage, you waive your right to a freight claim and will be responsible for replacement costs.
- Read the instructions thoroughly before beginning installation.

## Tool List

- Tape measure
- Chop saw to cut product to length
- Electric drill with Ø5/32” masonry bit & Ø3/16” metal bit
- Broom & dustpan or vacuum
- Level

## Included with the expansion joint system

- Spacer (#1216)
- Vinyl gasket (#SE23)

## Preinstallation

1. Ensure that the area where the system is being installed is smooth and level. High spots should be ground down and low spots filled in. Make sure the surface is clean by brushing or vacuuming surface.

## INSTALLATION (EJN-RJI-200 THRU EJN-RJI-2400)

1. NOTE: Before drilling know that the aluminum frames should be mounted into a support member (i.e. 2x4 etc.) If the drill track doesn't line up with the support member (see shop drawings), care should be taken to add a support member or not use the drill track & locate the following holes accordingly.
  - a. Drill Ø3/16” holes on each of the two aluminum frames and approximately 18” on center for the balance of the pieces. Use the drill track to center drill on the base frames, if applicable. These holes should be lined up vertically along the exterior surface. Install the gasket seal into the base frame by sliding it into the groove on the base frame starting from the end. **Do not fasten to the exterior surface yet, See Figure 1.**

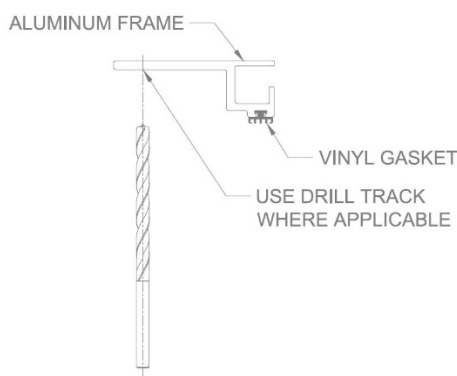


FIGURE #1

2. Next, position aluminum frames flush with the inside face of the joint opening. Using the frame as a template, mark and drill  $\text{Ø}5/32$ " holes for  $\text{Ø}3/16$ " anchors (by installer). **See Figure 2.**

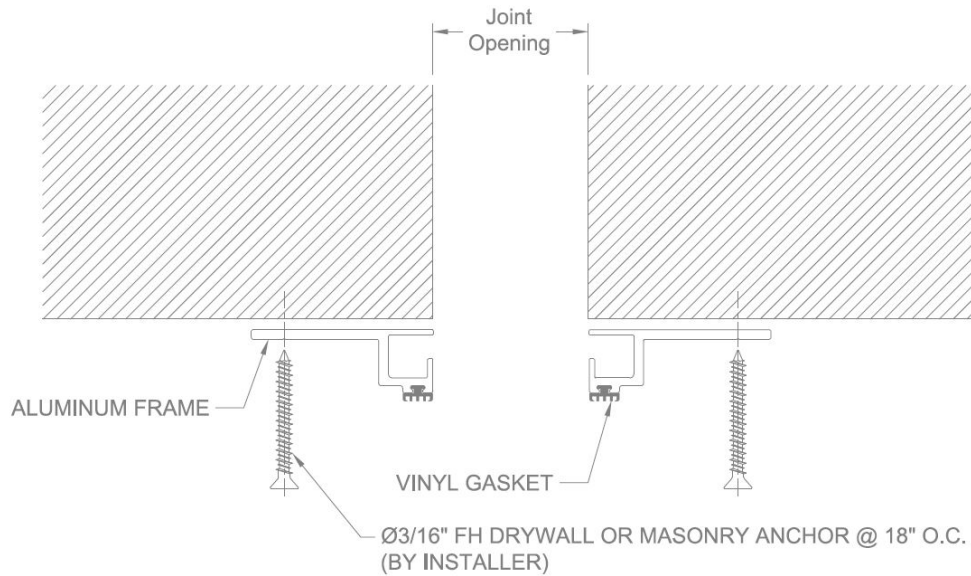


FIGURE #2

3. Next, lay the center cover plate over the left base frame with ends flush and mark the cover plate center holes onto the base frame near the inside edge. Repeat this on the right side. Position the centering mechanisms in the track on the base frames and align with the marked locations. The centering mechanisms will be diagonal to the opening. Tape may be needed to hold the centering mechanisms in place. **See Figure 3.**

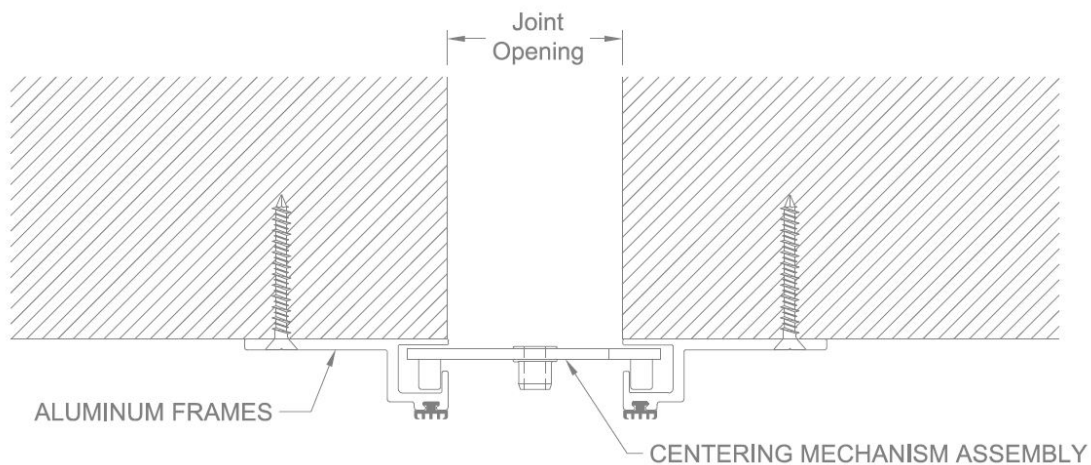


FIGURE #3

4. Attach the plastic spacer over the nut on the centering mechanism with tape. Position the cover plate centered over the base frames and with the center hole aligned with the center mechanisms. Attach the cover plate to the centering mechanisms with the provided screws, being careful not to over tighten. **See Figure 4.**

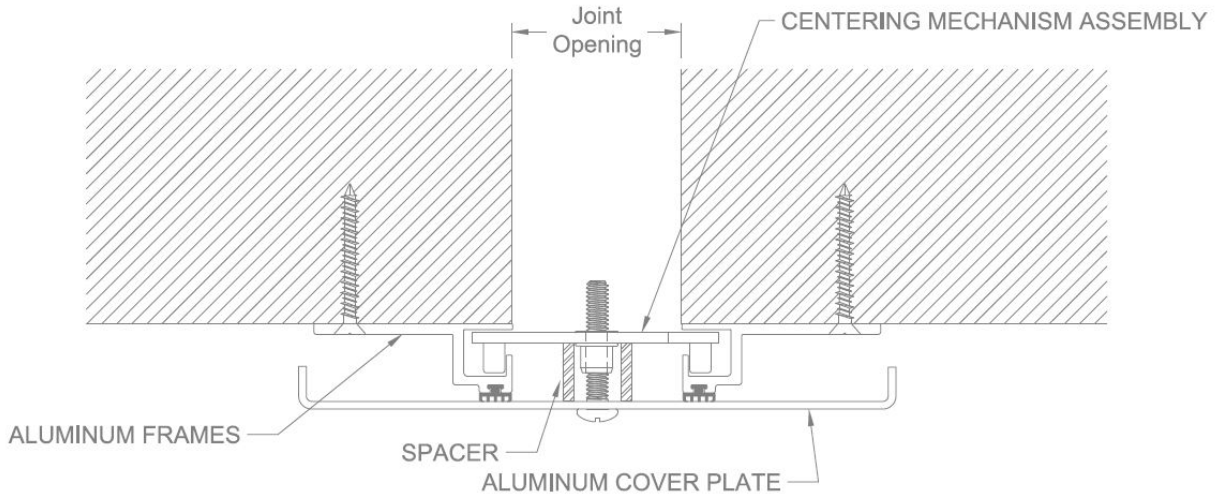
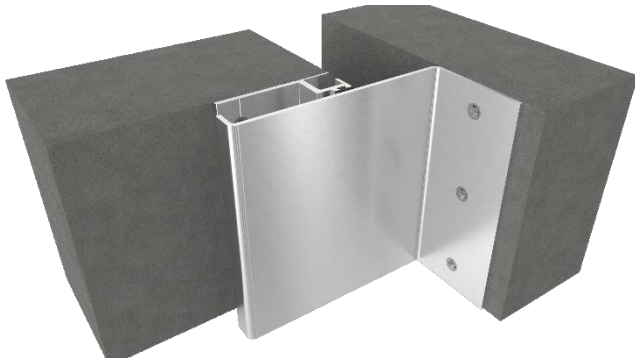


FIGURE #4

## RJIw Wall to Corner System



### GENERAL DESCRIPTION

Nystrom RJIw Seismic Interior Wall & Ceiling System is designed to match the RJI system in corner applications.

**INSTALLATION (EJN-RJI-200w THRU EJN-RJI-2400w)**<sup>1</sup>. NOTE: Before drilling know that the aluminum frames should be mounted into a support member (i.e. 2x4 etc.) If the drill track doesn't line up with the support member (see shop drawings), care should be taken to add a support member or not use the drill track & locate the following holes accordingly.

- a. Drill  $\text{Ø}3/16$ " holes on each of the two aluminum frames and approximately 18" on center for the balance of the pieces. Use the drill track to center drill on the base frames, if applicable. These holes should be lined up vertically along the exterior surface. Install the gasket seal into the base frame by sliding it into the groove on the base frame starting from the end. **Do not fasten to the exterior surface yet, See Figure 5.**

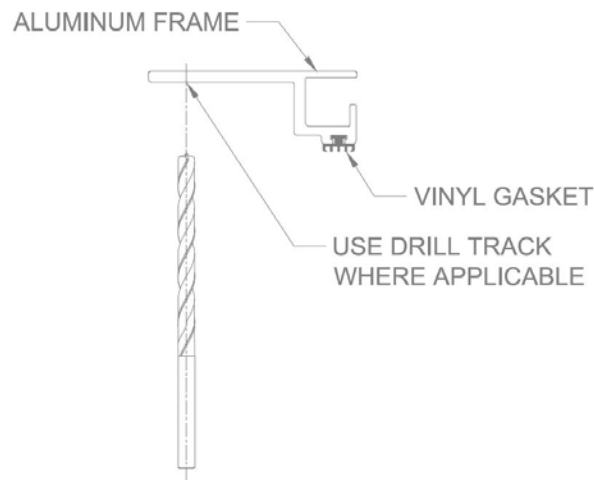


FIGURE #5

2. Next, position the aluminum frames flush with the inside face of the joint opening. Using the frame as a template, mark and drill  $\text{Ø}5/32$ " holes for  $\text{Ø}3/16$ " anchors. (by installer) **See Figure 6.**

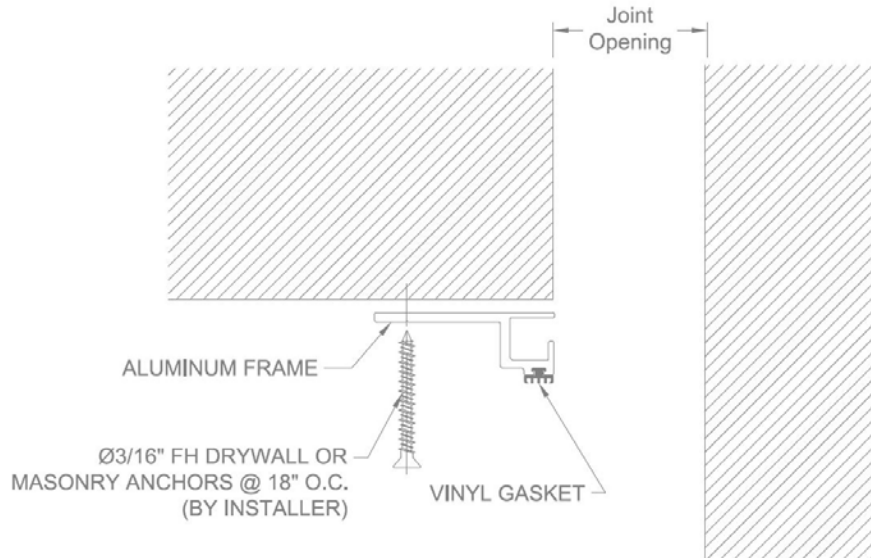


FIGURE #6

3. For 2" to 6" sizes, position the top cover plate over the base frame and tight against the wall. Make sure the top cover plate is pushed firmly into the vinyl gasket and attach the top cover plate by fastening it to the wall with the  $\text{Ø}3/16$ " anchors @ 12" O.C. (by installer) using the cover plate as a template, mark and drill  $\text{Ø}5/32$ " holes for  $\text{Ø}3/16$ " anchors. **See Figure 7.**

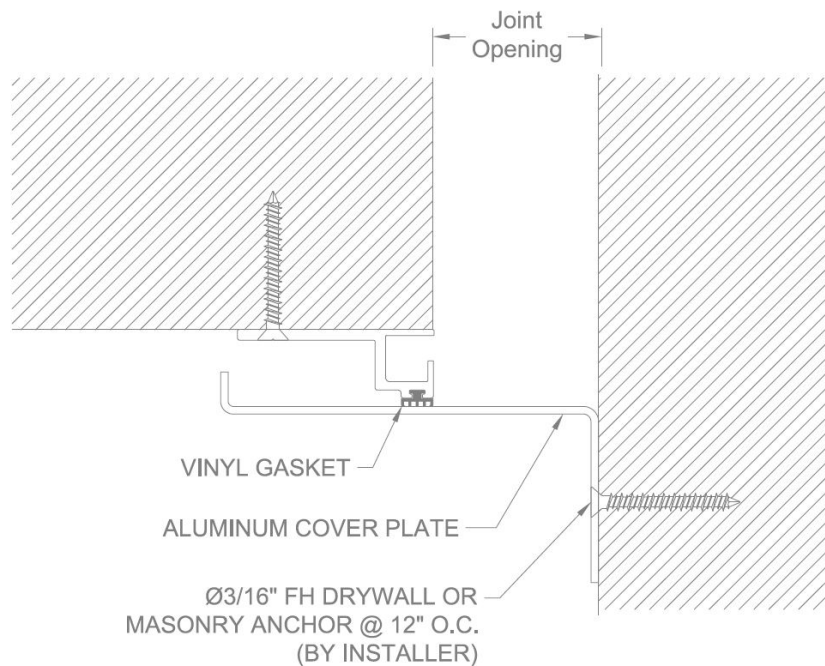


FIGURE #7



4. For 8" and larger sizes, lay the center cover plate over the left base frame with ends flush and mark the cover plate center holes onto the base frame near the inside edge. Position the centering mechanism in the track on the base frame and align with the marked locations. Tape is needed to hold the centering mechanisms in place. Attach a plastic spacer over the nut on the centering bar with tape.

Position the cover plate over the base frame and tight against the wall. Make sure to align the center hole with the centering mechanisms. Attach the cover plate to the centering mechanisms with the provided screws, being careful not to over tighten. The cover plate will also need to be attached to the wall with the  $\text{Ø}3/16$ " anchors @ 12" O.C. (by installer) using the cover plate as a template, mark and drill  $\text{Ø}5/32$ " holes for  $\text{Ø}3/16$ " anchors., being careful not to over tighten. **See Figure 8.**

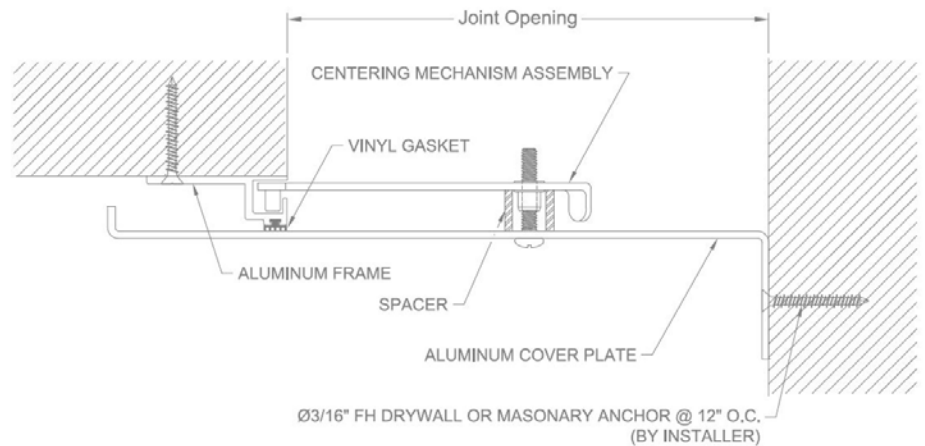


FIGURE #8

## OPERATION

Expansion Joints are designed and built for years of dependable service.

## MAINTENANCE

Perform annual inspections to make sure the system is in position; all fasteners are tight and in place and there is no impedance of joint cover movement. Repair and/or replace as needed.

## QUESTIONS?

For more information on installation, repair, or replacement, please contact Customer & Sales Support at 800-547-2635 or visit [nystrom.com](http://nystrom.com)