

ALUMINUM WALL SYSTEM – SURFACE SNAP-ON APPLICATION

Model(s): WJ/WJw



WJ Wall to Wall System

GENERAL DESCRIPTION

Nystrom Aluminum Wall and Ceiling system is designed for interior applications where minimal maintenance is required. It mounts easily after final wall surface is complete with

no visible hardware. Standard with a clear anodize finish. Joint sizes range from 1” to 4”.

GENERAL SAFETY PRECAUTIONS Improper selection, installation, or use can cause personal injury or property damage. It is solely the responsibility of the user, through their own analysis, to select products suitable to the specific application requirements, ensure proper maintenance and use as intended. Follow local, state, and federal regulations for proper installation and operation requirements.

Introduction + Safety

Please read the complete instructions carefully before beginning any work. To ensure proper installation and performance of the product, the following actions must be completed by the installing contractor. Failure to do so will affect product warranty.

Transportation + Storage

- Inspect all shipments and materials for missing or damaged components and hardware.
- Material must be stored in a clean, dry location.

Preparation

- Locate the packing slip(s) and/or shop drawings.
- Verify that all products listed on the packing slip are included in the package.
- Check the products for damage. If products are damaged, report a freight claim immediately and leave the products in their packaging. If you sign for products without reporting damage, you waive your right to a freight claim and will be responsible for their replacement cost.
- Read the instructions thoroughly before beginning installation.

Tool List

- Tape measure
- Chop saw to cut product to length
- Electric drill with $\text{Ø}5/32$ " drill bit & $\text{Ø}3/16$ " metal bit
- Broom & dustpan or vacuum
- Self-tapping or drywall screws.
- Rubber mallet
- Wood blocking

Preinstallation

1. Ensure that the area where the expansion joint is being installed is smooth and level.
2. Make sure the $\text{Ø}3/16$ " hardware matches the construction (by installer).

INSTALLATION

1. For all sizes, position aluminum clips (#CSJ) per the shop drawings. Install the clips on one side of the joint opening, spacing the clips approximately 24.00" on center. Clips must be aligned and plumb – use wood blocking if necessary. Using the clips as a template, mark and drill $\text{Ø}5/32$ " holes for $\text{Ø}3/16$ " anchors (by installer) if installing into concrete. For gypsum board assemblies, there is no need to predrill, attach clip base members using appropriate drywall screw (by installer) through gypsum board into steel studs. **See Figure 1.**

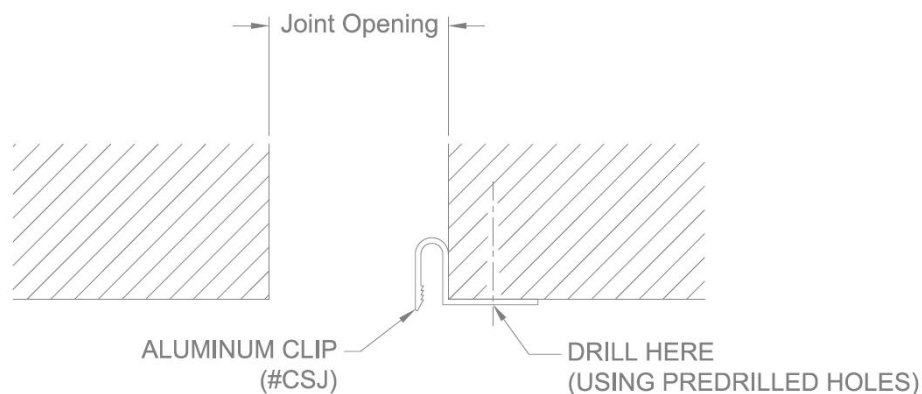


FIGURE 1

2. Once all holes have been predrilled, attached clips with appropriate anchors (by installer). **See Figure 2.**

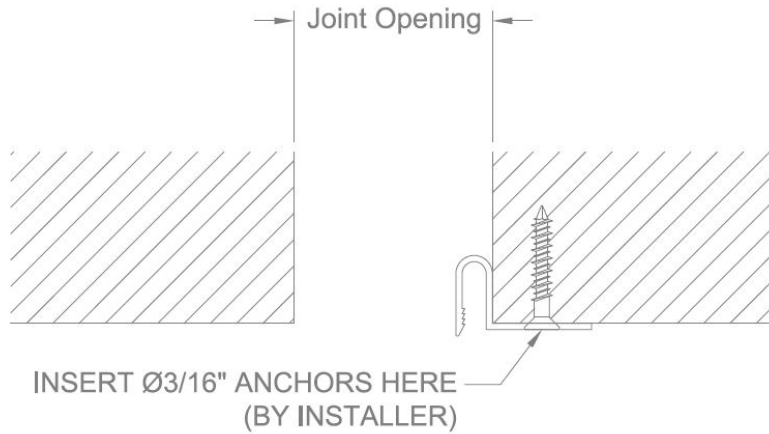


FIGURE 2

3. Before attaching the cover plate, install the gasket spline and cut it to length. Place the joint cover over the opening, aligning the male portion of the cover with the female portion of the clip. Set the joint cover in position by using a rubber mallet & wood blocking to help avoid damage. Avoid excessive force, which may also damage the joint cover. Repeat these steps the entire length of the joint cover. **See Figure 3.**

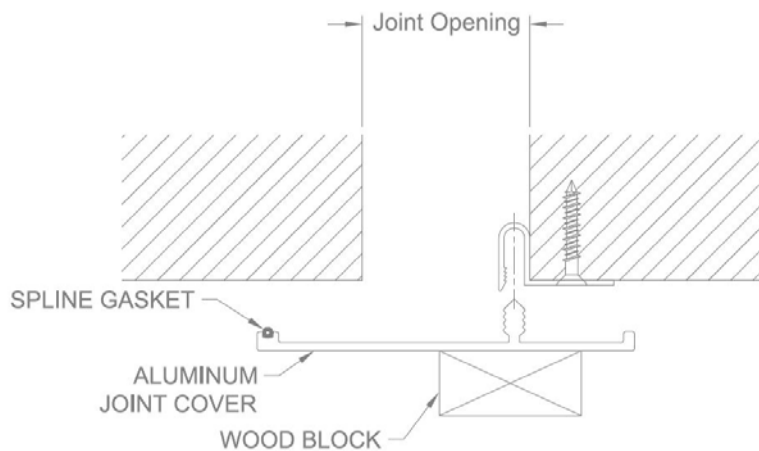


FIGURE 3

4. Once installation of joint covers is complete, use proper cleaning solutions (by installer) to clean joint covers. Final installation should appear as shown in **Figure 4**.

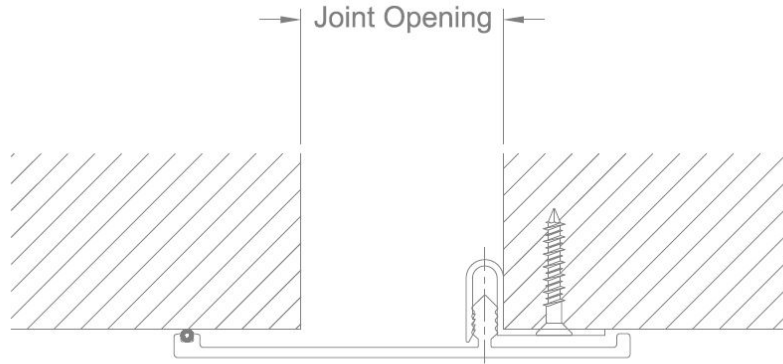


FIGURE 4

WJw Wall to Corner System



GENERAL DESCRIPTION

Nystrom Aluminum Wall and Ceiling system is designed for interior applications where minimal maintenance is required. It mounts easily after final wall surface is complete with no visible hardware. Standard with a clear anodize finish. Joint sizes range from 1" to 4".

INSTALLATION

1. For all sizes, position aluminum clips (#CSJ-W) per the shop drawings. Install the clips on one side of the joint opening, spacing the clips approximately 24.00" on center. Clips must be aligned and plumb – use wood blocking if necessary. For corner condition, align the underside of mounting clip to surface of wall. Using the clips as a template, mark and drill $\varnothing 5/32$ " holes for $\varnothing 3/16$ " anchors (by installer) if installing into concrete. For gypsum board assemblies, there is no need to predrill, attach clip base members using appropriate drywall screw (by installer) through gypsum board into steel studs. **See Figure 5.**

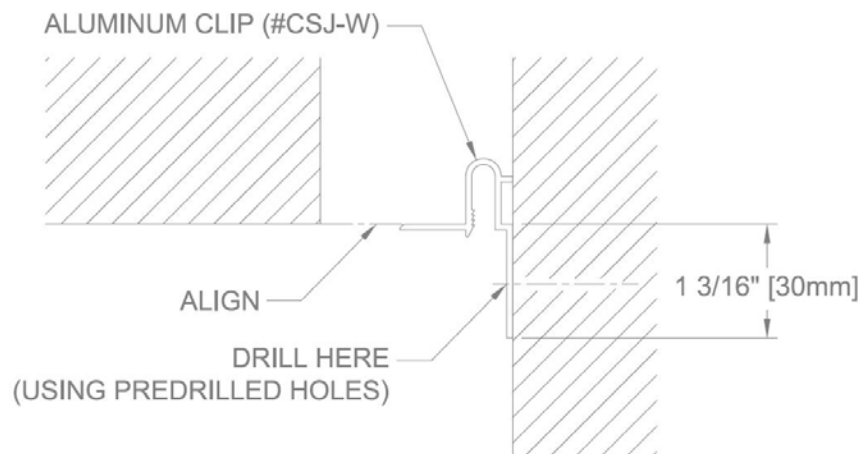


FIGURE 5

2. Once all holes have been predrilled, attached clips with appropriate anchors (by installer). **See Figure 6.**

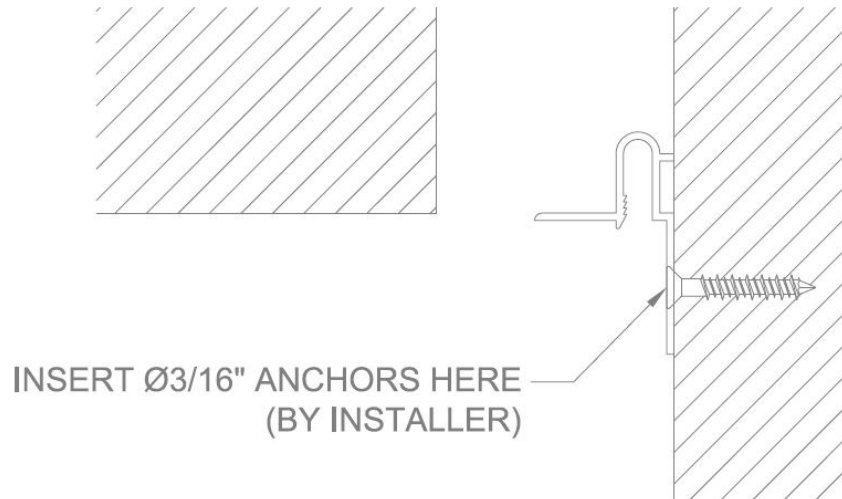


FIGURE 6

3. Before attaching the cover plate, install the gasket spline and cut it to length. Place the joint cover over the opening, aligning the male portion of the cover with the female portion of the clip. Set the joint cover in position by using a rubber mallet & wood blocking to help avoid damage. Avoid excessive force, which may also damage the joint cover. Repeat these steps the entire length of the joint cover. **See Figure 7.**

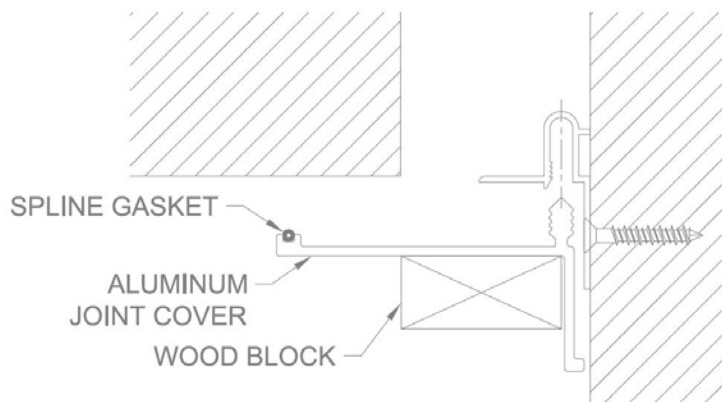


FIGURE 7

- Once installation of joint covers is complete, use proper cleaning solutions (by installer) to clean joint covers. Final installation should appear as shown in **Figure 8**.

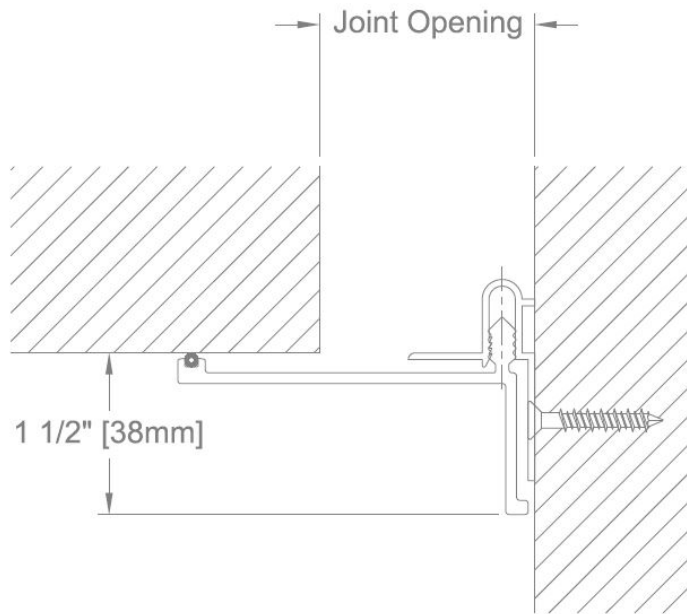


FIGURE 8

OPERATION

Expansion Joints are designed and built for years of dependable service.

MAINTENANCE

Perform annual inspections to make sure the system is in position. Repair and/or replace as needed.

QUESTIONS?

For more information on installation, repair or replacement, please contact Customer & Sales Support at 800-547-2635 or visit nystrom.com