



AcousticMAX™

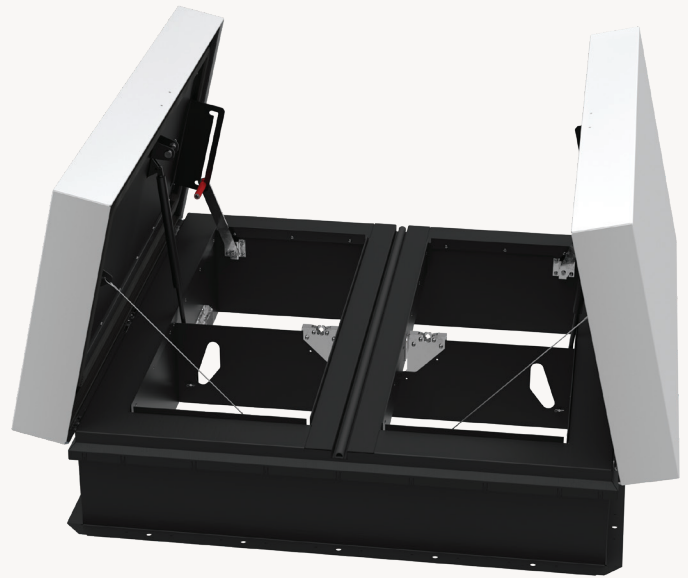
SMOKE VENT

Block the intrusion of exterior environmental noise while providing safety and security with the industry's best automatic Acoustical Smoke Vent. Perfect for theaters and performing arts centers; every detail is designed with precision.

FEATURES

SUPERIOR SOUND CONTROL Industry's best sound ratings designed to keep out unwanted noises ensuring acoustical integrity when all you want to hear is the performance

PREFINISHED BLACK INTERIOR Eliminate field painting hassle with the prefinished interior that seamlessly integrates into the ceiling



DETAILS

SOUND RATING(S) Independent third party tested to ASTM E90 and ASTM E1332

- SVZ: STC 50 - OITC 47
- ISO 140-18 Rainfall 36.7 dB
- SVY: STC 50 - OITC 39

MATERIAL

- SVZ 12 gauge galvalume steel; powder coat
- SVY 14 gauge galvalume steel; powder coat

FINISH Gray exterior cover with black interior liner and black curb

COVER Metal with liner, withstands a live load of 40psf with a max deflection of 1/150 the span

CURB Double wall curb with EZ tab counterflash and mounting flange

INSULATION Mineral wool and sound mat in cover and curb

- SVZ: Total R-16.8
- SVY: Total R-12.6

GASKET Extruded EPDM adhesive backed gasket seals

HINGE Stainless steel heavy duty pintle hinge

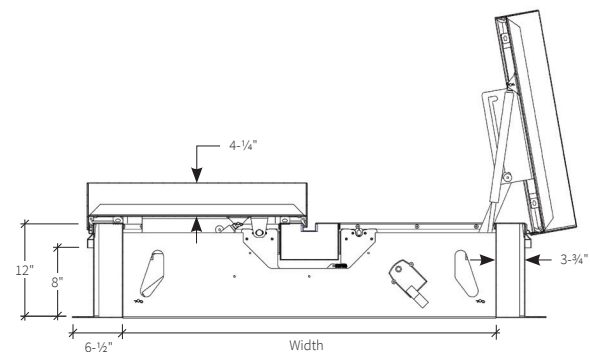
SPRING Gas spring with damper opens cover against 10psf snow load

HOLD OPEN ARM Zinc-plated steel automatic hold open arm locks cover in open position

LATCH Zinc-plated steel rotary latch designed to hold covers closed against 90psf wind uplift

OPERATION Opens automatically with a fusible link and manual pull handles

CERTIFICATIONS UL 793 Listed, FM 4430 Approved for 360° fuseable link, and IBC1207 Compliant



ORDER GUIDE

BASE	RATING	MATERIAL	WIDTH	X	LENGTH	DOOR	CURB	OPENING	LINK TEMP (°F)	CLOSING	—	OPTIONS
SV		G		X								
	Z STC 50 - OITC 47	G Galvalume Steel	Standard Sizes (W x L)			D Double Door	2 Double Wall	N No Electrical	165 350	R Rooftop Close	—	SFM FM Labeled
	Y STC 50 - OITC 39		48" x 48" 48" x 72" 48" x 96" 60" x 60" 60" x 96" 60" x 120" 72" x 72" 72" x 96"	Q Quad Door	3 Curb Mount	L 24VDC/24VAC	212 360	W Manual Winch	OP1 Door Position Sensor			
		<i>Additional size options also available.</i>			H 110VAC / 240VAC	280 450	L Linear Actuator*	B Burglar Bars				
								A Linear Actuator*				<i>*Voids UL</i>