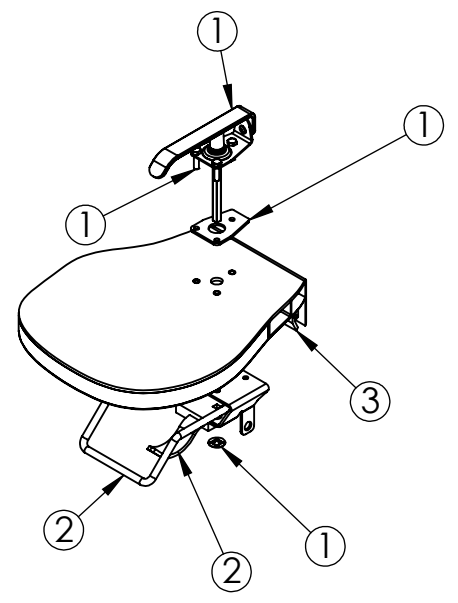
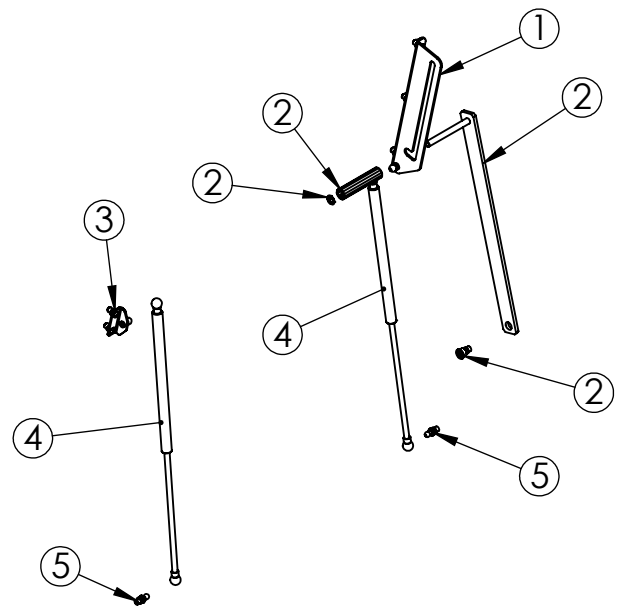


8 7 6 5 4 3 2 1

EQUIPMENT ROOF HATCH KITS	
DETAIL	DESCRIPTION
①	HOA/SPRING
②	COVER LATCH
③	LATCH CATCH
④	HINGE
⑤	GASKET

D



C

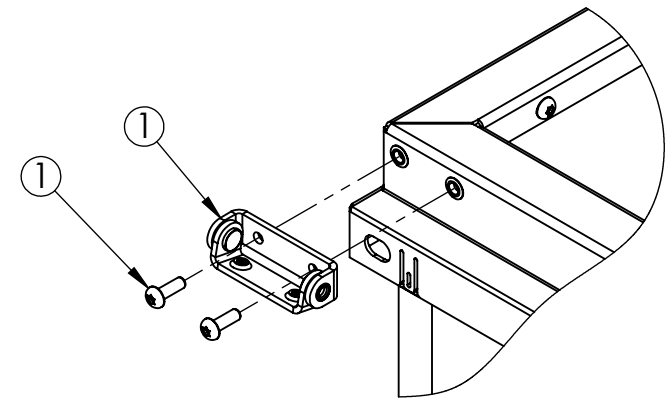
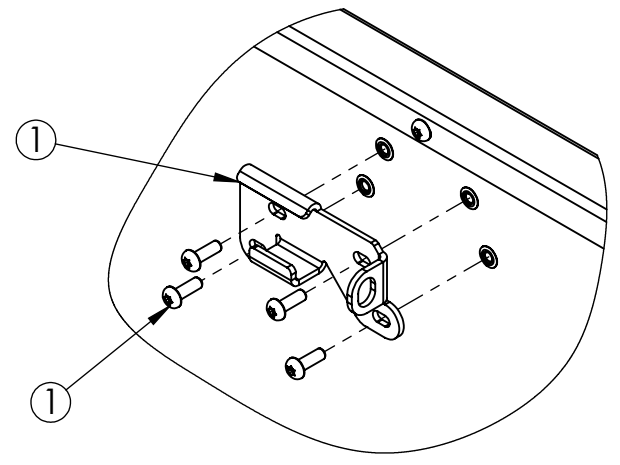
REPLACEMENT HOLD OPEN ARM/SPRING

ITEM	REPLACEMENT KIT #	OEM PART #	DESCRIPTION
①	RHKIT-HOACVR	29939	PKG, HOA COVER BRACKET
②	RHKIT-HOACURB	29938	PKG, HOA AND CURB HARDWARE
④	RHKIT-SPRING-150	30268	PKG, 150N SPRING
③	RHKIT-SPRINGBRKT	29944	PKG, SPRING COVER BRACKET
④	RHKIT-SPRING-250	29880	PKG, 250N SPRING
④	RHKIT-SPRING-500	29881	PKG, 500N SPRING
④	RHKIT-SPRING-600	30269	PKG, 600N SPRING
⑤	RHKIT-SPRINGSTUD	29943	PKG, BALL STUD FOR SPRING

REPLACEMENT COVER LATCH/GASKET

ITEM	REPLACEMENT KIT #	OEM PART #	DESCRIPTION
①	RHKIT-EXTHDL	29937	PKG, EXTERIOR TURN HANDLE
②	RHKIT-INTHDL	30413	PKG, INTERIOR TURN HANDLE
③	RHKIT-GASKET	6650	10 FT, GASKET

B



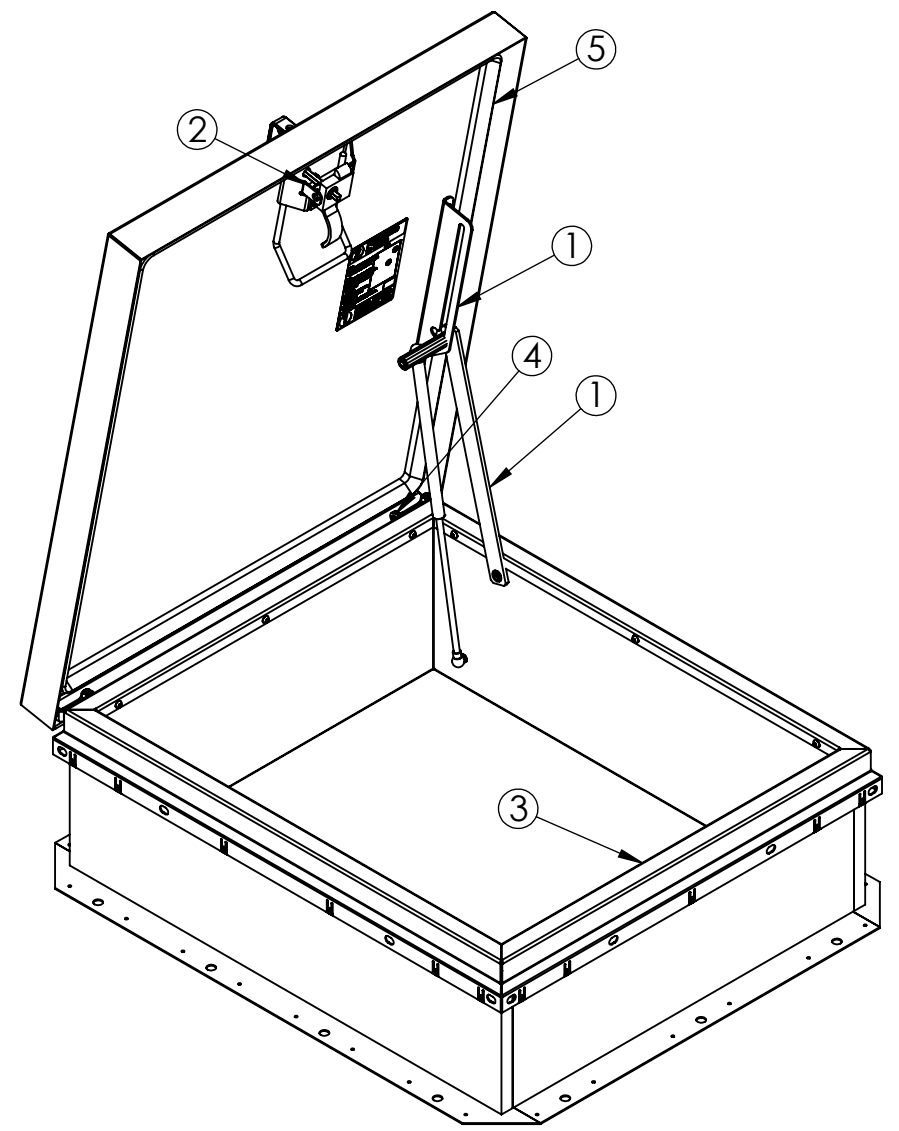
A

REPLACEMENT SINGLE POINT LATCH CATCH

ITEM	REPLACEMENT KIT #	OEM PART #	DESCRIPTION
①	RHKIT-CATCH	30448	PKG, LATCH CATCH

REPLACEMENT HINGE

ITEM	REPLACEMENT KIT #	OEM PART #	DESCRIPTION
①	RHKIT-HINGE	29941	PKG, HINGE



9300 73rd Avenue North
Minneapolis, MN 55428

TITLE:		ROOF HATCH EQUIPMENT SERIES REPLACEMENT COMPONENTS	
NAME	DATE	SIZE	DWG. NO.
		B	RHEKIT
WEIGHT:		SHEET 1 OF 3	
REV			

PROPRIETARY AND CONFIDENTIAL: THE INFORMATION CONTAINED IN THIS DRAWING IS THE SOLE PROPERTY OF NYSTROM. ANY REPRODUCTION IN PART OR AS A WHOLE WITHOUT THE WRITTEN PERMISSION OF NYSTROM IS PROHIBITED. ©2020 NYSTROM, INC.

8 7 6 5 4 3 2 1

8

7

6

5

4

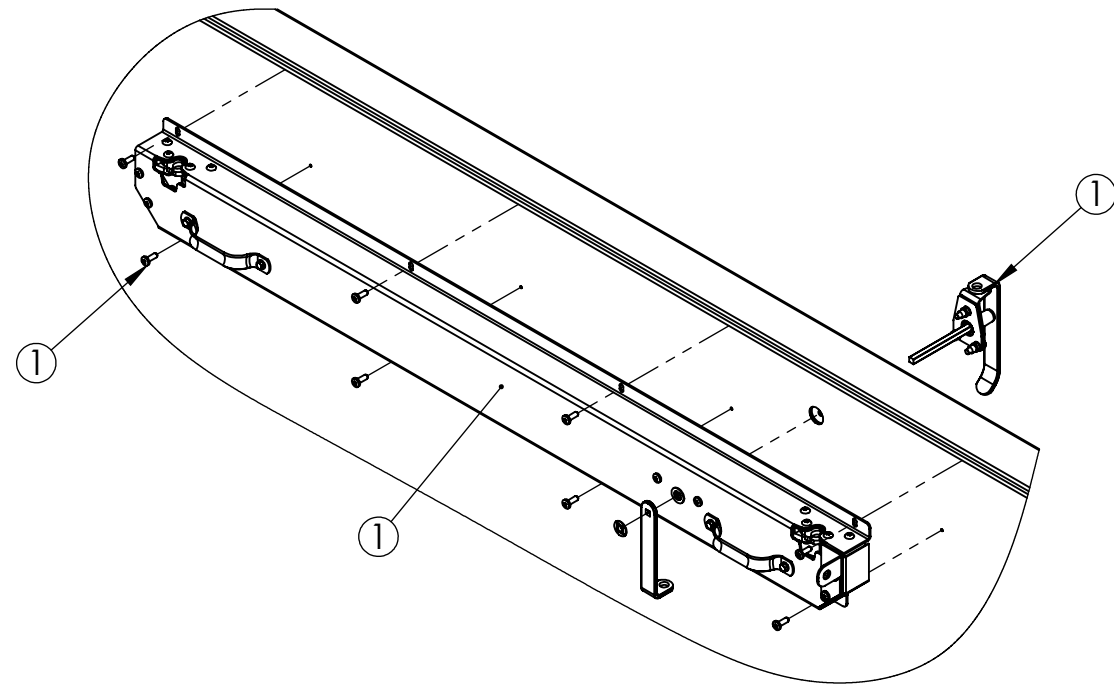
3

2

1

EQUIPMENT ROOF HATCH KITS	
DETAIL	DESCRIPTION
①	COVER LATCH
②	LATCH CATCH

D

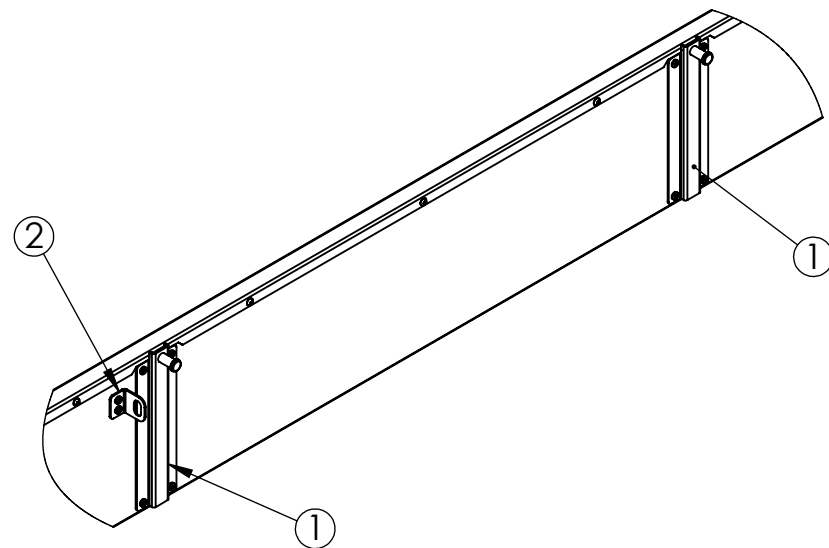


C

REPLACEMENT TWO POINT LATCH

ITEM	REPLACEMENT KIT #	OEM PART #	DESCRIPTION
①	RHKIT-2PTLATCH	31891, 31887	PKG, 2-PT LATCH, RH
①	RHKIT-2PTLATCH-LH	31892, 31887	PKG, 2-PT LATCH, LH

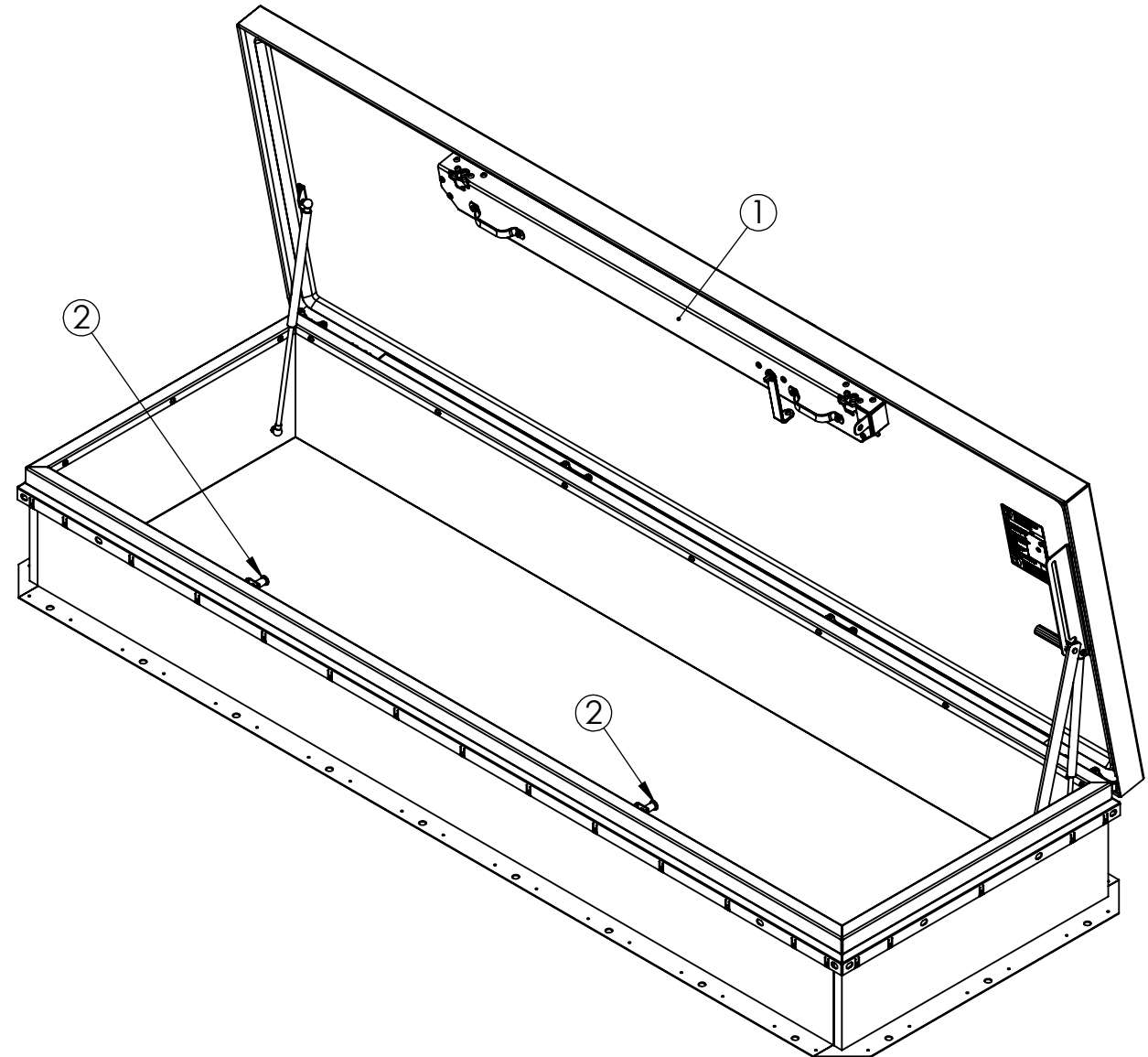
B



REPLACEMENT TWO POINT LATCH CATCH

ITEM	REPLACEMENT KIT #	OEM PART #	DESCRIPTION
①	RHKIT-2PCATCH	28904	PKG, TWO POINT LATCH CATCHES
②	RHKIT-HASP	29675	PKG, PADLOCK HASP

A



D

C

B

A



TITLE: ROOF HATCH EQUIPMENT SERIES REPLACEMENT COMPONENTS

DRAWN	NAME	DATE	SIZE	DWG. NO.	REV
RELEASED			B	RHEKIT	
			WEIGHT:	SHEET 2 OF 3	

PROPRIETARY AND CONFIDENTIAL: THE INFORMATION CONTAINED IN THIS DRAWING IS THE SOLE PROPERTY OF NYSTROM. ANY REPRODUCTION IN PART OR AS A WHOLE WITHOUT THE WRITTEN PERMISSION OF NYSTROM IS PROHIBITED. ©2020 NYSTROM, INC.

8

7

6

5

4

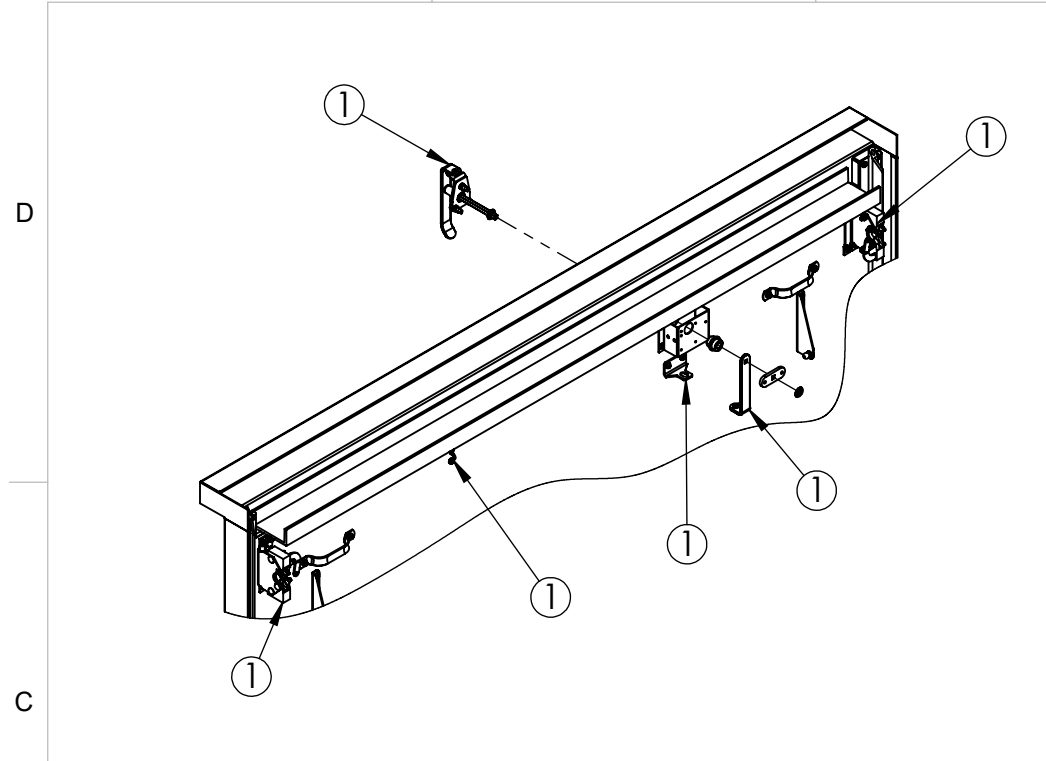
3

2

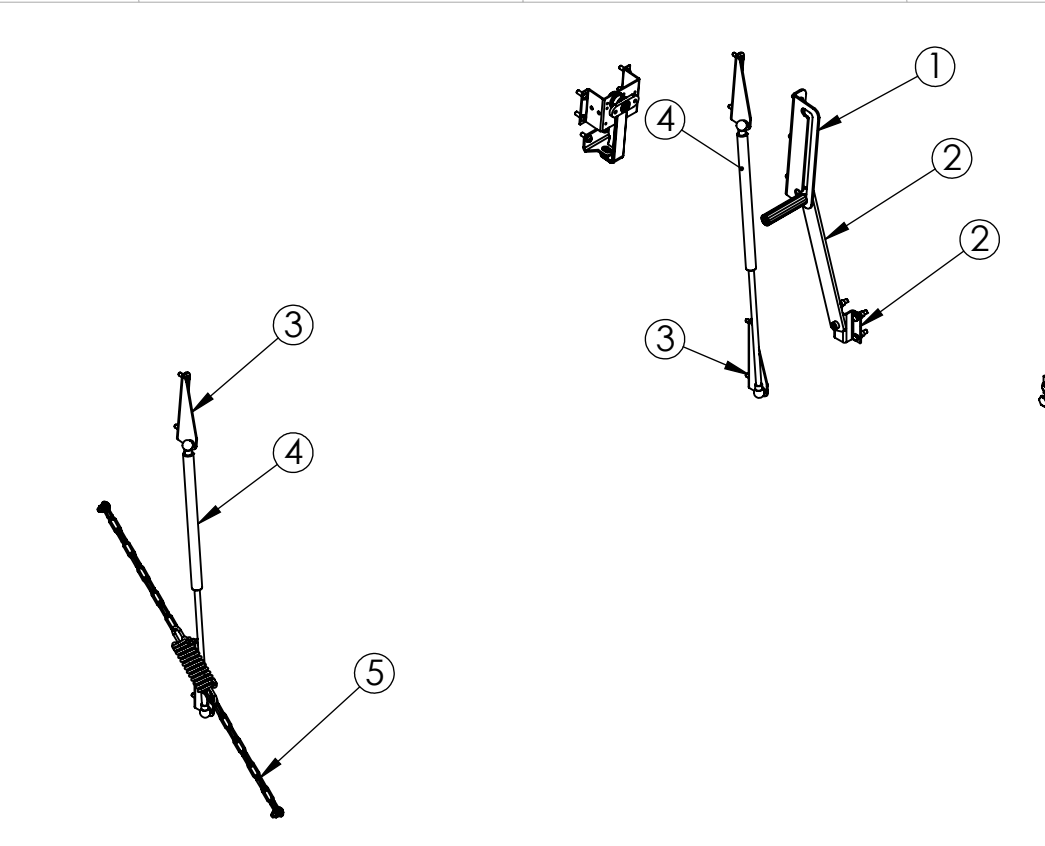
1

8 7 6 5 4 3 2 1

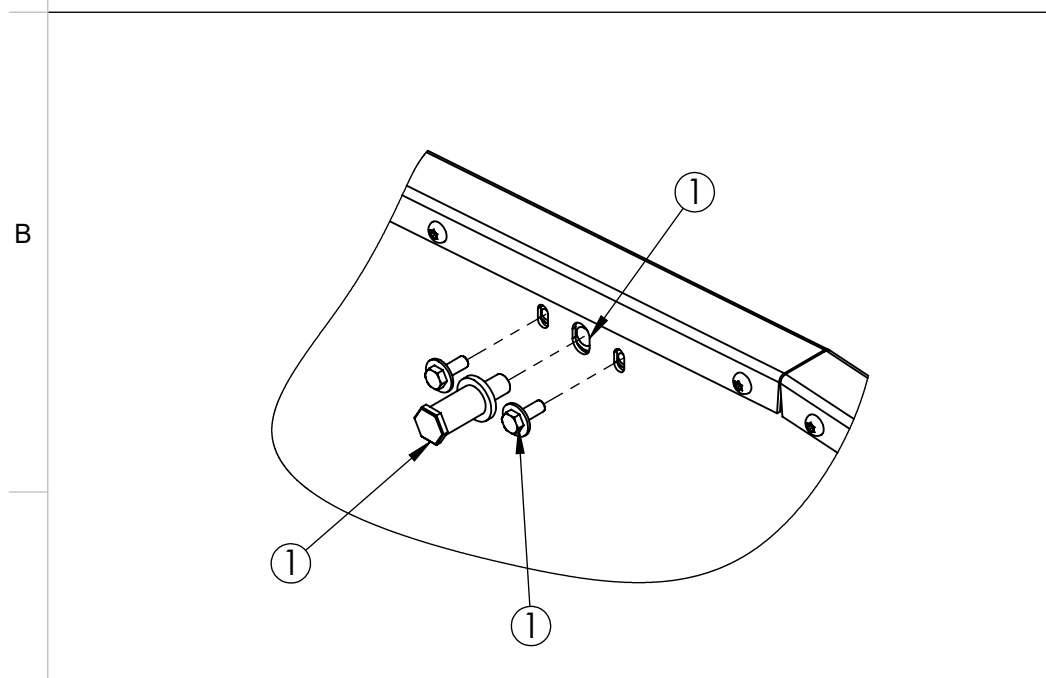
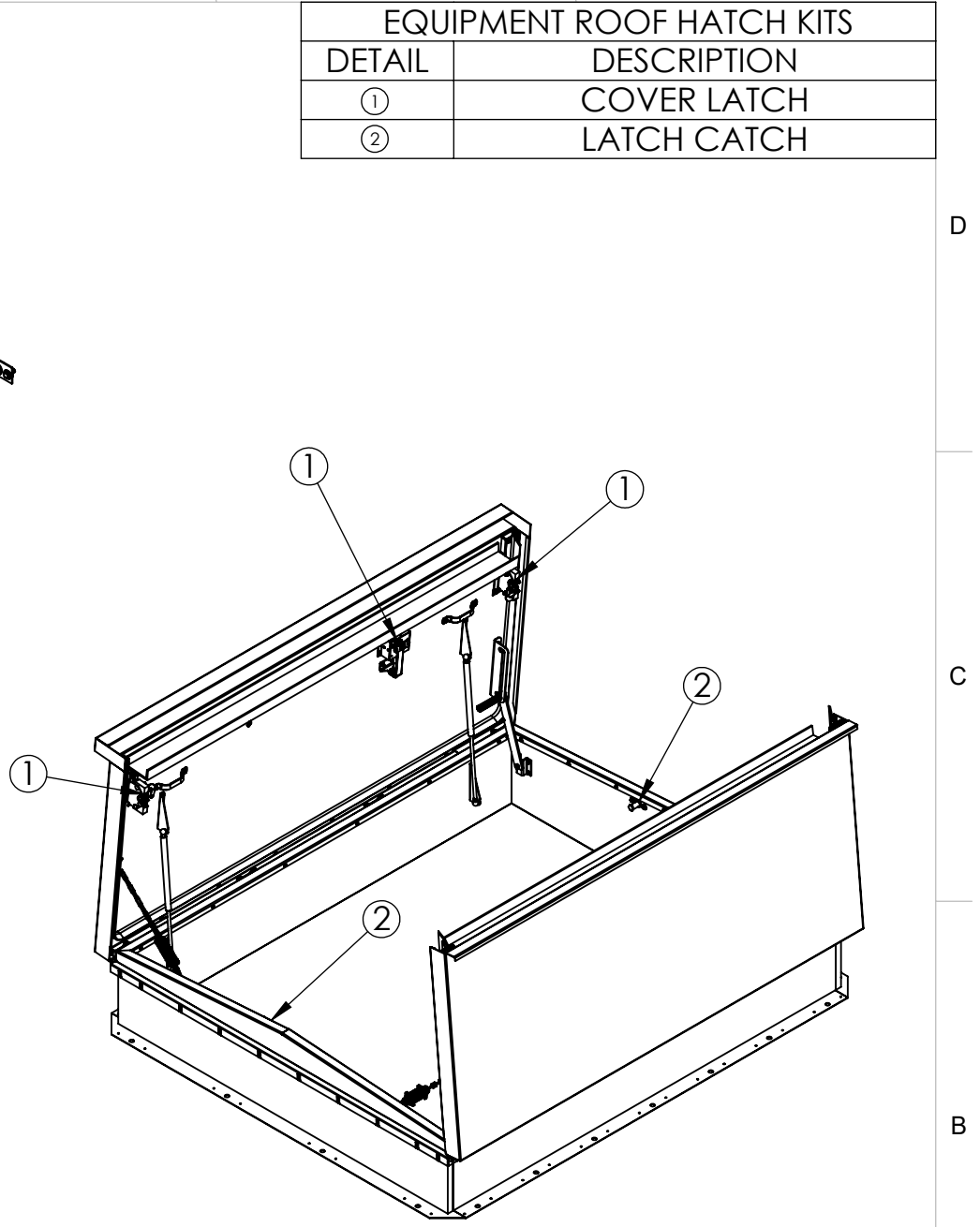
EQUIPMENT ROOF HATCH KITS	
DETAIL	DESCRIPTION
①	COVER LATCH
②	LATCH CATCH



REPLACEMENT DOUBLE DOOR LATCH			
ITEM	REPLACEMENT KIT #	OEM PART #	DESCRIPTION
①	RHEKIT-DDLATCH		PKG, 2-PT LATCH, DOUBLE DR



REPLACEMENT HOLD OPEN ARM/SPRING			
ITEM	REPLACEMENT KIT #	OEM PART #	DESCRIPTION
①	RHEKIT-HOACVR	28567	PKG, HOA COVER BRACKET
②	RHEKIT-HOA	28646	PKG, HOA AND CURB HDWRE
④	RHKIT-SPRING-150	30268	PKG, 150N SPRING
③	RHKIT-SPGMTBRKT	31566	PKG, SPRING MOUNT BRCKET
④	RHKIT-SPRING-250	29880	PKG, 250N SPRING
④	RHKIT-SPRING-500	29881	PKG, 500N SPRING
④	RHKIT-SPRING-600	30269	PKG, 600N SPRING
⑤	RHEKIT-SNUBBER	2907	PKG, SNUBBER ASSEMBLY



REPLACEMENT DOUBLE DOOR LATCH CATCH			
ITEM	REPLACEMENT KIT #	OEM PART #	DESCRIPTION
①	RH-KIT-DD-CATCH	6845	PKG, LATCH STRIKE, DOUBLE DOOR, ZPS

A



9300 73rd Avenue North
Minneapolis, MN 55428

TITLE: ROOF HATCH EQUIPMENT SERIES REPLACEMENT COMPONENTS

NAME	DATE	SIZE	DWG. NO.	REV
		B	RHEKIT	
DRAWN		WEIGHT:	SHEET 3 OF 3	
RELEASED				

PROPRIETARY AND CONFIDENTIAL: THE INFORMATION CONTAINED IN THIS DRAWING IS THE SOLE PROPERTY OF NYSTROM. ANY REPRODUCTION IN PART OR AS A WHOLE WITHOUT THE WRITTEN PERMISSION OF NYSTROM IS PROHIBITED. ©2020 NYSTROM, INC.

8 7 6 5 4 3 2 1