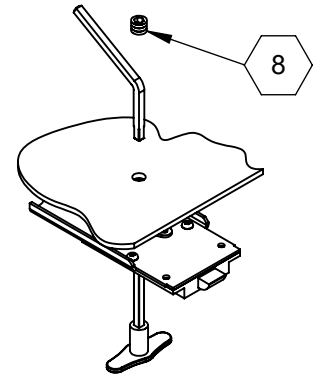
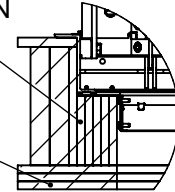


6 LAYERS GYPSUM
REQ'D TO MAINTAIN
FIRE RATING

3 LAYERS
GYPSUM



**BOLT-IN
DETAIL**

SLAM LATCH DETAIL

			TITLE: FD, 2hr Fire Rated, 150 psf, Sngl Dr, Alum, 1/4" Smth Plt, 1/8" Tile, Mill, Angle Frame, Bolt-In, SST Spring Asst, 316 SST HDW, Slam Latch w/Hdl		
9300 73rd Avenue North Minneapolis, MN 55428			DWG. NO. Nystrom FD FDFLA_X_SWL-BI-T1 ShpDr		
NAME	DATE	SIZE	DWG. NO.	REV	
DRAWN	BES		A		
RELEASED	BES		WEIGHT:	SHEET 2 OF 2	