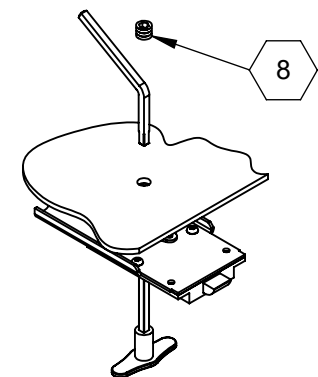
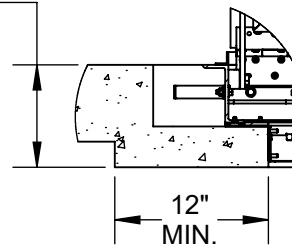


8"
MIN. DEPTH
REQUIRED TO
RETAIN 2-HOUR
RATING



**BOLT-IN
DETAIL**

SLAM LATCH DETAIL

			TITLE: FD, 2hr Fire Rated 250 psf, , Sngl Dr, Alum, 1/4" Smth Plt, 1" Pan, Mill, Angle Frame, Bolt-In, SST Spring Asst, 316 SST HDW, Slam Latch w/ Hdl		
9300 73rd Avenue North Minneapolis, MN 55428			Nystrom FD FDFPA_X_SWL-P1 ShpDr		
NAME	DATE	SIZE	DWG. NO.	REV	
DRAWN	BES	3/24/2021	A	Nystrom FD FDFPA_X_SWL-P1 ShpDr	
RELEASED	BES	3/24/2021	WEIGHT:	SHEET 2 OF 2	