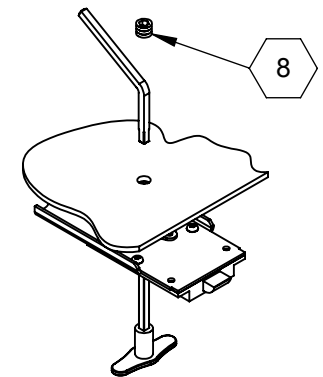


CAST IN DETAIL



SLAM LATCH DETAIL

			TITLE: FD, 3hr Fire Rated, 250 psf, Sngl Dr, Alum, 1/4" Smth Plt, 1/8" Tile, Mill, Angle Frame, Gray Primer, Cast-In, SST Spring Asst, 316 SST HDW, Slam Latch w/Hdl		
9300 73rd Avenue North Minneapolis, MN 55428			SIZE	DWG. NO.	REV
DRAWN	BES	1/07/21	A	Nystrom FD FD FPA_X_SWL-3HR-T1 ShpDr	
RELEASED	BES	1/07/21	WEIGHT:		SHEET 2 OF 2