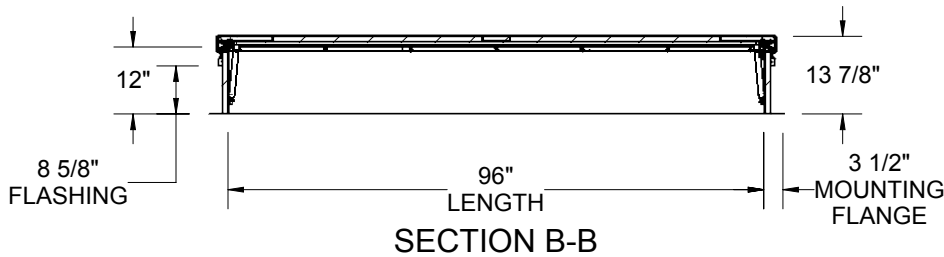
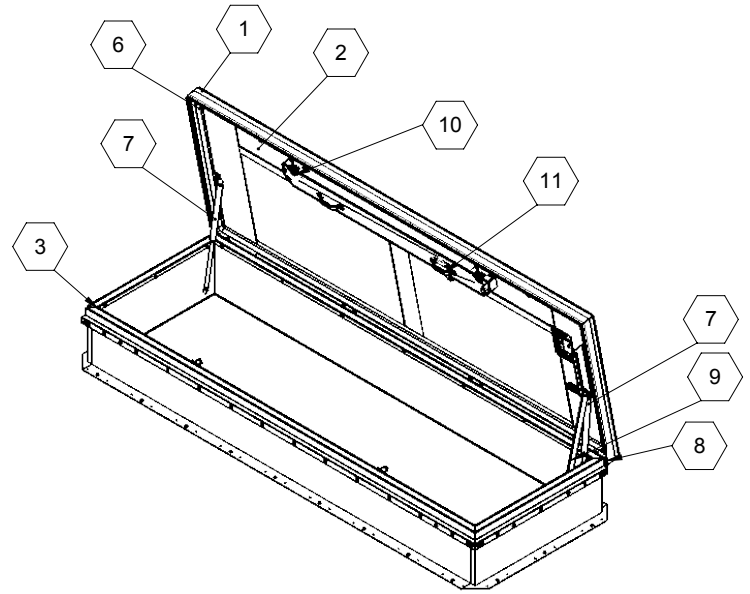


SECTION A-A



SECTION B-B

**SPECIFICATIONS:**

- ① **COVER:**  
11 GA (.090) ALUM, STIFFENED TO WITHSTAND A LIVE LOAD OF 40PSF WITH A MAX DEFLECTION OF 1/150 OF THE SPAN.
- ② **LINER:** 18 GA (.040) ALUM
- ③ **CURB:** 11 GA (.090) ALUM, CURB COUNTERFLASH WITH EZ TABS.
- ④ **FINISH:** MILL
- ⑤ **INSULATION:** 1" POLYISO R-6 (5.6 LTTR) IN CURB, 1" POLYSTYRENE R-4 (3.8 LTTR) IN COVER.
- ⑥ **GASKET:**  
EXTRUDED EPDM RUBBER ADHESIVE BACKED GASKET SEAL CONTINUOUS AROUND COVER.
- ⑦ **SPRING:**  
GAS SPRING WITH DAMPER FOR SMOOTH, CONTROLLED, COUNTERBALANCED LIFT ASSISTANCE.
- ⑧ **HINGE:** PINTLE HINGE WITH STAINLESS STEEL HINGE PINS.
- ⑨ **HOLD OPEN ARM:**  
ZINC PLATED STEEL AUTOMATIC HOLD OPEN ARM LOCKS COVER IN FULLY OPEN POSITION WITH RED GRIP HANDLE PULL RELEASE.

⑩ **LATCH:**

ZINC PLATED STEEL SLAM LATCH, HOLDS COVERS CLOSED AGAINST WIND UPLIFT, INTERIOR AND EXTERIOR HANDLES WITH PADLOCK HASPS.

⑪ **PULL HANDLE:** INTERIOR PULL DOWN HANDLE

**NOTES:**

- WHEN INSTALLING ON A PITCHED ROOF UP TO 7:12, THE HINGE SIDE(LENGTH)MUST BE PARALLEL TO THE SLOPE.
- WIDTH X LENGTH DIMENSIONS ARE MEASURED INSIDE CURB TO INSIDE CURB. THE WIDTH IS HINGE TO LATCH AND LENGTH IS HINGED SIDE.

**ROOF HATCH SIZE 30" (WIDTH) x 96" (LENGTH)**

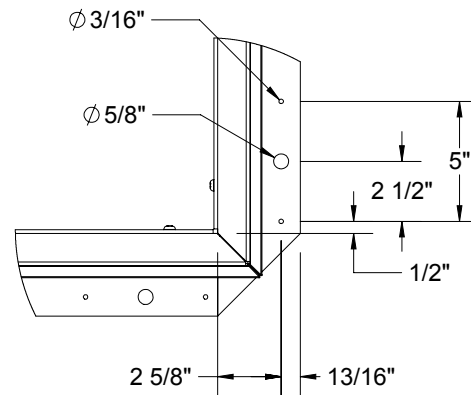
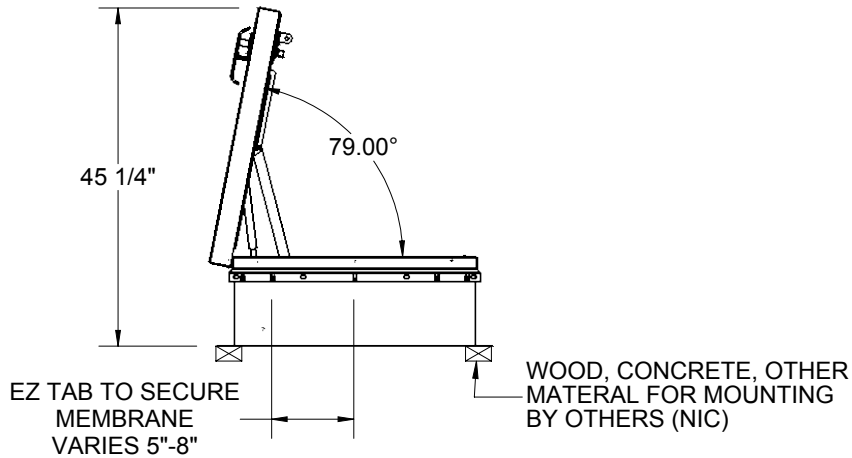
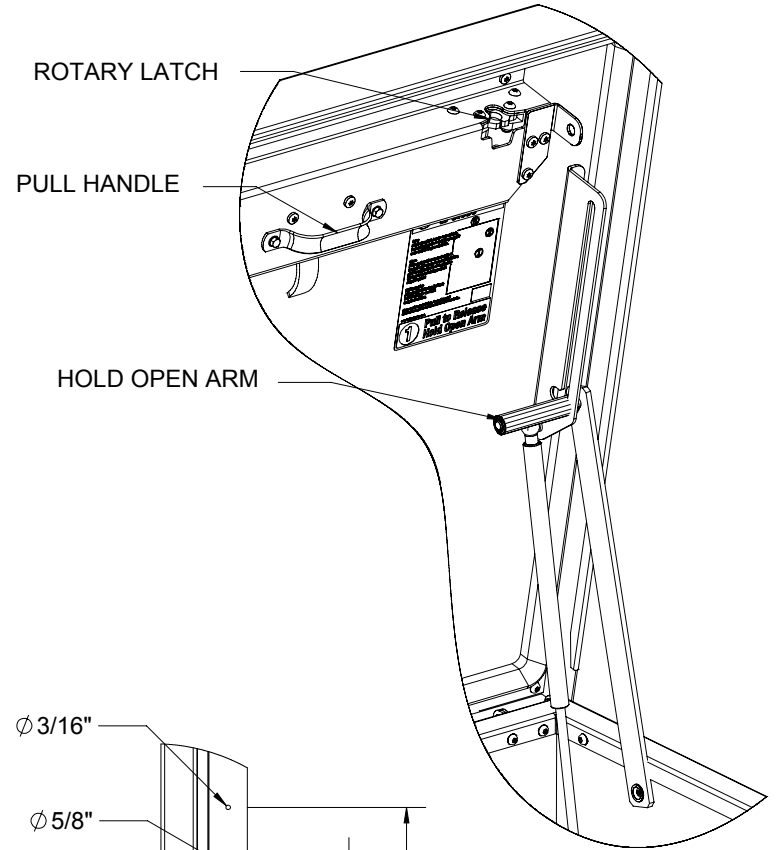
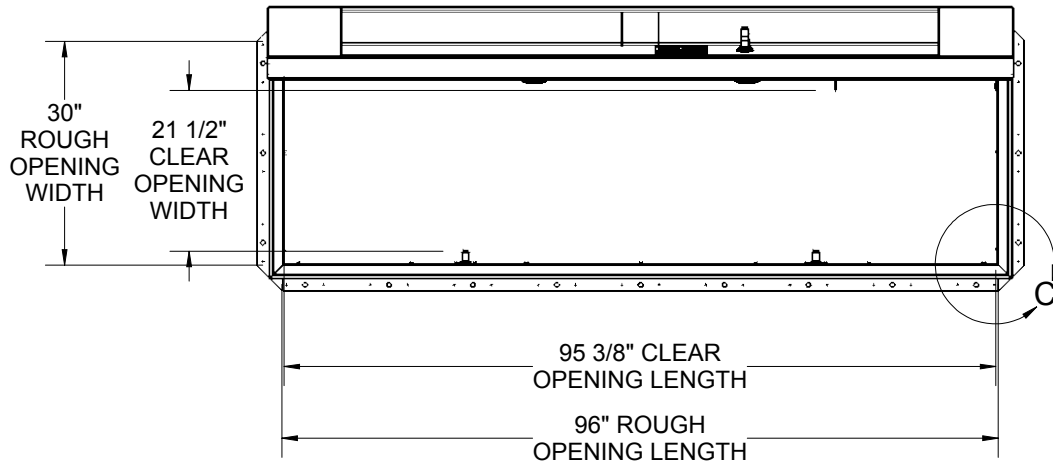
**MIAMI-DADE COUNTY**  
APPROVED

**MIAMI DADE ACCEPTANCE NO: 21-1201.01**  
**EXPIRATION DATE: 5/25/2027**

**TEST CERTIFICATIONS:**

- TAS201-94 IMPACT TEST - CLASS IV
- TAS202-94 UNIFORM STATIC AIR PRESSURE
- TAS203-94 CYCLE WIND PRESSURE LOAD

PROJECT:			
ARCHITECT:			
CONTRACTOR:			
QTY:			
PART#:		<b>A3096</b>	
		TITLE: RHUA30X96S1T Roof Hatch, Personnel, 30x96, S Dr, Zinc Hdw, Alum, Mill, Sngl Wall Curb	
		9300 73rd Avenue North Minneapolis, MN 55428	
NAME	DATE	SIZE	DWG. NO.
DRAWN DWO	12/30/21	A	Nystrom RH A3096 ShpDr
RELEASED DWO	12/30/21	WEIGHT: 170.6 LBS	SHEET 1 OF 2



DETAIL C  
SCALE 1 : 8

			TITLE: RHUA30X96S1T Roof Hatch, Personnel, 30x96, S Dr, Zinc Hdw, Alum, Mill, Sngl Wall Curb		
9300 73rd Avenue North Minneapolis, MN 55428					
NAME	DATE	SIZE	DWG. NO.	REV	
DRAWN DWO	12/30/21	A	Nystrom RH A3096 ShpDr	A	
RELEASED DWO	12/30/21	WEIGHT: 170.6 LBS		SHEET 2 OF 2	