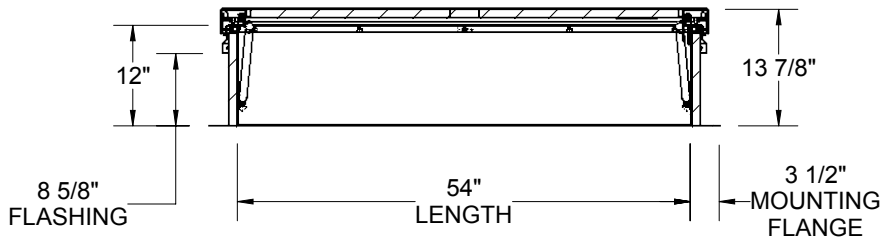
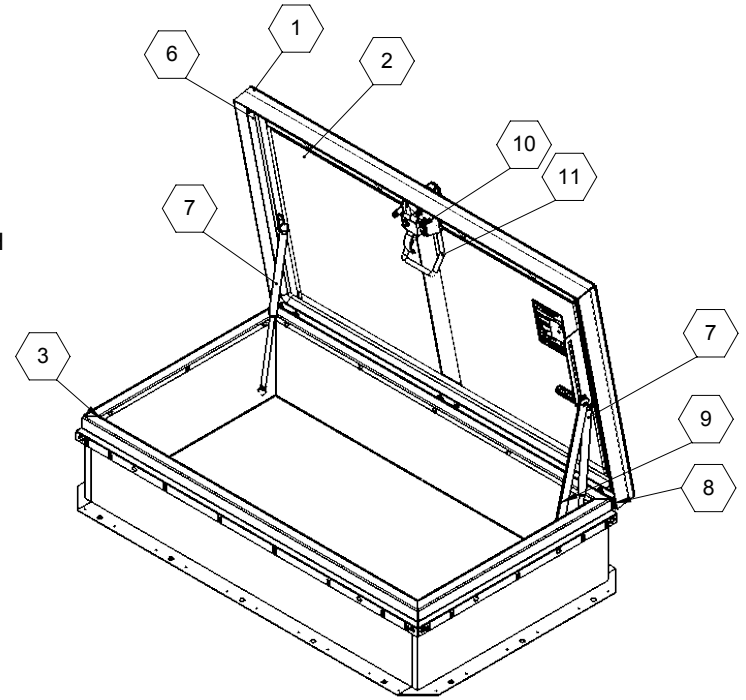


SECTION A-A



SECTION B-B

SPECIFICATIONS:

- ① **COVER:**
14 GA GALV STEEL, STIFFENED TO WITHSTAND A LIVE LOAD OF 40PSF WITH A MAX DEFLECTION OF 1/150 OF THE SPAN.
- ② **LINER:** 22 GA GALV STEEL
- ③ **CURB:** 14 GA GALV STEEL, CURB COUNTERFLASH WITH EZ TABS.
- ④ **FINISH:** GRAY PWD
- ⑤ **INSULATION:** 1" POLYISO R-6 (5.6 LTTR) IN CURB, 1" POLYSTYRENE R-4 (3.8 LTTR) IN COVER.
- ⑥ **GASKET:**
EXTRUDED EPDM RUBBER ADHESIVE BACKED GASKET SEAL CONTINUOUS AROUND COVER.
- ⑦ **SPRING:**
GAS SPRING WITH DAMPER FOR SMOOTH, CONTROLLED, COUNTERBALANCED LIFT ASSISTANCE.
- ⑧ **HINGE:** PINTLE HINGE WITH STAINLESS STEEL HINGE PINS.
- ⑨ **HOLD OPEN ARM:**
ZINC PLATED STEEL AUTOMATIC HOLD OPEN ARM LOCKS COVER IN FULLY OPEN POSITION WITH RED GRIP HANDLE PULL RELEASE.

⑩ **LATCH:**

ZINC PLATED STEEL SLAM LATCH, HOLDS COVERS CLOSED AGAINST WIND UPLIFT, INTERIOR AND EXTERIOR HANDLES WITH PADLOCK HASPS.

⑪ **PULL HANDLE:**

INTERIOR PULL DOWN HANDLE, SAFETY YELLOW POWDER COAT.

NOTES:

- WHEN INSTALLING ON A PITCHED ROOF UP TO 7:12, THE HINGE SIDE(LENGTH)MUST BE PARALLEL TO THE SLOPE.
- WIDTH X LENGTH DIMENSIONS ARE MEASURED INSIDE CURB TO INSIDE CURB. THE WIDTH IS HINGE TO LATCH AND LENGTH IS HINGED SIDE.


ROOF HATCH SIZE 30" (WIDTH) x 54" (LENGTH)

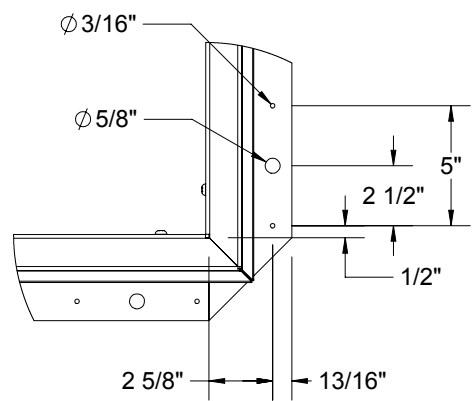
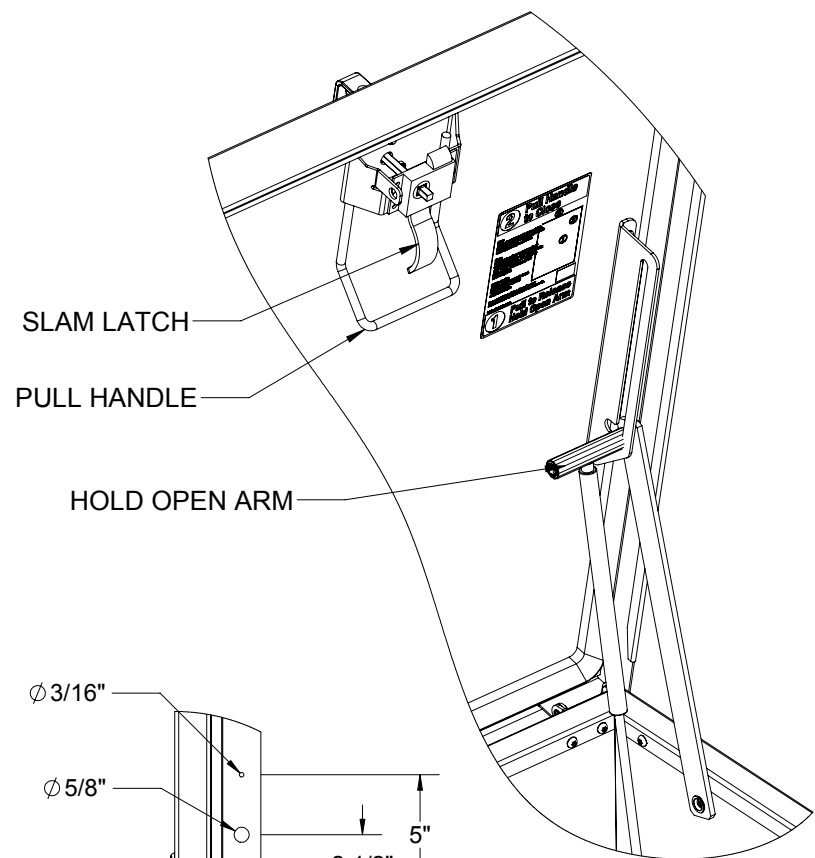
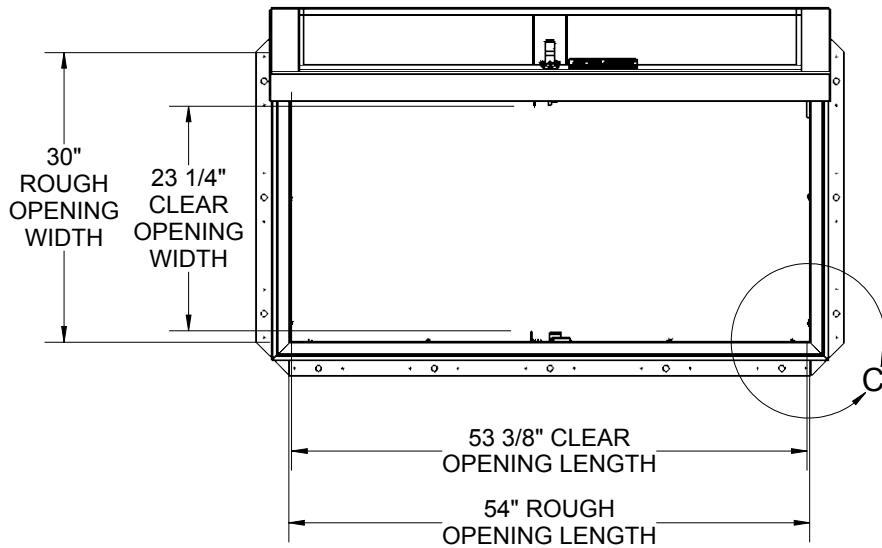
MIAMI-DADE COUNTY APPROVED

MIAMI DADE ACCEPTANCE NO: 21-1201.01
EXPIRATION DATE: 5/25/2027

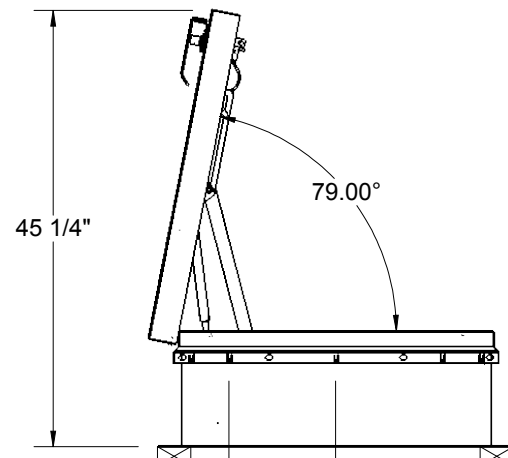
TEST CERTIFICATIONS:

- TAS201-94 IMPACT TEST - CLASS IV
- TAS202-94 UNIFORM STATIC AIR PRESSURE
- TAS203-94 CYCLE WIND PRESSURE LOAD

PROJECT:				
ARCHITECT:				
CONTRACTOR:				
QTY:				
PART#:		G3054		
		TITLE: RHUG30X54S1T Roof Hatch, Personnel, 30x54, S Dr, Zinc Hdw, Galv, Gray Pwd, Sngl Wall Curb		
9300 73rd Avenue North Minneapolis, MN 55428				
NAME	DATE	SIZE	DWG. NO.	REV
DRAWN DWO	1/4/22	A	Nystrom RH G3054 ShpDr	A
RELEASED DWO	1/4/22	WEIGHT: 213.1 LBS		SHEET 1 OF 2



DETAIL C
SCALE 1 : 8



EZ TAB TO SECURE MEMBRANE VARIES 5"-8"

WOOD, CONCRETE, OTHER MATERIAL FOR MOUNTING BY OTHERS (NIC)

			TITLE: RHUG30X54S1T Roof Hatch, Personnel, 30x54, S Dr, Zinc Hdw, Galv, Gray Pwd, Sngl Wall Curb		
9300 73rd Avenue North Minneapolis, MN 55428					
NAME	DATE	SIZE	DWG. NO.	REV	
DRAWN	DWO	1/4/22	A	Nystrom RH G3054 ShpDr	
RELEASED	DWO	1/4/22	WEIGHT: 213.1 LBS	SHEET 2 OF 2	