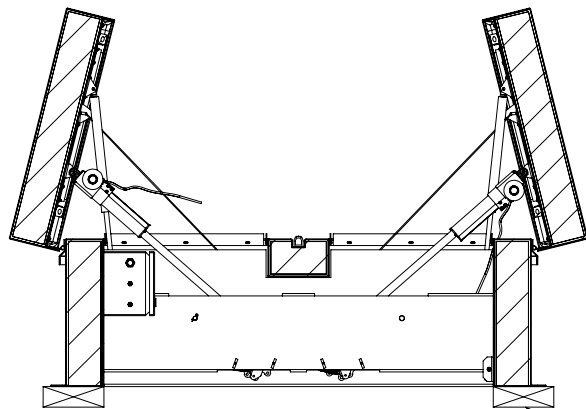
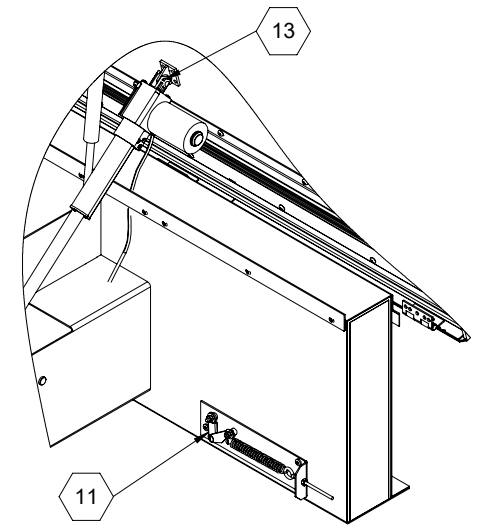


DETAIL G
SCALE 1 : 10



SECTION C-C

WOOD, CONCRETE, OTHER MATERIAL FOR MOUNTING BY OTHERS (NIC)

			TITLE: Smoke Vent, Acoustical STC50,		
9300 73rd Avenue North Minneapolis, MN 55428			Galvn Steel, Black Pwd, Gray Pwd Cvr Ext, Dbl Wall Curb,		
NAME	DATE	SIZE	DWG. NO.	REV	
DRAWN		A	Nystrom SV SVZG_X_D2A_L ShpDr	-	
RELEASED		WEIGHT: VARIES			SHEET 2 OF 2